

Swing-N-Slide®

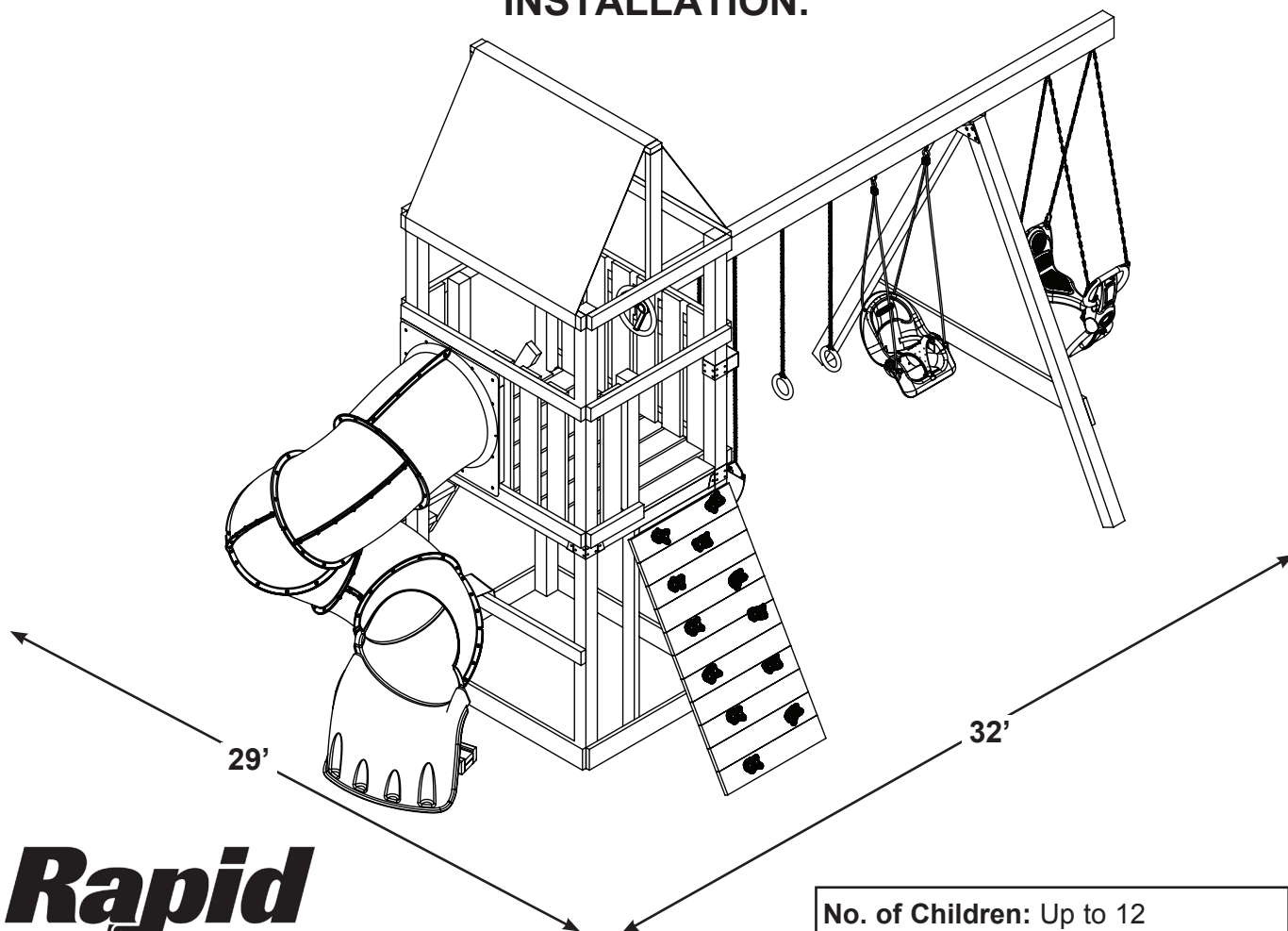


NE 5007

ASSEMBLY INSTRUCTIONS

STOP:

THIS IS NOT A COMPLETE PLAN. FOLLOW THE PROJECT 613 ASSEMBLY PLAN UP TO PAGE 46, OMITTING THE SLIDE INSTALLATION.



**Rapid
Loc™
System**

No. of Children: Up to 12
Min. Use Zone: 32' x 29'
Set Dim. 20'W x 10'L x 13'H
Est. Building Time: 5-10 hr.

To register your product visit:

<http://www.swing-n-slide.com>

Other benefits include information on product warranties, assembly plan updates, joining our mailing list for new products and promotions, receiving our newsletter, and providing feedback on products.

Swing•N•Slide • 1212 Barberry Drive • Janesville, Wisconsin 53545

Visit our web site at: www.swing-n-slide.com or call us at

1-800-888-1232

Observing the following statements and warnings reduces the likelihood of serious or fatal injury

Installation Safety – Have You:

- Consulted the assembly instructions supplied with your particular model?
- Noted this accessory is to be used only on Swing-N-Slide approved designs? (Do not alter its design or add/remove components.)
- Made sure all hardware is tightened securely? (Supplied bolt covers must also be fastened securely.)
- Using a hacksaw, cut off all protruding threaded ends of bolts and other fasteners and remove any sharp edges with a metal file as needed, and coated fastener ends with lead free paint?
- Placed the equipment on level ground, not less than six feet (1.8 meters) from any structure or obstruction such as a fence, garage, house, overhanging branches, laundry lines, or electrical wires?
- Made sure home playground equipment is not installed over concrete, asphalt, packed earth or any other hard surface? (A fall onto a hard surface can result in serious injury to the equipment user.)
- Verified that suspended climbing ropes, chain, or cable are securely anchored at both ends and cannot be looped back upon itself?
- Consulted in assembly instructions of your particular model for minimum use zones?
- Used a water sealant on your play set to protect the wood and prevent cracking and warping?
- Followed all anchoring and shock absorbing surfacing requirements on the back of this sheet as they apply?
- Made sure not to allow children to use equipment until it is properly installed?
- Made sure to adjust all swings so there is a minimum 8" clearance between the swing and the ground surface?

Operating Safety – Have You:

- Determined that on-site adult supervision is provided for children of all ages?
- Warned children the following before allowing them to use the equipment?
 - Not to walk close to, in front of, behind or between moving items.
 - Not to twist swing or any other accessory chains or ropes or loop them over the top support bar since this will reduce the strength of chain or rope.
 - Not to swing empty seats or other accessories.
 - Not to slide down swing chains.
 - Be sure to sit in the center of the swing seat and other accessories with full weight on the seat.
 - Not to attach items to the playground equipment that are not specifically designed for use with the equipment such as but not limited to, jump ropes, clotheslines, pet leashes, cables and chain. They may cause a strangulation hazard.
 - Not to climb or walk on the top of swing beams, railings or roof.
 - Not to use equipment in a manner other than intended.
 - Not to get off equipment while it is in motion.
 - Not to climb on the equipment when it is wet.
 - Be sure to go down slides feet first.
- Determined that only one child per planned occupant seat should be allowed on this set at one time.
- Determined children must be dressed appropriately for play. Avoid hooded jackets, bicycle or other sports helmets, clothing with draw strings and loose fitting clothes which could become entangled or snagged on equipment.
- Determined that suspended climbing ropes, chain, or cable are securely anchored at both ends and cannot be looped back upon itself.
- Made certain the slide is placed so that is is not in direct sunlight.

Safety Maintenance – Follow these preventive maintenance instructions at the intervals required:

- To prevent the deterioration of materials, remove plastic swing seats and other plastic accessories when outdoors temp dips down to or below 32° F and take indoors. Reinstall these plastic elements at the beginning of each play season.
- At the beginning of each play season check metal parts for rust. If found, sand and repaint using a non lead-based paint meeting the requirements of 16 CFR 1303 or SOR/2005-109.
- At the beginning of each play season and once a month during each play season, check all moving parts for wear, rust or other deterioration. Replace as needed. If any of these conditions exist, call 1-800-888-1232 to order replacement accessories.
- At the beginning of each play season and once a month during each play season lubricate metallic moving parts.
- At the beginning of each play season and twice a month during each play season, check all protective coverings on bolts, pipes, edges, and corners. Replace if they are loose, cracked, or missing.
- At the beginning of each play season and twice a month during each play season, rake and check depth of loose fill protective surfacing material to prevent compaction and maintain appropriate depth. Replace as necessary.
- At the beginning of each play season and twice a month during each play season tighten all hardware.
- At the beginning of each play season and twice a month during each play season, check all wood members for deterioration and splinters. Sand down splinters and replace deteriorating wood members.

Disposal Instructions

When the equipment is taken out of service, it must be disassembled and disposed of in such a way that no unreasonable hazards will exist at the time the set is discarded.

**Important! Additional Safety Instructions for all Swing-N-Slide Playground Equipment.
Save this instruction sheet in the event the manufacturer needs to be contacted.**

This product is intended for single family home/residential use only and not intended for use in any public setting. Placement in any public setting constitutes a misuse of this product.

IMPORTANT!

ADDITIONAL REQUIRED SAFETY INSTALLATION INSTRUCTIONS

According to ASTM requirements, all kits must be anchored to the ground and, if the unit has a climbing rope, the rope end must be anchored to the ground. If soil conditions permit stakes to be pulled out easily, cementing into ground is necessary.

- **To anchor the unit to the ground.** Follow the instructions included in this plan for applying Anchor-It devices to your unit, or use 2" x 4" x 18" (45mm x 95mm x 457mm) pressure-treated stakes. Pound stakes into ground at least 12" (305mm) at all inside corners of the posts (including A-frame legs and climbing unit posts). Attach with four (4) 16D (3-1/2") galvanized nails per stake into each tower and/or A-frame upright.
- **If the unit has a climbing rope,** securely anchor the rope at both ends.
- **Once the unit is completely assembled and before children are allowed to play on it, proper shock-absorbing surfacing material must be installed.** This may be accomplished by using loose-fill materials at a sufficient depth. The Consumer Product Safety Commission "Handbook for Public Playground Safety" lists the following materials and required depths that are sufficient for home/residential application. Supplemental information may be found in ASTM F1292. For fall height protection up to 9 ft. (2.742m) [recommended for Swing-N-Slide kits]:

<u>LOOSE FILL MATERIAL</u>	<u>REQUIRED (UNCOMPRESSED) DEPTH</u> in. (mm)
Wood Mulch	9" (229mm)
Double Shredded Bark Mulch	9" (229mm)
Uniform Wood Chips	12" (305mm)

These depths were derived from the CPSC Handbook. Swing-N-Slide has not done independent tests to determine these required depths.

When properly installed, shock absorbing material will completely cover the horizontal baseboards on climbing units. This protective surfacing must extend a **minimum** of 6 ft. (1.828m) in all directions from the perimeter of the equipment or from the outermost edges of any component. For example, a slide extending beyond the platform must have protective surfacing at least 6 ft. (1.828m) out from both sides as well as the end. For swings, the protective surface must extend **at least 14 ft. (6m)** out from **both** the back and front of the swing when the swing is in its rest position.

For further information on playground safety, the Consumer Product Safety Commission (CPSC) publishes the Outdoor Home Playground Safety Handbook which can be downloaded for free from www.cpsc.gov. An additional resource is the American Society of Testing and Materials (ASTM) Standard Consumer Safety Performance Specification for Home Playground Equipment (ASTM F1148) which can be purchased and downloaded from www.astm.org.

Swing-N-Slide® MANUFACTURERS LIMITED WARRANTY

Swing-N-Slide® takes great pride in the quality and durability of our products. Our Manufacturer's Limited Warranty provides confidence and demonstrates our commitment to providing quality residential playground products.

MANUFACTURER'S LIFETIME LIMITED WARRANTY

Swing-N-Slide® warrants its thermoformed slides and climbing mountains to be free from defects in workmanship and materials, under normal use and conditions, for the lifetime of the product.

MANUFACTURER'S 5 YEAR LIMITED WARRANTY

Swing-N-Slide® warrants its Custom Ready-to-Build Play Set kits and accessories to be free from defects in workmanship and materials, under normal use and conditions, for a period of 5 years.

MANUFACTURER'S 5 YEAR LIMITED WARRANTY

Swing-N-Slide® warrants its No-Cut and Wood Complete Ready-to-Assemble Play Set kits against wood rot and termite damage, and to be free from defects in workmanship and materials, under normal use and conditions, for a period of 5 years for structural wood components.

Cosmetic defects that do not affect the structural integrity of the product, or natural defects of wood such as warping, splitting, checking, twisting, shrinkage, swelling or any other physical properties of wood that do not present a safety hazard, are not covered by this warranty.

MANUFACTURER'S ONE YEAR WARRANTY

Swing-N-Slide® warrants its canopy roofs and/or tarps, and Timber GLOVE lumber wrap to be free from defects in workmanship and materials, under normal use and conditions, for a period of one year.

Swing-N-Slide® will repair, or at its discretion, replace any part within the stated warranty period which is defective in workmanship or materials. This decision is subject to verification of the defect upon delivery of the defective part to Swing-N-Slide® at 1212 Barberry Drive, Janesville, Wisconsin, 53545. Any part(s) returned to Swing-N-Slide® must have prior approved Return Authorization Number and proof of purchase, including the date of purchase. This warranty is valid only if the product is used for the purpose for which it was designed and installed at a residential, single family dwelling. This warranty is void if the product is put to commercial or institutional use. This

warranty does not cover (a) products which have been damaged by acts of Nature, negligence, misuse, or accident, or which have been modified or repaired by unauthorized persons; (b) the cost of labor; or the cost of shipping the product, any part, or any replacement product or part.

Swing-N-Slide® DISCLAIMS ALL OTHER REPRESENTATIONS AND WARRANTIES OF ANY KIND, EXPRESS, IMPLIED, STATUTORY OR OTHERWISE, INCLUDING THE

IMPLIED WARRANTIES OF MERCHANTABILITY AND FITNESS FOR A PARTICULAR PURPOSE. Swing-N-Slide® WILL NOT BE LIABLE FOR ANY INCIDENTAL OR CONSEQUENTIAL DAMAGES. This warranty is non-transferable and does not extend to the owners of the product subsequent to the original purchaser. Some states do not allow limitations on implied warranties or exclusion of incidental or consequential damages, so these restrictions may not be applicable to you. This warranty gives you specific legal rights. You may also have other rights, which vary from state to state.

This warranty also does not apply to:

- Structures not erected, maintained or inspected in conformance with **Swing-N-Slide®** installation plans
- Structures that have had parts added or substituted not in conformance with **Swing-N-Slide®** installation plans
- Parts that have been modified, altered or misused
- Parts that have not been used as designed or intended
- Damage due to acts of Nature, vandalism, abnormal use or abuse as determined by **Swing-N-Slide®**

PROJECT 615

ALPINE 615 PROJECT LUMBER LIST

THIS LIST IS IN ADDITION TO LUMBER REQUIRED BY PROJECT 613

(3) 2" x 4" x 8'

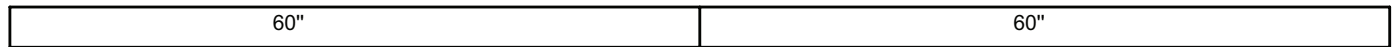
(2) 2" x 4" x 10'

(3) 5/4" x 6" x 10'

ALPINE ROCK WALL LUMBER



(1) 2" x 4" x 96"



(1) 2" x 4" x 120"

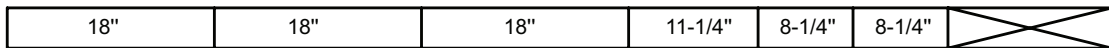


(3) 5/4" x 6" x 120"

ALPINE TURBO LUMBER



(1) 2" x 4" x 96"



(1) 2" x 4" x 96"



(1) 2" x 4" x 120"

How to select the correct fastener

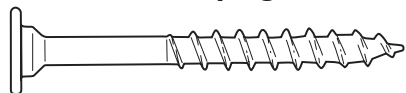
Use these 3 pictorial guides to help select the correct fastener(s) for the lumber attachment you are making. Each diagram will highlight the correct number of fasteners to use, and where to attach them.

5/4" x 6" to 4" x 4"



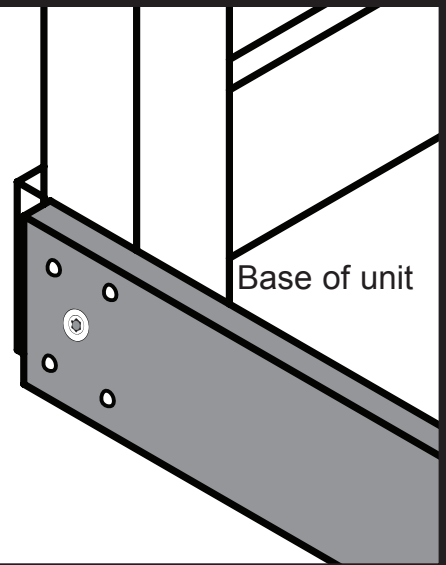
(4) 2-1/2" screws

Apply the 2-1/2" screws to secure the 5/4" boards to the 4"x4" uprights as shown.



(1) 2" lag screw

After attaching the 2 1/2" screws, apply the center (1) 2" lag screw as shown for additional support.

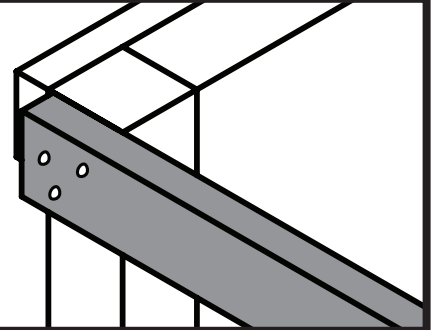


2" x 4" to 4" x 4"



(3) 2-1/2" screws

Apply 2 1/2" screws to the 2"x4" boards when attaching to 4"x4" uprights.

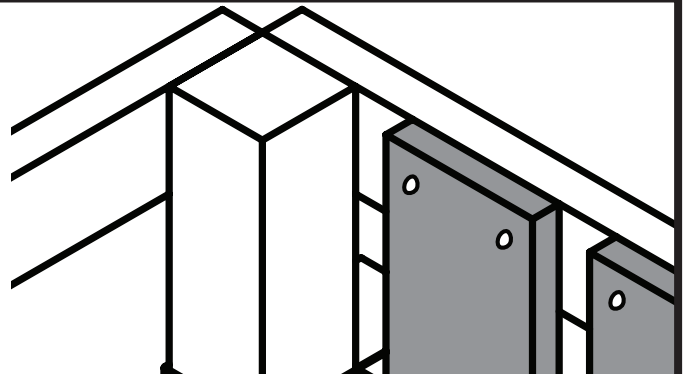


5/4" x 6" to 2" x 4"



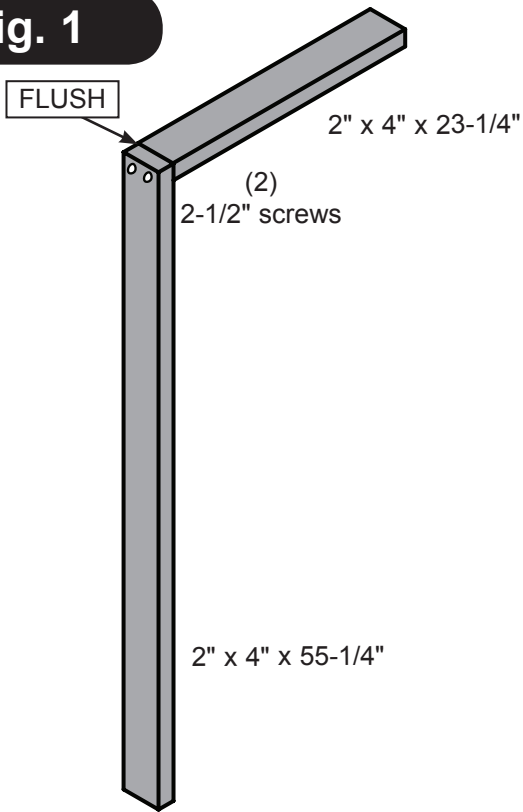
(2) 2" screws

Use 2" screws when mounting 5/4" boards to 2"x4" boards.



PROJECT 615

Fig. 1



2-1/2" screw



(4) 2-1/2" screws

Rock Wall Support

1. Assemble the Rock Wall Support as shown in (Fig. 1).
2. Install the Rock Wall Support as shown in (Fig. 1a).

Fig. 1a

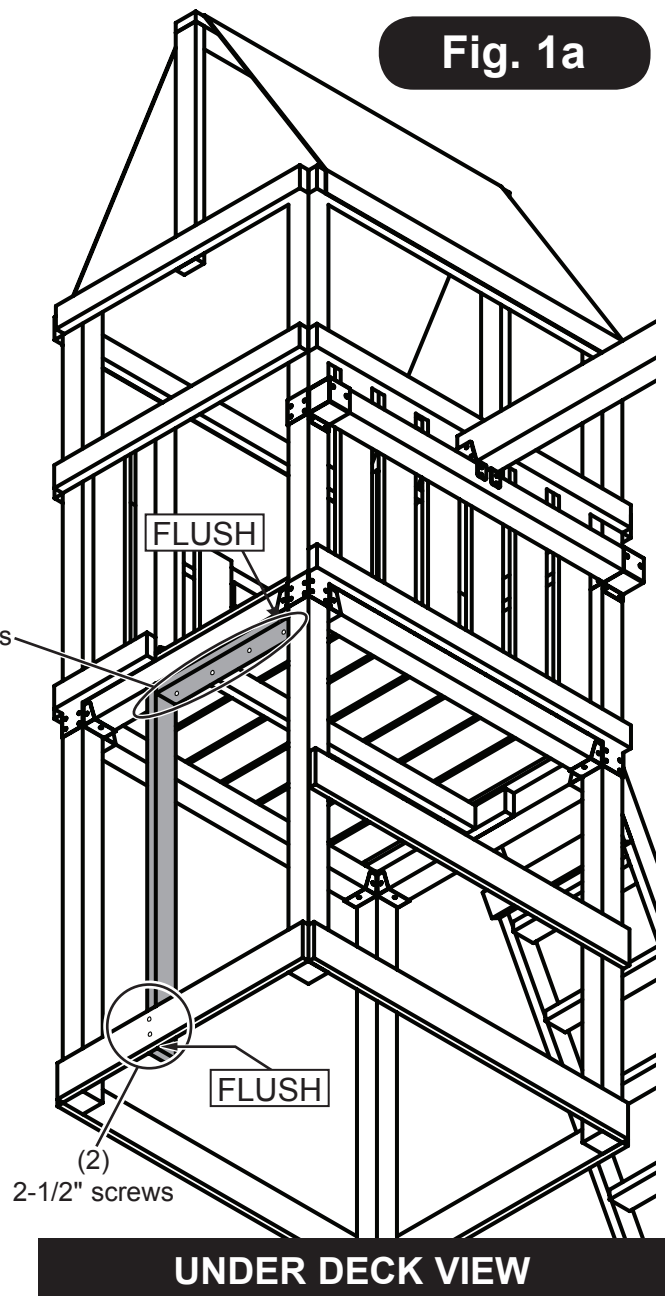
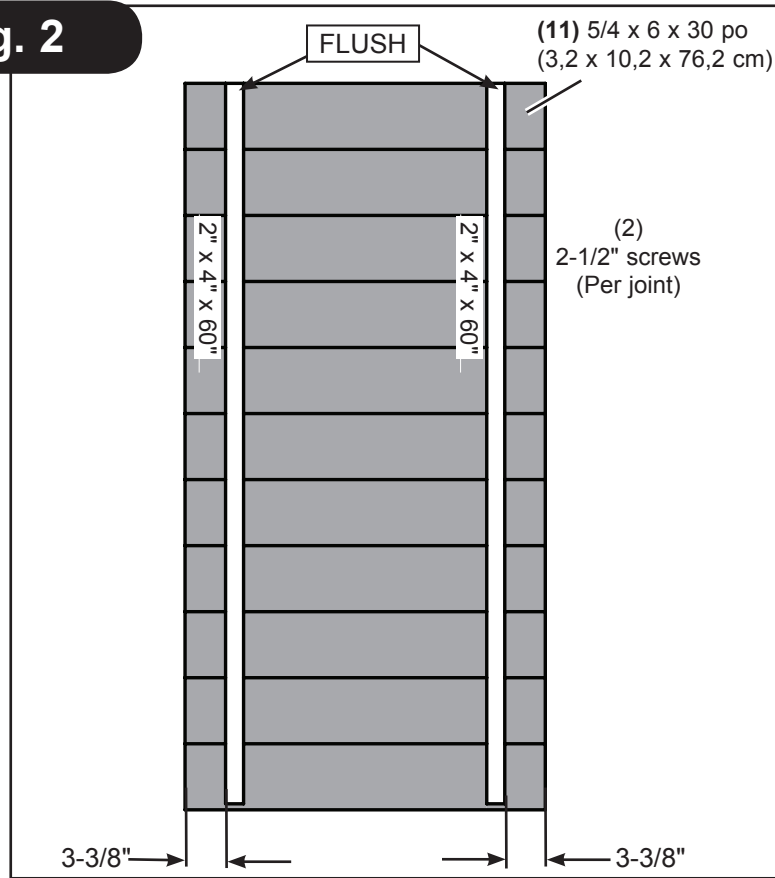


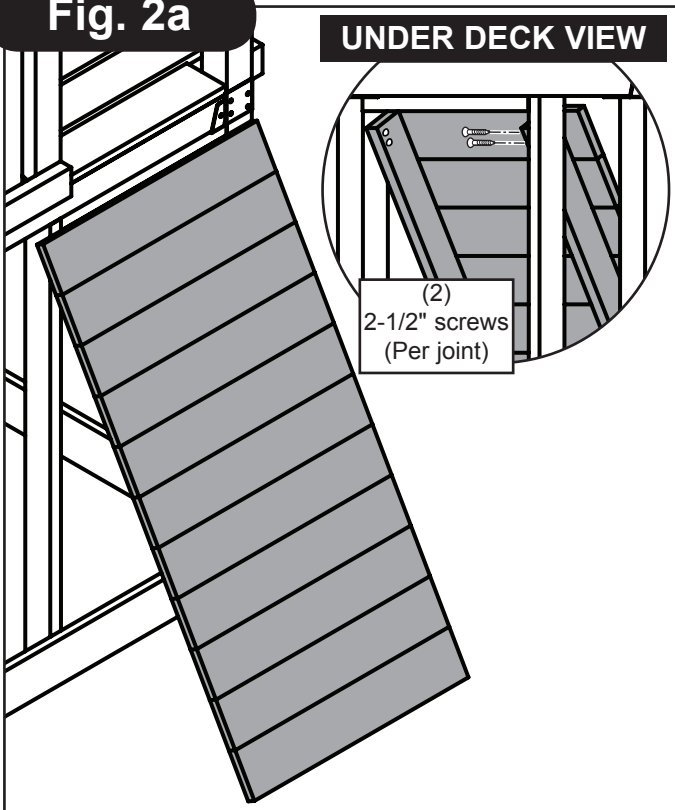
Fig. 2



2-1/2" screw



Fig. 2a



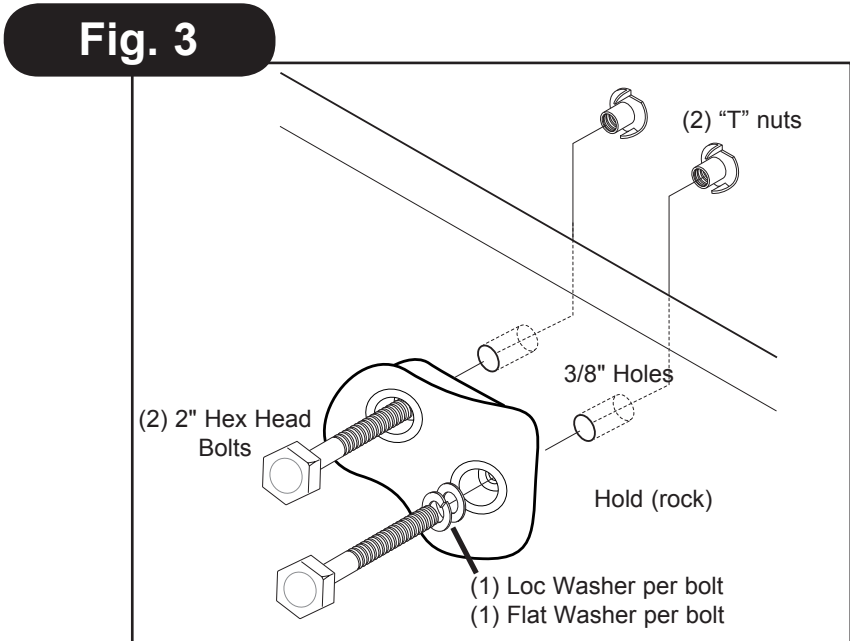
NOTE:
5' Climbing Rock Wall will require
12 Climbing Rocks
(3) Bags of NE 4543S Climbing Rocks.

Rock Wall Assembly

1. Assemble Rock Wall as shown in (Fig. 2).
2. Install Rock Wall on unit as shown in (Fig. 2a).

Note: Make sure the 2" x 4" supports do not interfere with the mounting of the climbing rocks.

Climbing Rock



Climbing Rock Installation

1. Mark locations of Climbing Rocks on the Climbing Wall in a pattern that will easily allow your child to climb to the deck. Make sure the bolt hole locations are clear of wall supports before drilling.
2. Drill holes through the wall at the desired locations using a 3/8" drill bit. Install Climbing Rocks as shown in **(Fig. 3)**.
3. Make sure the Climbing Wall and Climbing Rock connections are secure before allowing any children to play on the Climbing Wall.

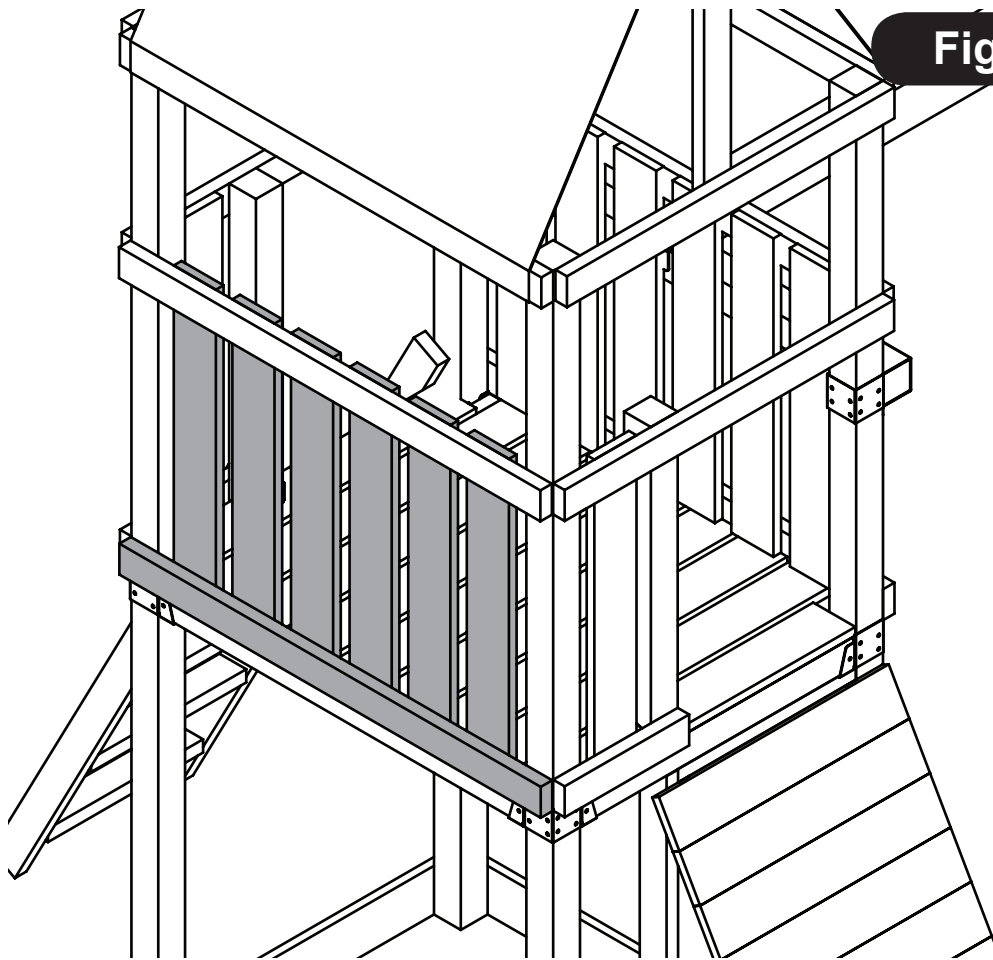


Fig. 4

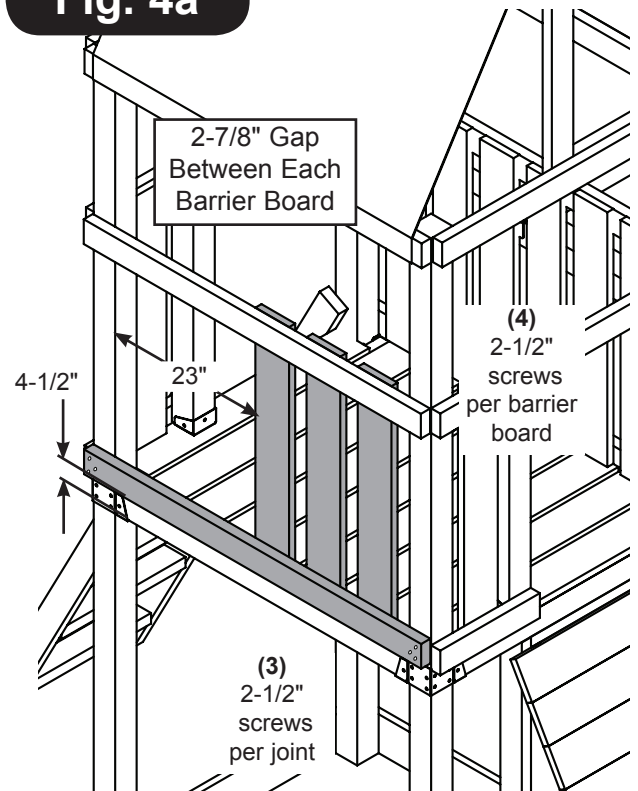


2-1/2" screw

Slide Barrier Construction

1. **Carefully** remove your Barrier Support Board and (6) Barrier Boards from the back barrier to place your slide, as shown in **(Fig. 4)**. **Retain** this lumber and fasteners as you will need them in the next step.
Note: Make certain you will have a clear 72" Safety Zone from the exit of your slide. Reference your Turbo Tube Slide Plan for further information.
2. **Reattach** your Barrier Support Board and Barrier Boards, making certain they are evenly spaced, as shown in **(Fig. 4a)**.

Fig. 4a



PROJECT 615

Fig. 5

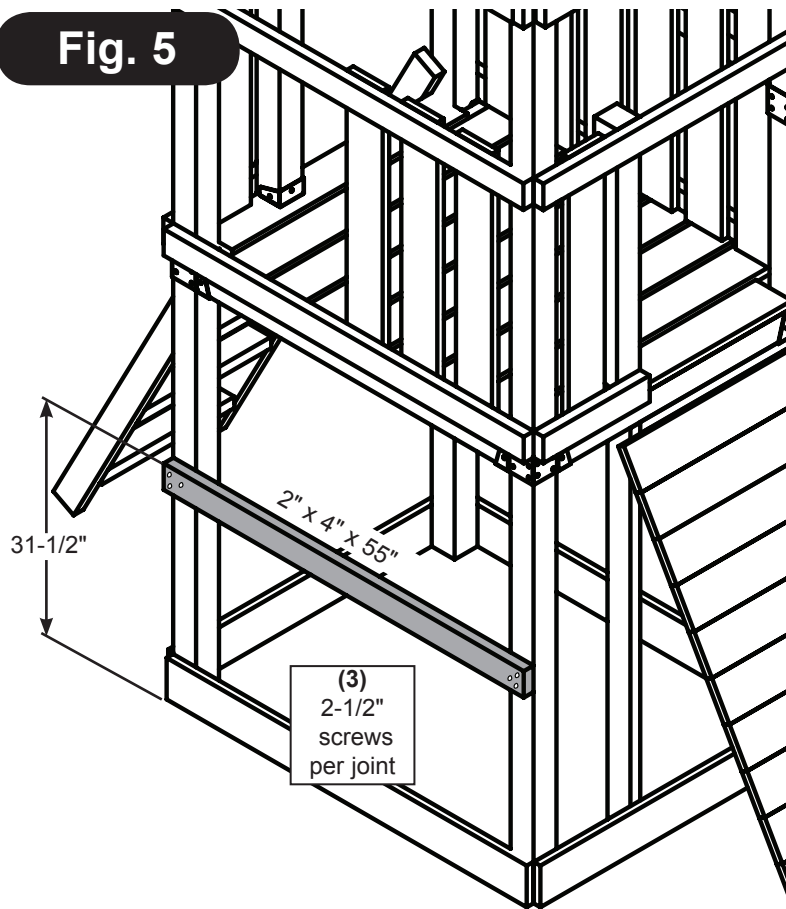
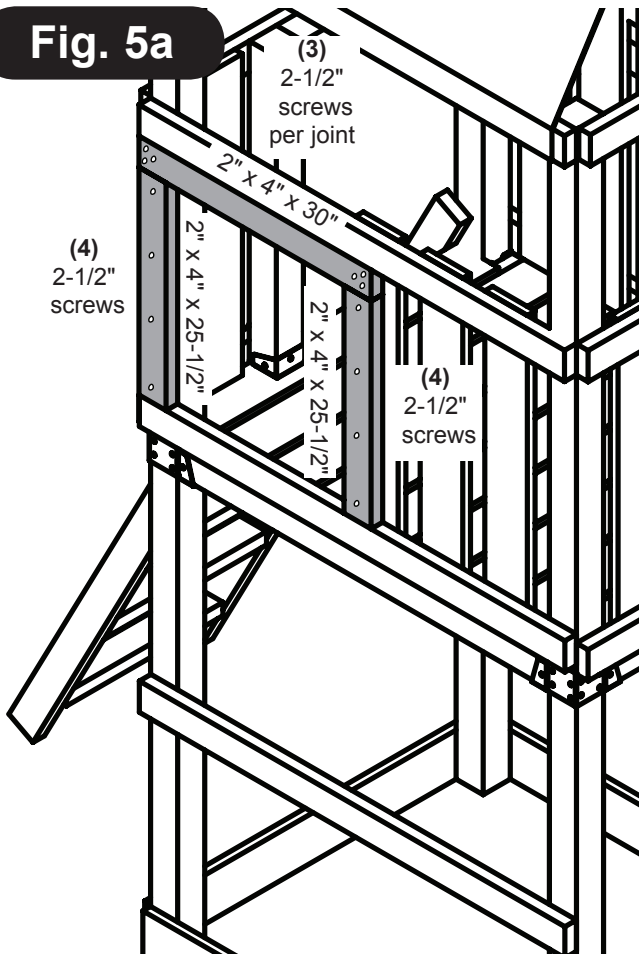


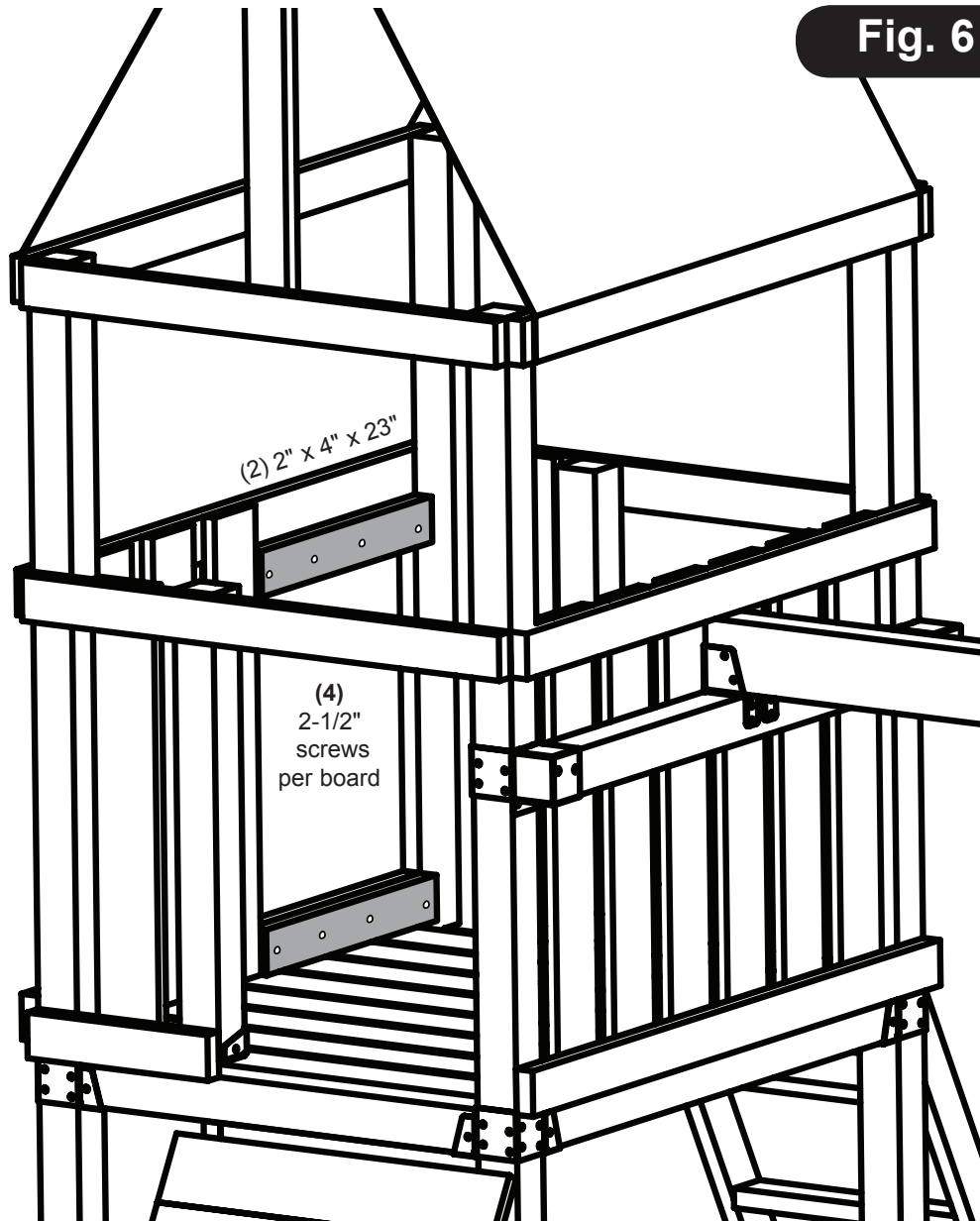
Fig. 5a



Slide Barrier Construction

1. Attach the Turbo Tube Slide Support Board as shown in (Fig. 5) and (Fig. 5a).

Fig. 6



INSIDE VIEW OF SLIDE ENTRANCE



2-1/2" screw

Slide Barrier Construction

1. Install interior slide barrier support boards shown in (Fig. 6).
2. Refer to the 5' Turbo Tube Slide Plan for instructions on assembling the Turbo Tube Slide and Footer Assembly.

REFERENCE THE PLAN PICTURED FOR SLIDE ASSEMBLY

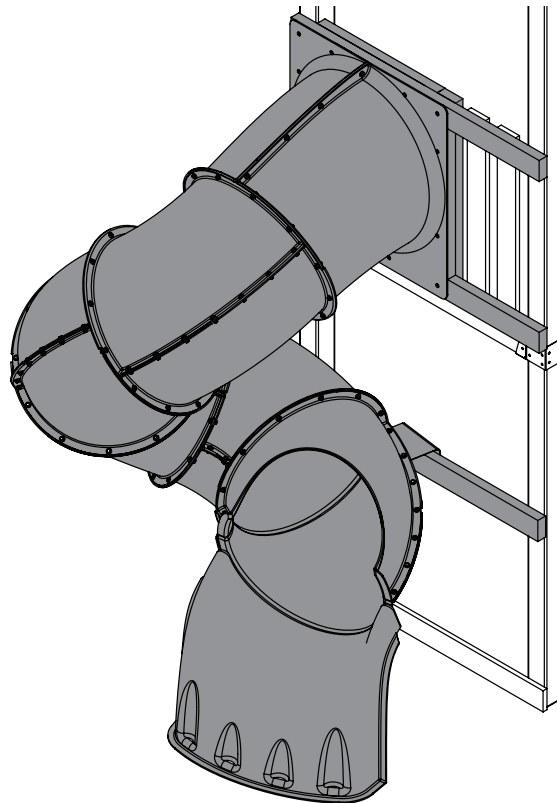
Swing-N-Slide® ASSEMBLY INSTRUCTIONS

5' Turbo Tube Slide

Note: This accessory is designed to fit a 5' Deck height only.

C A U T I O N

- Do not climb on the outside of the slide
- This slide is designed for home use only, not for Public Playgrounds
- Product intended for children ages from 2-10 years old.



IMPORTANT!!

PLEASE READ BEFORE BEGINNING ASSEMBLY!!

Please make sure all lumber, hardware and accessory parts are accounted for. If you are missing anything, please **DO NOT RETURN** to the store where purchased. Please call our Customer Service Department at the number below.

To register your product and download unit specific Turbo Tube Slide instructions, visit:

<http://www.swing-n-slide.com>

Other benefits include information on product warranties, assembly plan updates, joining our mailing list for new products and promotions, and providing feedback on products.

Swing•N•Slide • 1212 Barberry Drive • Janesville, Wisconsin 53545
Visit our web site at: www.swing-n-slide.com or call us at

1-800-888-1232

INSTRUCCIONES DE ENSAMBLAJE

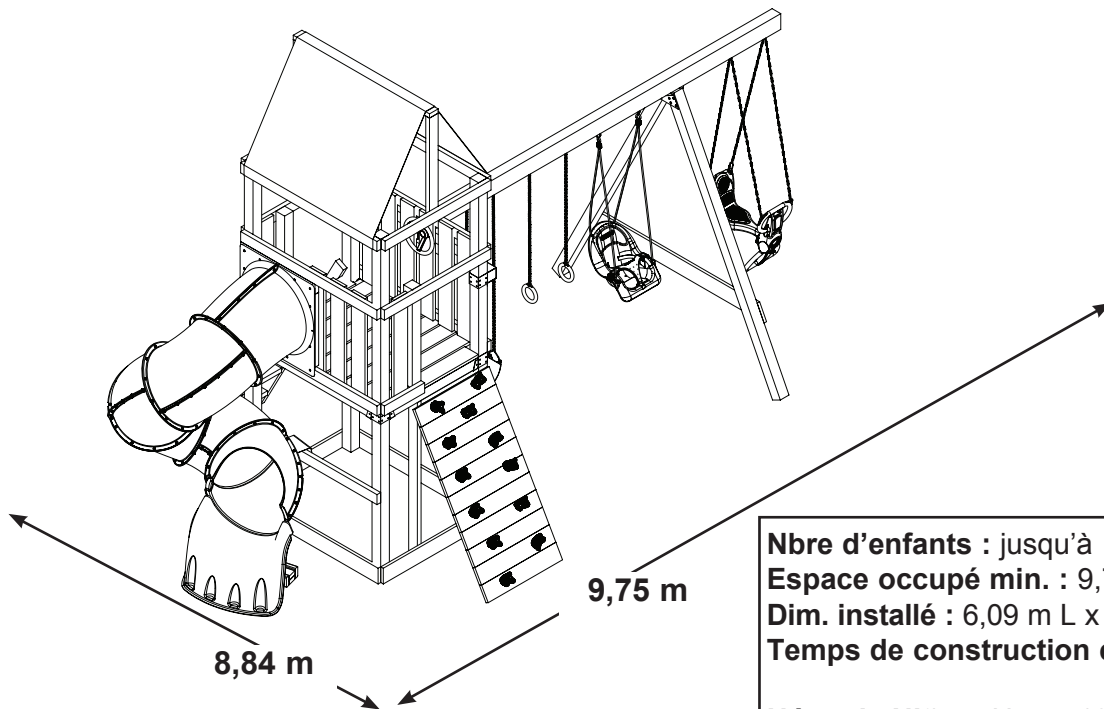
¡ALTO!

ESTO NO ES UN PLAN COMPLETO. SIGUE EL PLAN DE ENSAMBLAJE DEL PROYECTO 613 HASTA LA PÁGINA 46, OMITIENDO LA INSTALACIÓN DEL TOBOGÁN.

INSTRUCTIONS D'ASSEMBLAGE

ARRÊT :

CECI N'EST PAS UN PLAN COMPLET. SUIVEZ LE PLAN D'ASSEMBLAGE DU PROJET 613 JUSQU'À LA PAGE 46, EN OMETTANT L'INSTALLATION DE LA GLISSADE.



Nbre d'enfants : jusqu'à 12
 Espace occupé min. : 9,75 m x 8,83 m
 Dim. installé : 6,09 m L x 3,04 m l x 4 m H
 Temps de construction est. : 5 à 10 h

Núm. de Niños: Hasta 12
 Mín. Zona de Uso: 9,75 m x 8,83 m
 Dimensiones del Juego: 6,09 m de Ancho x
 3,04 m de Largo x 4 m de Alto
 Tiempo Estimado de Instalación: de 5 a 10 horas

**Rapid
 Loc**
 System

Para registrar su producto, visite:

<http://www.swing-n-slide.com>

Se incluyen otros beneficios, como información sobre las garantías del producto, actualizaciones del plan de ensamblaje, unirse a nuestra lista de correo para nuevos productos y promociones, recibir nuestro boletín de noticias y proporcionar comentarios sobre los productos.

Pour enregistrer votre produit, visitez :

<http://www.swing-n-slide.com>

Vous y trouverez également de l'information sur les garanties de produit, des plans d'assemblage actualisés, la possibilité de vous abonner à notre liste d'envoi pour nouveaux produits et promotions et pour la réception de notre bulletin d'information, et la possibilité de nous envoyer des commentaires sur les produits.

Swing•N•Slide • 1212 Barberry Drive • Janesville, Wisconsin 53545

Visite nuestro sitio web en www.swing-n-slide.com o llámenos al

Visitez notre site Web au www.swing-n-slide.com ou appelez-nous au

1-800-888-1232

L'observation des déclarations et des avertissements suivants réduit les risques de blessures graves ou mortelles

Installation sécuritaire - Avez-vous :

- Consulté les instructions d'assemblage fournies avec l'unité de jeu?
- Noté que cet accessoire convient uniquement aux unités de jeu Swing-N-Slide approuvées? (ne modifiez pas sa composition et n'ajoutez ni ne retirez de composantes);
- Vérifié que toute la quincaillerie est solidement fixée en place? (les capuchons protecteurs de boulons fournis doivent également être solidement fixés);
- Utilisé une scie à métaux pour couper les extrémités des boulons ou autres fixations qui dépassent, limé tous les bords tranchants avec une lime métallique et recouvert l'extrémité des attaches avec de la peinture sans plomb?
- Placé l'équipement sur une surface plane et de niveau à une distance d'au moins 6 pieds (1,8 m) de toute structure ou de tout objet, comme une clôture, un garage, une maison, des branches d'arbre surplombantes, une corde à linge ou des fils électriques?
- Vérifié que l'équipement de jeu n'est pas installé sur un sol en béton, en asphalte, en terre compactée ni sur toute autre surface dure? (une chute sur une surface dure peut entraîner de sérieuses blessures à l'utilisateur de cet équipement);
- Vérifié que les cordes d'escalade suspendues, les chaînes ou câbles sont solidement ancrés aux deux bouts et ne peuvent pas s'enrouler sur eux-mêmes?
- Consulté les directives d'assemblage du modèle afin de connaître les zones d'utilisation minimales?
- Utilisé un scellant hydrofuge pour protéger le bois et prévenir l'apparition de fissures et de déformation sur votre ensemble de jeu?
- Respecté toutes les exigences d'ancrage et de recouvrement amortissant pertinentes qui figurent au verso de cette feuille?
- Interdit aux enfants d'utiliser l'équipement tant que l'assemblage n'est pas complètement terminé?
- Veillé à ajuster toutes les balançoires, afin qu'il y ait une distance minimum de 8 po (200 mm) entre la balançoire et la surface du sol?

Précautions d'utilisation – Vous devez :

- Assurer qu'un adulte est présent pour surveiller les enfants de tous âges.
- Aviser les enfants de respecter les consignes qui suivent avant de leur permettre d'utiliser l'équipement.
 - Ne pas marcher près ni en face des éléments mobiles, ni derrière ceux-ci.
 - Ne pas tordre la balançoire ou toute autre chaîne et corde accessoires et ne pas les entortiller sur la barre de soutien supérieure, car cela réduirait la résistance de la chaîne ou de la corde.
 - Ne pas balancer les sièges de balançoire ou d'autres accessoires lorsqu'ils sont vides.
 - Ne pas glisser le long des chaînes de la balançoire.
 - Vous assurer d'être assis bien au centre du siège de la balançoire et des autres accessoires avec votre poids entier sur le siège.
 - Ne pas attacher d'objets sur l'équipement de jeu qui ne sont pas spécifiquement conçus pour cet équipement tels que, mais sans s'y limiter, cordes à sauter, cordes à linge, laisses d'animaux, câbles et chaînes. Ils pourraient présenter des risques de strangulation.
 - Ne pas grimper ou marcher sur le dessus des poutres, des rampes ou du toit de la balançoire.
 - Veiller à ne pas utiliser l'équipement à des fins autres que celles prévues.
 - Ne pas descendre de l'équipement lorsqu'il est en mouvement.
 - Ne pas grimper sur l'équipement lorsqu'il est mouillé.
 - Veiller à descendre les pieds devant.
- Vous assurer qu'un seul enfant à la fois, par siège, doit être permis sur cet équipement.
- Déterminé que les enfants doivent être habillés convenablement pour jouer. Évitez les vestes à capuchon, casques de bicyclette ou d'autres sports, les vêtements avec des cordons et les vêtements amples qui pourraient s'emmêler ou s'accrocher sur l'équipement.
- Déterminé que les cordes d'escalade suspendues, les chaînes ou câbles sont solidement ancrés aux deux bouts et ne peuvent pas s'enrouler sur eux-mêmes.
- Vous assurer que la glissoire est installée de façon à ne pas être exposée à un ensoleillement direct.

Entretien de sécurité – Suivez ces consignes d'entretien préventif aux intervalles de temps requis :

- Pour empêcher la détérioration des matériaux, retirez les sièges de balançoire en plastique et les autres accessoires en plastique lorsque les températures extérieures descendent jusqu'à ou en dessous de 0 °C (32 °F) et rentrez-les à l'intérieur. Réinstallez ces éléments en plastique au début de chaque saison de jeux à l'extérieur.
- Au début de chaque saison de jeux à l'extérieur, inspectez les pièces métalliques à la recherche de rouille. Si vous trouvez des parties rouillées, poncez-les et repeignez-les avec une peinture sans plomb conforme aux exigences de la norme 16 CFR 1303 ou SOR/2005-109.
- Au début de chaque saison de jeux à l'extérieur et une fois par mois pendant chaque saison, inspectez les pièces mobiles à la recherche d'usure, de rouille ou toute autre détérioration. Remplacez-les selon les besoins. Si une de ces conditions existe, appelez le 1 800 888-1232 pour commander les accessoires de rechange.
- Au début de chaque saison de jeux à l'extérieur et une fois par mois pendant chaque saison, lubrifiez les pièces métalliques mobiles.
- Au début de chaque saison de jeux à l'extérieur et deux fois par mois pendant chaque saison, inspectez toutes les protections couvrant les boulons, tuyaux, rebords et coins. Remplacez-les si elles sont desserrées, fissurées ou manquantes.
- Au début de chaque saison de jeux à l'extérieur et deux fois par mois pendant chaque saison, ratissez et vérifiez la profondeur du matériau particulaire de revêtement de protection pour en prévenir le compactage et maintenir une profondeur appropriée. Remplacez si nécessaire.
- Au début de chaque saison de jeux à l'extérieur et deux fois par mois pendant chaque saison, resserrez toutes les pièces de quincaillerie.
- Au début de chaque saison de jeux à l'extérieur et deux fois par mois pendant chaque saison, inspectez tous les éléments en bois à la recherche de détérioration et d'échardes. Poncez les échardes pour les éliminer et remplacez les éléments en bois détériorés.

Instructions pour la mise au rebut

Lorsque l'équipement est mis hors service, il doit être démonté et conditionné de sorte qu'aucun danger justifié ne sera présent lors de la mise au rebut de l'ensemble.

Important! Instructions supplémentaires de sécurité pour tous les centres de jeu Swing-N-Slide. Conserver ce feuillet d'instruction au cas où vous devriez prendre contact avec le fabricant.

Ce produit est destiné à un usage résidentiel et familial seulement et n'est pas conçu pour une utilisation dans un endroit public. L'installation de ce centre de jeu dans un endroit public constitue une mauvaise utilisation de ce produit.

IMPORTANT!

INSTRUCTIONS SUPPLÉMENTAIRES POUR UNE INSTALLATION SÉCURITAIRE

Les normes établies par l'organisme américain ASTM spécifient que toutes les unités de jeu doivent être ancrées solidement au sol et que si l'unité comprend une corde d'escalade, l'extrémité de celle-ci doit également être ancrée au sol. Si les conditions de sol permettent aux piquets d'ancrage d'être arrachés facilement, ceux-ci devront être encastrés dans du béton.

- **Pour ancrer l'unité au sol**, respecter les instructions incluses dans le présent plan concernant l'utilisation des ancrages « Anchor-It » à votre unité, ou utiliser des piquets en bois traité sous pression de 2 x 4 x 18 po (45 x 95 x 457 mm). Enfoncer les piquets dans le sol à au moins 12 po (305 mm) à chacun des coins intérieurs des poteaux (incluant les pattes des cadres en « A » et les poteaux des ensembles d'escalade). Fixer au moyen de quatre (4) clous galvanisés 16D de 3,5 po (89 mm) par piquet dans chaque montant de tour et(ou) cadre en A.
- Si l'unité comporte une corde d'escalade, ancrez solidement cette corde aux deux bouts.
- Une fois le centre de jeu complètement assemblé et avant de permettre aux enfants d'y jouer, un matériau de surfaçage pouvant absorber les chocs doit être installé. Cela peut être réalisé par l'utilisation d'un matériau de remplissage en vrac d'une épaisseur suffisante. Le manuel « Handbook for Public Playground Safety » de la commission de la sécurité des produits de consommation (Consumer Product Safety Commission, CPSC) fait l'énumération des matériaux suivants et définit les épaisseurs minimales pour des applications résidentielles. On peut trouver des informations complémentaires dans le document ASTM F1292. Pour une protection antichute allant jusqu'à 9 pi (2,74 m) [recommandée pour les ensembles Swing-N-Slide] :

MATÉRIAUX DE REMPLISSAGE EN VRAC	PROFONDEUR REQUISE (NON COMPACTÉE) 1 PO (25 MM)
Paillis de bois	9" (229mm)
Paillis d'écorce à déchiquetage double	9" (229mm)
Copeaux de bois uniformes	12" (305mm)

Ces épaisseurs proviennent du manuel de la CSPC. Pour déterminer ces profondeurs, Swing-N-Slide n'a réalisé aucun test indépendant.

Lorsqu'il est adéquatement installé, le matériau de surfaçage pour absorption de choc devrait recouvrir complètement les bases de bois horizontales des ensembles d'escalade. Ces surfaces protectrices doivent s'étendre jusqu'à un minimum de 6 pi (1,828 m) dans toutes les directions à partir du périmètre de l'équipement ou de la limite extérieure de tout composant. Par exemple, une glissoire s'étendant au-delà de la plate-forme doit comporter une surface protectrice sur au moins 6 pi (1,828 m) sur les deux côtés, de même qu'à son extrémité. Pour les balançoires, la surface de protection doit s'étendre d'au moins 14 pi (6 m) à partir de l'avant et de l'arrière de la balançoire lorsqu'elle est en position de repos.

Pour de plus amples renseignements sur la sécurité des terrains de jeu, télécharger gratuitement le manuel « Handbook for Public Playground Safety » de la commission de la sécurité des produits de consommation (CPSC) qui se trouve à l'adresse www.cpsc.gov. Une ressource supplémentaire est offerte par la spécification sur le rendement en matière de la sécurité des consommateurs des terrains de jeux résidentiels (ASTM F1148) de l'American Society of Testing and Materials (ASTM - société américaine pour les essais et les matériaux), que l'on peut acheter ou télécharger de www.astm.org.

GARANTIE LIMITÉE DU FABRICANT Swing-N-Slide®

Swing-N-Slide® est fière de la qualité et de la durabilité de ses produits. Notre garantie limitée du fabricant donne l'assurance et démontre notre engagement envers la fabrication d'articles pour terrain de jeu résidentiel de qualité.

GARANTIE LIMITÉE À VIE DU FABRICANT

Swing-N-Slide® garantit ses glissoires thermoformées et murs d'escalade contre toute défectuosité de matériaux et de fabrication, lorsqu'utilisés dans des conditions et pour un usage normaux, pour la durée de vie du produit.

GARANTIE LIMITÉE DE CINQ (5) ANS DU FABRICANT

Swing-N-Slide® garantit ses ensembles et accessoires de jeu personnalisés prêt-à-monter contre toute défectuosité de matériaux et de fabrication, lorsqu'utilisés dans des conditions et pour un usage normaux, pour une période de cinq (5) ans.

GARANTIE LIMITÉE DE CINQ (5) ANS DU FABRICANT

Swing-N-Slide® garantit les composants structurels en bois de ses ensembles et accessoires de jeu sans coupe et tout bois contre les dommages causés par la pourriture et les termites, et contre toute défectuosité de matériaux et de fabrication, lorsqu'utilisés dans des conditions et pour un usage normaux, pour une période de cinq (5) ans.

Les défauts de fabrication apparents qui n'influencent pas l'intégrité structurelle du produit, ou les défauts naturels du bois tels que la déformation, les fissures, les gerçures, la torsion, le retrait, l'enflure ou d'autres propriétés physiques du bois qui ne constituent pas un danger pour la sécurité, ne sont pas couverts par cette garantie.

GARANTIE D'UN (1) AN DU FABRICANT

Swing-N-Slide® garantit ses bâches de toit et/ou ses bâches, et la toile protectrice pour bois Timber GLOVE contre toute défectuosité de matériaux et de fabrication, lorsqu'utilisés dans des conditions et pour un usage normaux, pour une période d'un (1) an.

Swing-N-Slide® réparera, ou à sa discrétion, remplacera toute pièce présentant un défaut de matériaux et de fabrication au cours de la période de garantie mentionnée. Cette décision est sous réserve d'une vérification de la défectuosité à la livraison de la pièce défectueuse à Swing-N-Slide® à 1212 Barberry Drive, Janesville, Wisconsin, 53545 É.-U. Toute pièce retournée à Swing-N-Slide® doit être accompagnée d'un numéro d'autorisation de retour approuvé au préalable et d'une preuve d'achat datée. Cette garantie est valide uniquement si le produit est utilisé aux fins pour lesquelles il est conçu et s'il est installé sur un terrain unifamilial et résidentiel. Elle est nulle si le produit est à usage commercial ou collectif. Cette garantie ne couvre pas (a) les produits qui ont été endommagés par des calamités naturelles, de la négligence, une mauvaise utilisation ou par accident, ou qui ont été modifiés ou réparés par des personnes non autorisées; (b) le coût de la main-d'oeuvre; ou le coût de l'envoi du produit, de toute pièce ou de tout produit ou pièce de rechange.

Swing-N-Slide® RENONCE À TOUTES AUTRES REPRÉSENTATIONS ET GARANTIES DE TOUTES SORTES, EXPLICITES, IMPLICITES, RÉGLEMENTAIRES OU AUTRES, Y COMPRIS LES GARANTIES IMPLICITES DE QUALITÉ MARCHANDE ET D'ADÉQUATION À UN USAGE PARTICULIER. Swing-N-Slide® N'EST PAS RESPONSABLE DES DOMMAGES ACCESSOIRES OU INDIRECTS. Cette garantie n'est pas cessible, ni transférable à un propriétaire subséquent. Certains États interdisent les limitations sur les garanties implicites ou l'exclusion de dommages accessoires ou indirects, il est donc possible que ces restrictions ne s'appliquent pas dans le cas présent. Cette garantie vous donne des droits juridiques spécifiques. Vous pouvez également disposer d'autres droits, qui peuvent varier d'un État à l'autre.


De plus, cette garantie ne s'applique pas à :

- Des structures qui ne sont pas érigées, entretenues ou inspectées conformément aux plans d'installation de Swing-N-Slide®;
- Des structures auxquelles des pièces, ne respectant pas les plans d'installation de Swing-N-Slide®, ont été ajoutées ou substituées;
- Des pièces qui ont été modifiées ou mal utilisées;
- Des pièces qui n'ont pas été utilisées à des fins pour lesquelles elles ont été conçues;
- Des dommages dus à des calamités naturelles, au vandalisme, à un usage anormal ou abusif tel qu'établi par Swing-N-Slide®.

LISTE DU BOIS D'ŒUVRE POUR LE PROJET ALPINE 615
 CETTE LISTE S'AJOUTE À CELLE DU BOIS D'ŒUVRE POUR LE PROJET ALPINE 614
LISTA DE MADERA DEL PROYECTO 615 DE ALPINE
 ESTA LISTA ES ADICIONAL A LAS TABLAS REQUERIDAS PARA EL PROYECTO 613

- (3) 2 po x 4 po x 8 pi (5,1 x 10,2 x 243,8 cm)
- (2) 2 po x 4 po x 10 pi (5,1 x 10,2 x 304,8 cm)
- (3) 5/4 po x 6 po x 10 pi (3,2 x 15,2 x 304,8 cm)

BOIS D'ŒUVRE POUR LE MUR D'ESCALADE ALPINE
TABLAS PARA PARED DE ESCALAR CON ROCAS ESTILLO ALPINO

55-1/4 po (140,3 cm)	23-1/4 po (59,1 cm)	
----------------------	---------------------	-------------------------------------------------------------------------------------

(1) 2 po x 4 po x 8 pi (5,1 x 10,2 x 243,8 cm)


60 po (152,4 cm)	60 po (152,4 cm)
------------------	------------------

(1) 2 po x 4 po x 10 pi (5,1 x 10,2 x 304,8 cm)


30 po (76,2 cm)	30 po (76,2 cm)	30 po (76,2 cm)	30 po (76,2 cm)
-----------------	-----------------	-----------------	-----------------

(3) 5/4 po x 4 po x 10 pi (3,2 x 15,2 x 304,8 cm)


BOIS D'ŒUVRE POUR LA GLISSADE TURBO ALPINE
TABLAS TURBO ESTILO ALPINO

25-1/2 po (64,8 cm)	25-1/2 po (64,8 cm)	23 po (58,4 cm)	
---------------------	---------------------	-----------------	--------------------------------------------------------------------------------------

(1) 2 po x 4 po x 8 pi (5,1 x 10,2 x 243,8 cm)

18 po (45,7 cm)	18 po (45,7 cm)	18 po (45,7 cm)	11-1/4 po (28,6 cm)	6-1/4 po (15,9 cm)	6-1/4 po (15,9 cm)	
-----------------	-----------------	-----------------	---------------------	--------------------	--------------------	---------------------------------------------------------------------------------------

(1) 2 po x 4 po x 8 pi (5,1 x 10,2 x 243,8 cm)

55 po (139,7 cm)	30 po (76,2 cm)	23 po (58,4 cm)	
------------------	-----------------	-----------------	---------------------------------------------------------------------------------------

(1) 2 po x 4 po x 10 pi (5,1 x 10,2 x 304,8 cm)

Comment sélectionner la bonne fixation

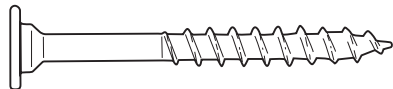
Utilisez ces trois guides illustrés pour vous aider à sélectionner la (les) bonne(s) fixation(s) pour fixer l'assemblage de bois en cours. Chaque diagramme présente le nombre de fixations à utiliser adéquat et l'emplacement approprié pour la fixation.

5/4 x 6 po aux 4 x 4 po (3,2 x 15,2 cm aux 10,2 x 10,2 cm)



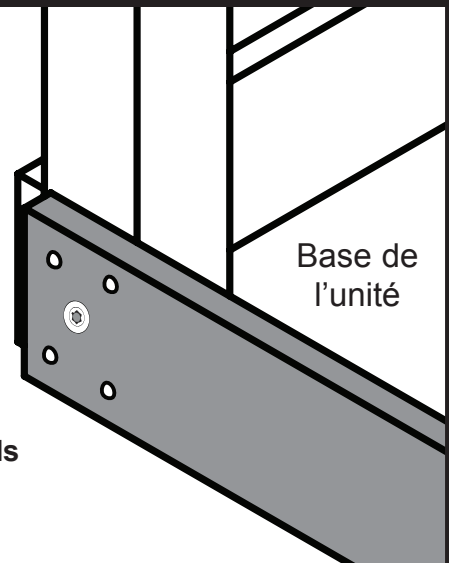
(4) Vis de 2-1/2 po (6,4 cm)

Posez les vis de 2-1/2 po (6,4 cm) pour fixer solidement les planches de 5/4 po (3,2 cm) aux montants de 4 x 4 po (102 x 102 mm) tel qu'illustré.



(1) Tire-fonds de 2 po (5,1 cm)

Après avoir fixé les vis de 2-1/2 po (6,4 cm), posez le tire-fonds de 2 po (51 mm) au centre (1) tel qu'illustré, pour un soutien supplémentaire.

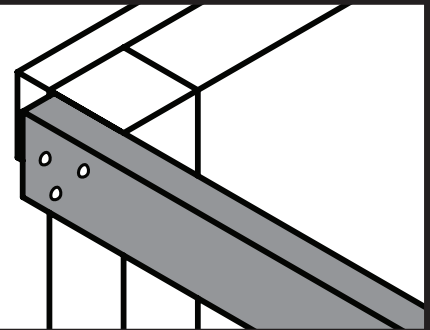


2 x 4 po aux 4 x 4 po (5,1 x 10,2 cm aux 10,2 x 10,2 cm)



(3) Vis de 2-1/2 po (64 mm)

Posez les vis de 2-1/2 po (6,4 cm) sur les 2 x 4 po (5,1 x 10,2 cm) pour fixer les montants de 4 x 4 po (10,2 x 10,2 cm).,,



5/4 x 6 po aux 2 x 4 po (3,2 x 15,2 cm aux 5,1 x 10,2 cm)



(2) Vis de 2 po (5,1 cm)

Utilisez les vis de 2 po (5,1 cm) lorsque vous fixez les planches de 5/4 po (3,2 cm) aux planches de 2 x 4 po (5,1 x 10,2 cm).

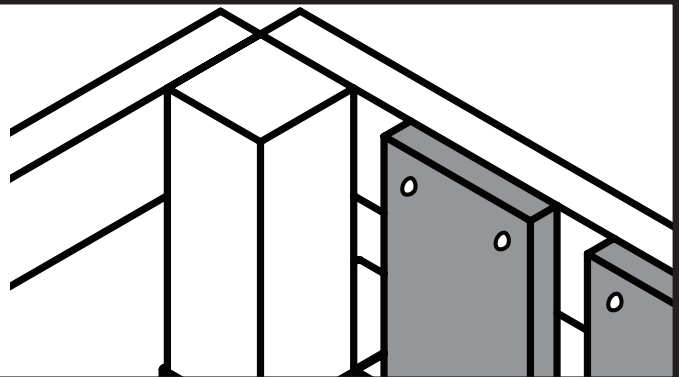
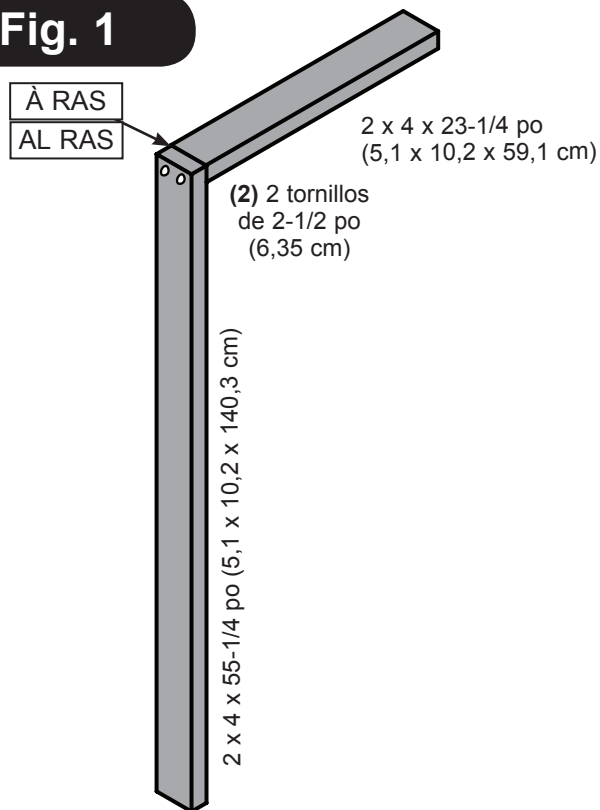


Fig. 1



Vis de 2-1/2 po (6,4 cm)
Tornillo de 2-1/2 po (6,4 cm)

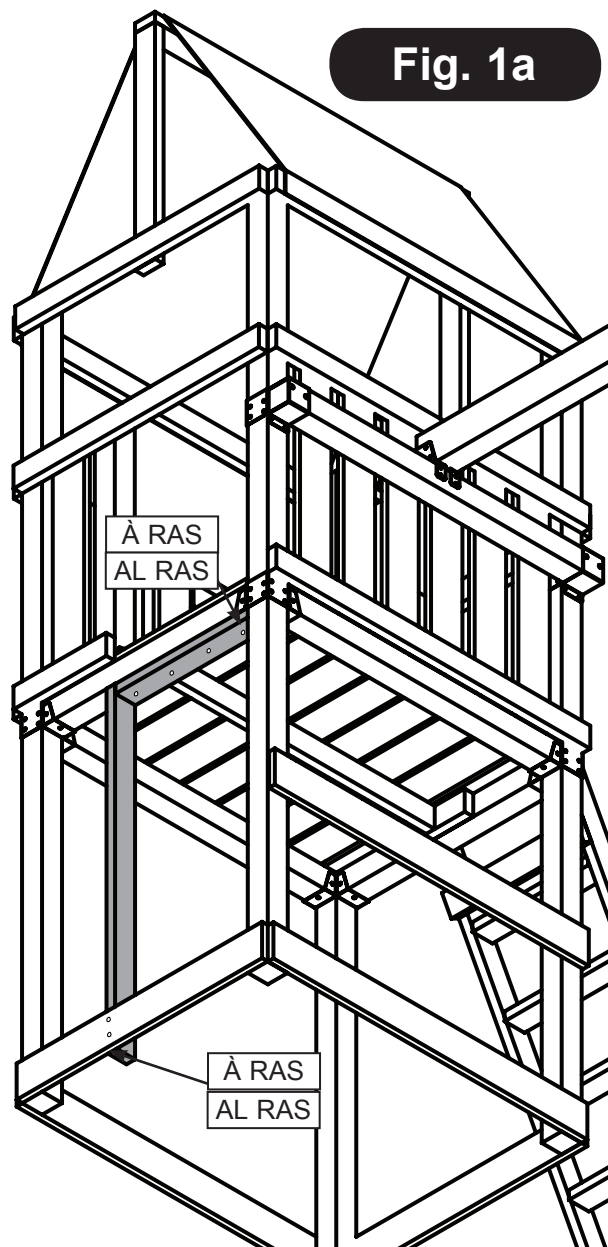
Support du mur d'escalade à rochers

1. Assemblez le support du mur d'escalade à rochers comme illustré dans la (Fig. 1).
2. Installez le support du mur d'escalade à rochers comme illustré dans la (Fig. 1a).

Soporte para Pared de Rocas

1. Ensambla el Soporte de la Pared de Rocas como se muestra en la (Fig. 1).
2. Instala el Soporte de la Pared de Rocas como se muestra en la (Fig. 1a).

Fig. 1a



**VUE DE DESSOUS DE LA PLATE-FORME
VISTA DESDE ABAJO DE LA PLATAFORMA**

Fig. 2

REMARQUE :
 Le murs d'escalade à rochers de 60 po (152,4 cm) nécessitera
12 rochers d'escalade
 (2) sacs de rochers d'escalade NE 4543S.

NOTA:
 La Pared de Rocas para Escalar de 60 po (152,4 cm) requerirá
12 Rocas para Escalar
 (2) Bolsas de Rocas para Escalar NE 4543S



Vis de 2-1/2 po (6,4 cm)
 Tornillo de 2-1/2 po (6,4 cm)

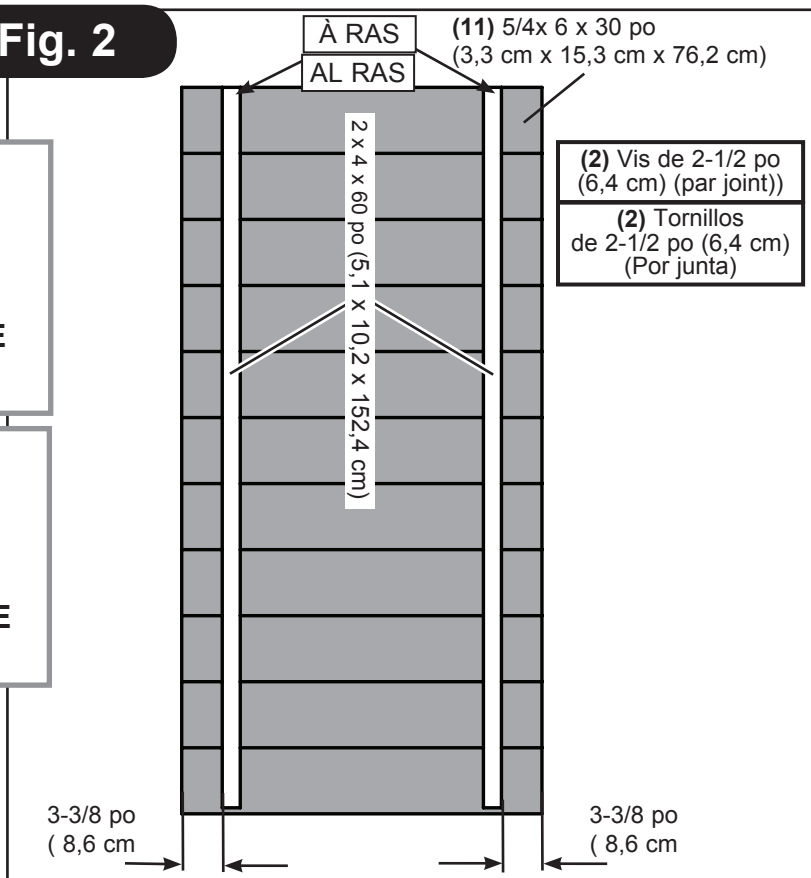
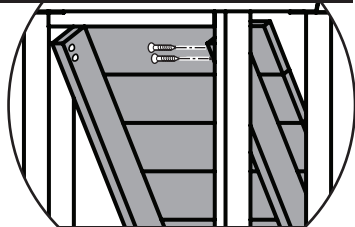


Fig. 2a

VUE DE DESSOUS DE LA PLATE-FORME/ VISTA DESDE ABAJO DE LA PLATAFORMA



(2) Vis de 2-1/2 po (6,4 cm) (par joint)
 (2) Tornillos de 2-1/2 po (6,4 cm) (Por junta)

Assemblage du mur d'escalade à rochers

1. Assemblez le mur d'escalade à rochers comme illustré dans la (Fig. 2).
2. Installez le mur d'escalade à rochers sur l'unité comme illustré dans la (Fig. 2a).

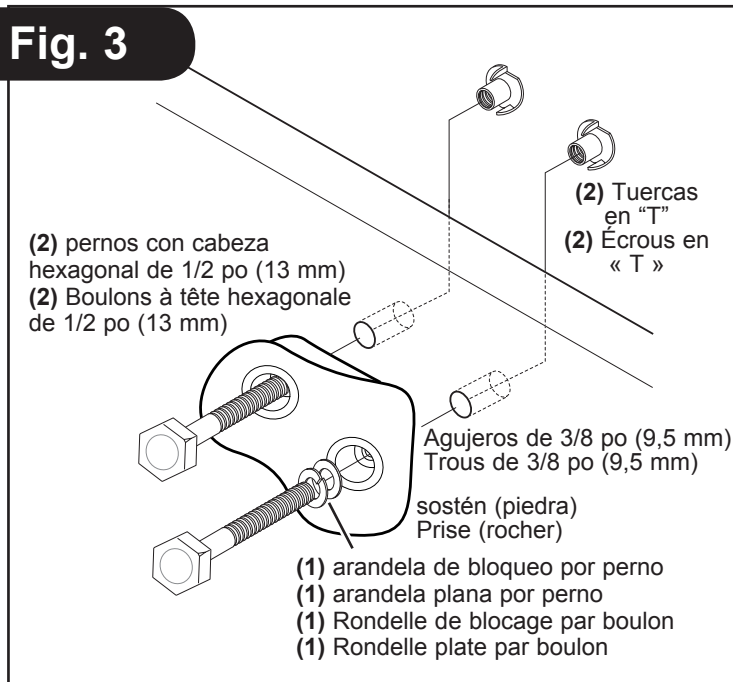
Remarque : Assurez-vous que les supports 2 x 4 po (5,1 x 10,2 cm) ne pourront pas gêner la pose des rochers d'escalade.

Ensamblaje de la Pared de Rocas

1. Ensambla la Pared de Rocas como se muestra en la (Fig. 2).
2. Instala la Pared de Rocas en la unidad como se muestra en la (Fig. 2a).

Nota: Asegúrate de que los soportes de 2 x 4 po (5,1 x 10,2 cm) no interfieran con el montaje de las rocas para escalar.

Fig. 3



Instalación de las piedras para escalar

1. Marque la ubicación de las piedras para escalar sobre la pared para escalar con un patrón que le permita al niño trepar fácilmente a la plataforma. Antes de perforar, asegúrese de que la ubicación de los agujeros para los pernos esté libre de soportes de pared.
2. Perfore los agujeros a través de la pared, en las ubicaciones deseadas, utilizando una broca para taladro de 3/8 po (9,5 mm). Instale las piedras para escalar como se muestra en la **(Fig. 3)**.
3. Asegúrese de que las conexiones de la pared para escalar y las piedras estén aseguradas antes de permitir a cualquier niño jugar en la pared para escalar.

Installation des rochers d'escalade

1. Marquez les emplacements des rochers d'escalade sur le mur d'escalade selon un patron qui permettra à votre enfant de facilement accéder à la plateforme. Assurez-vous que les emplacements des trous de boulon ne contiennent pas de supports de paroi avant de percer.
2. Percez des trous à travers le mur aux endroits désirés à l'aide d'une mèche de 3/8 po (9,5 mm). Installez les rochers d'escalade, comme illustré **(Fig. 3)**.
3. Assurez-vous que les raccords de la paroi d'escalade et des rochers d'escalade sont solides avant de permettre à un enfant d'y jouer.

Fig. 4

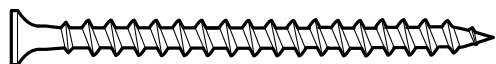
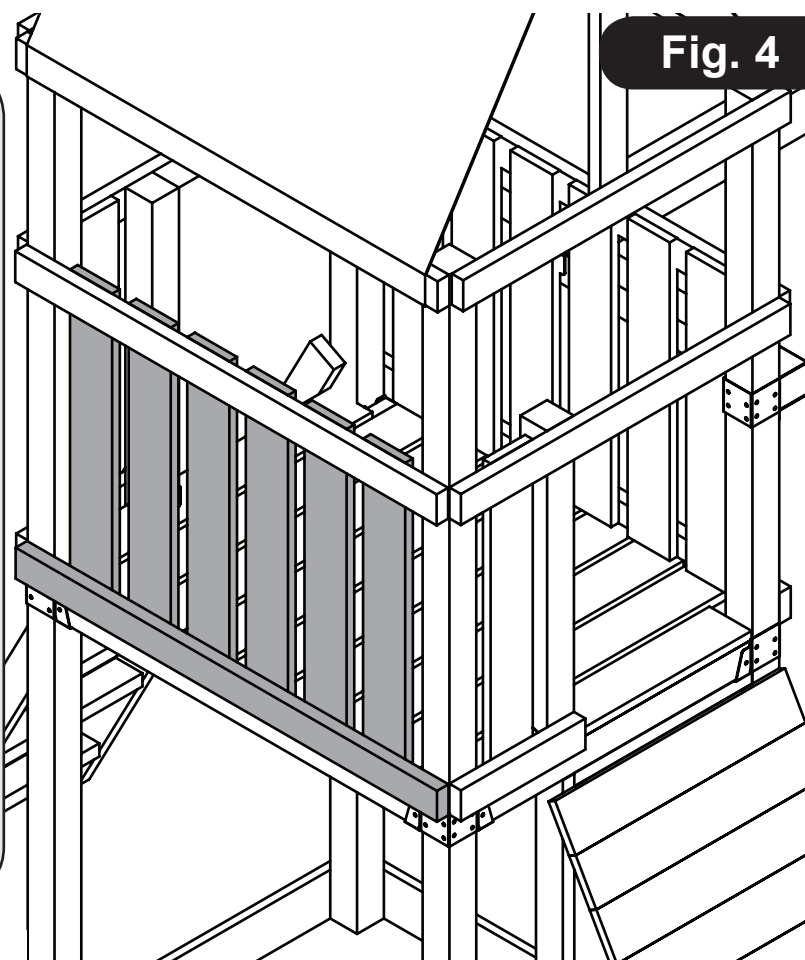
Construction de la barrière de glissade

1. Retirez avec **précaution** la planche de support de la barrière et les **(6)** planches de barrière de la barrière arrière pour pouvoir installer la glissade comme illustré dans la **(Fig. 4)**.

Mettez de côté ce bois d'œuvre et ces fixations car vous en aurez besoin à l'étape suivante.

Remarque : Vérifiez que vous disposez d'une zone de sécurité dégagée de 72 po (182,9 cm) depuis la sortie de la glissade. Consultez le plan de la glissade Turbo Tube pour de plus amples informations.

2. **Re-fixez** la planche de support de barrière et les planches de barrière en vous assurant qu'elles sont uniformément espacées, comme illustré dans la **(Fig. 4a)**.



Vis de 2-1/2 po 6,4 cm
Tornillo de 2-1/2 po 6,4 cm

Construcción de las Barreras del Tobogán

1. **Co cuidado** retira la Tabla de Soporte de la Barrera y las **(6)** Tablas de la Barrera de la barrera posterior para colocar tu tobogán, como se muestra en la **(Fig. 4)**.

Conserva esta tabla y los sujetadores, ya que los necesitarás en el próximo paso.

Nota: Asegúrate de que tienes una Zona de Seguridad despejada, de 72 po (182,9 cm) de la entrada de tu tobogán. Consulta tu Plan del Tobogán Turbo con Tubo para más información.

2. **Vuelve a sujetar** la Tabla de Soporte de la Barrera y las Tablas de la Barrera, asegurándote de que estén espaciadas uniformemente, como se muestra en la **(Fig. 4a)**.

Fig. 4a

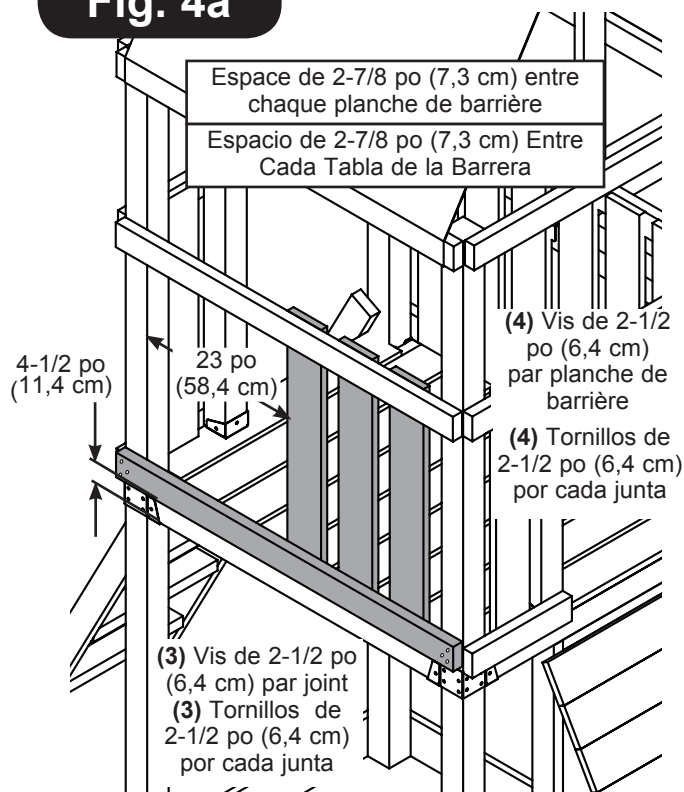


Fig. 5

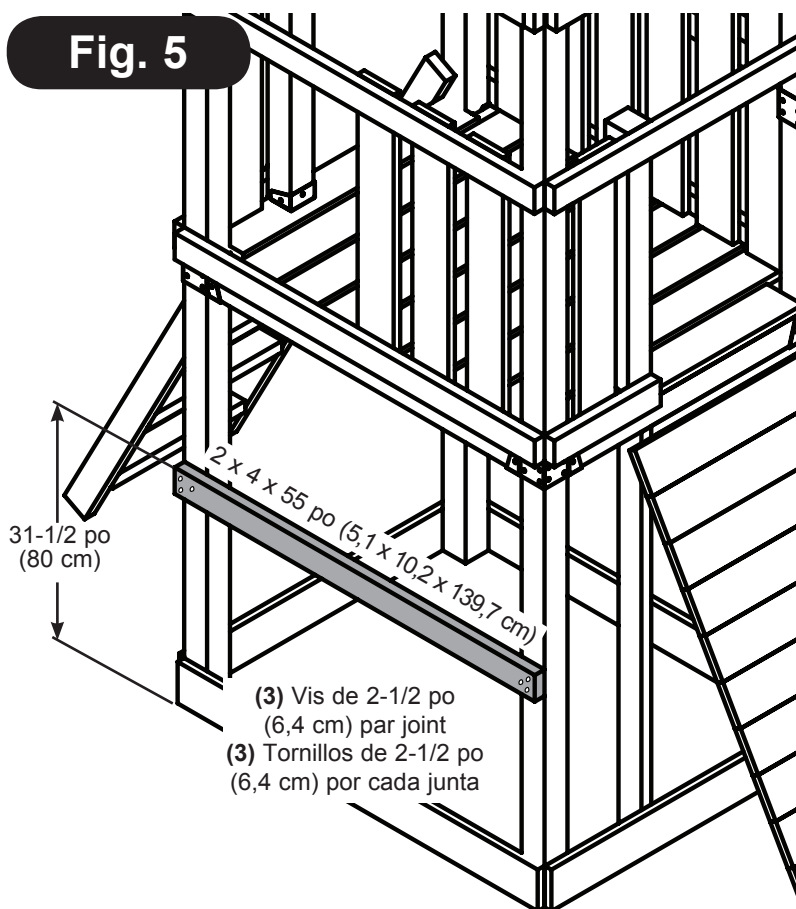
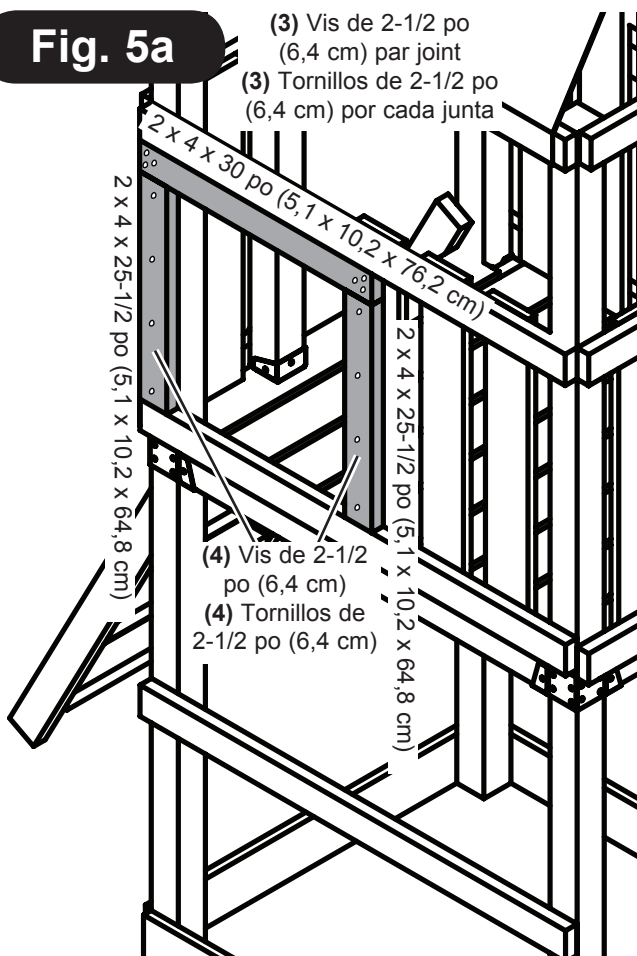


Fig. 5a



Vis de 2-1/2 po (6,4 cm)
Tornillo de 2-1/2 po (6,4 cm)

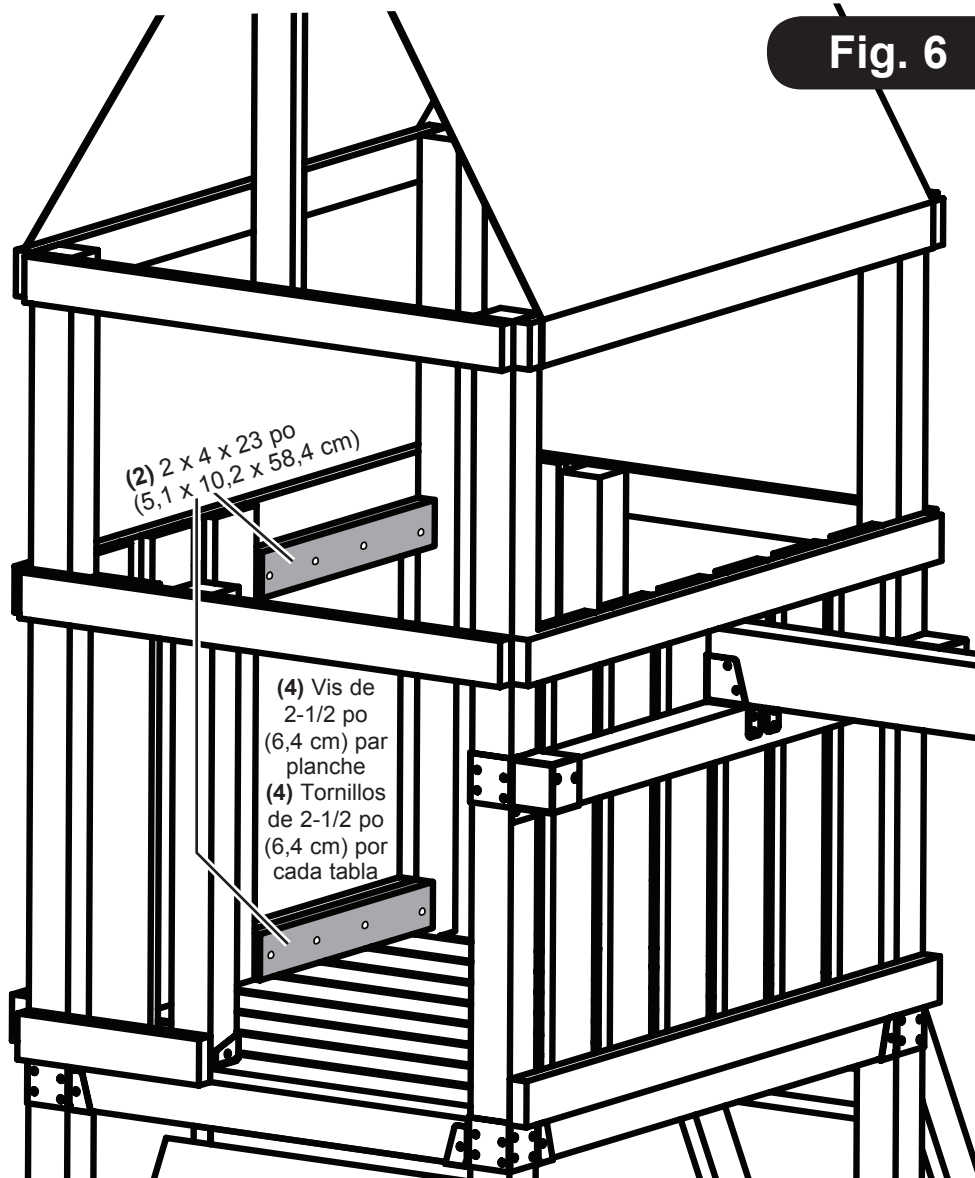
Construction de la barrière de glissade

1. Fixez la planche de support de la glissade Turbo Tube comme illustré à la (Fig. 5) et à la (Fig. 5a).

Construcción de las Barreras del Toboqán

1. Sujeta la Tabla de Soporte del Toboqán Turbo de Tubo como se muestra en la (Fig. 5) y la (Fig. 5a).

Fig. 6



VUE DE L'INTÉRIEUR DE L'ENTRÉE DE LA GLISSADE
VISTA INTERIOR DE LA ENTRADA DEL TOBOGÁN

Vis de 2-1/2 po (6,4 cm)
 Tornillo de 2-1/2 po (6,4 cm)



Construction de la barrière de glissade

1. Installez les planches de support intérieur de la barrière de la glissade comme illustré dans la (Fig. 6).
2. Reportez-vous au plan de la glissade Turbo Tube de 5 pi (152,4 cm) pour les instructions d'assemblage de la glissade Turbo Tube et du pied.

Construcción de las Barreras del Tobogán

1. Instala las tablas de soporte de la barrera del tobogán interior que se muestran en la (Fig. 6).
2. Consulta el Plan del Tobogán Turbo con Tubo, de 5 pi (152,4 cm) para obtener las instrucciones de cómo ensamblar el Tobogán Turbo Con Tubo y del Ensamblaje del Arranque.

REFERENCE DU PLAN POUR LE MONTAGE ILLUSTRÉ SLIDE
REFERENCIA AL PLAN DE REPRESENTADO POR LA ASAMBLEA SLIDE

Swing-N-Slide®

INSTRUCCIONES DE ENSAMBLAJE
INSTRUCTIONS D'ASSEMBLAGE

Tobogán Turbo Tube de 5'
Glissoire Turbo Tube de 5 pi

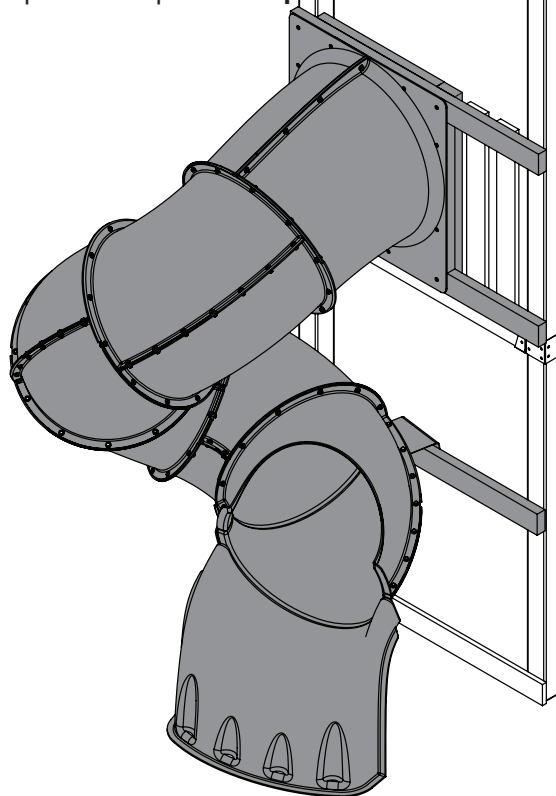
Nota: Este accesorio está diseñado para colocarse en plataformas de 5 pies de alto únicamente.
Remarque : Cet accessoire est conçu pour s'adapter à une plate-forme haute de 5 pi seulement.

PRECAUCIÓN

- No trepar por el exterior del tobogán
- Este tobogán está diseñado para ser usado en casa, no para sitios públicos de juego.
- Producto diseñado para niños de 2 a 10 años.

MISE EN GARDE

- No pas grimper sur l'extérieur de la glissoire
- Cette glissoire est conçue pour une utilisation résidentielle seulement et non pour être utilisée sur des terrains de jeu publics.
- Ce produit est conçu pour les enfants de 2 à 10 ans.



¡IMPORTANTE!

¡LEA ANTES DE COMENZAR EL ENSAMBLAJE!

Asegúrese de que todas las piezas de madera, los herrajes y los accesorios estén incluidos. Si falta algo, **NO DEVUELA EL KIT** a la tienda donde lo compró. Llame a nuestro Departamento de Servicio al Cliente, al número que aparece abajo.

IMPORTANT!

VEUILLEZ LIRE AVANTE DE COMMENCER L'ASSEMBLAGE!

Veillez vous assurer d'avoir toutes les pièces de bois, de quincaillerie ainsi que tous les accessoires. S'il vous manque quoi que ce soit, **NE RETOURNEZ PAS** l'article au magasin où vous l'avez acheté. Veuillez communiquer avec notre service à la clientèle en téléphonant au numéro ci-dessous.

Para registrar su producto y descargar las instrucciones específicas de la unidad tobogán Turbo Tube, visite;

<http://www.swing-n-slide.com>

Se incluyen otros beneficios, como información sobre las garantías del producto, actualizaciones del plan de ensamblaje, unirse a nuestra lista de correo para nuevos productos y promociones y proporcionar comentarios sobre los productos.

Pour enregistrer votre produit et télécharger les instructions particulières à la glissoire Turbo Tube, visitez le site Web :

<http://www.swing-n-slide.com>

Vous y trouverez également des informations au sujet des garanties des produit, des mises à jour concernant les plans d'assemblage, et vous pourrez également vous abonner à notre liste d'envoi afin de connaître les nouveaux produits et les promotions que nous offrons et nous faire part de vos commentaires et suggestions concernant produits.

Swing-N-Slide • 1212 Barberrry Drive • Janesville, Wisconsin 53545

Visite nuestro sitio Web en: www.swing-n-slide.com o llámenos al

Consultez notre site Internet à l'adresse suivante : www.swing-n-slide.com ou téléphonez-nous au

1-800-888-1232