

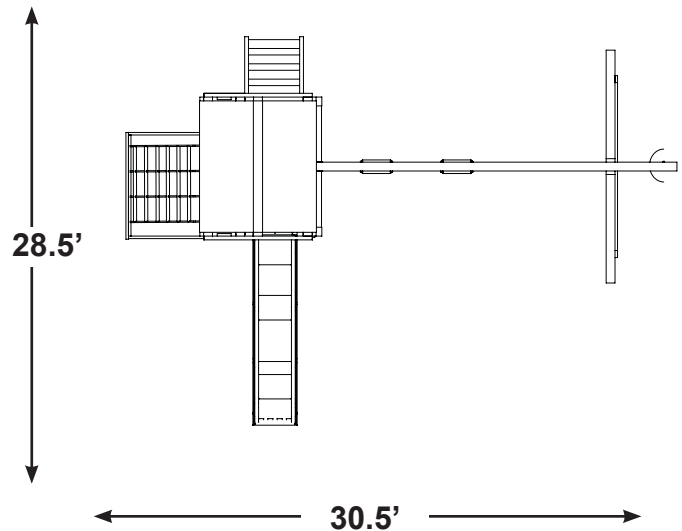
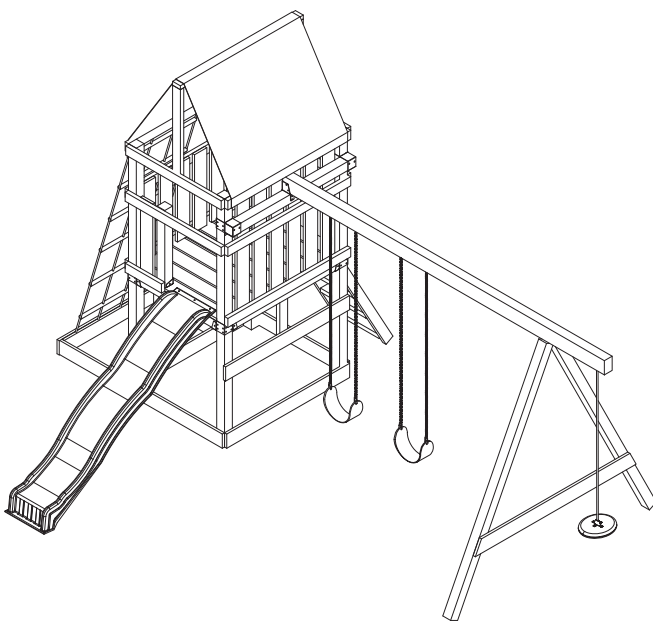
Swing-N-Slide®

NE 5007

Alpine™

PROJECT 611& 612

check out <http://www.swing-n-slide.com>
for updates to these instructions.



No. of Children: Up to 11
Min. Use Zone: 28-1/2' x 30-1/2'
Set Dim. 13'W x 18-1/2'L x 11'H
Est. Building Time: 4-8 hr.

Rapid Loc™ System

ASSEMBLY INSTRUCTIONS

Swing-N-Slide • 1212 Barberrry Drive • Janesville, Wisconsin 53545
Visit our web site at: www.swing-n-slide.com or call us at 1-800-888-1232

Observing the following statements and warnings reduces the likelihood of serious or fatal injury

Installation Safety – Have You:

- Consulted the assembly instructions supplied with your particular model?
- Noted this accessory is to be used only on Swing-N-Slide approved designs? (Do not alter its design or add/remove components.)
- Made sure all hardware is tightened securely? (Supplied bolt covers must also be fastened securely.)
- Using a hacksaw, cut off all protruding threaded ends of bolts and other fasteners and remove any sharp edges with a metal file as needed, and coated fastener ends with lead free paint?
- Placed the equipment on level ground, not less than six feet (1.8 meters) from any structure or obstruction such as a fence, garage, house, overhanging branches, laundry lines, or electrical wires?
- Made sure home playground equipment is not installed over concrete, asphalt, packed earth or any other hard surface? (A fall onto a hard surface can result in serious injury to the equipment user.)
- Verified that suspended climbing ropes, chain, or cable are securely anchored at both ends and cannot be looped back upon itself?
- Consulted in assembly instructions of your particular model for minimum use zones?
- Used a water sealant on your play set to protect the wood and prevent cracking and warping?
- Followed all anchoring and shock absorbing surfacing requirements on the back of this sheet as they apply?
- Made sure not to allow children to use equipment until it is properly installed?
- Made sure to adjust all swings so there is a minimum 8" clearance between the swing and the ground surface?

Operating Safety – Have You:

- Determined that on-site adult supervision is provided for children of all ages?
- Warned children the following before allowing them to use the equipment?
 - Not to walk close to, in front of, behind or between moving items.
 - Not to twist swing or any other accessory chains or ropes or loop them over the top support bar since this will reduce the strength of chain or rope.
 - Not to swing empty seats or other accessories.
 - Not to slide down swing chains.
 - Be sure to sit in the center of the swing seat and other accessories with full weight on the seat.
 - Not to attach items to the playground equipment that are not specifically designed for use with the equipment such as but not limited to jump ropes, clotheslines, pet leashes, cables and chain. They may cause a strangulation hazard.
 - Not to climb or walk on the top of swing beams, railings or roof.
 - Not to use equipment in a manner other than intended.
 - Not to get off equipment while it is in motion.
 - Not to climb on the equipment when it is wet.
 - Be sure to go down slides feet first.
- Determined that only one child per planned occupant seat should be allowed on this set at one time.
- Determined children must be dressed appropriately for play. Avoid hooded jackets, bicycle or other sports helmets, clothing with draw strings and loose fitting clothes which could become entangled or snagged on equipment.
- Determined that suspended climbing ropes, chain, or cable are securely anchored at both ends and cannot be looped back upon itself.
- Made certain the slide is placed so that is is not in direct sunlight.

Safety Maintenance – Follow these preventive maintenance instructions at the intervals required:

- To prevent the deterioration of materials, remove plastic swing seats and other plastic accessories when outdoors temp dips down to or below 32° F and take indoors. Reinstall these plastic elements at the beginning of each play season.
- At the beginning of each play season check metal parts for rust. If found, sand and repaint using a non lead-based paint meeting the requirements of 16 CFR 1303 or SOR/2005-109.
- At the beginning of each play season and once a month during each play season, check all moving parts for wear, rust or other deterioration. Replace as needed. If any of these conditions exist, call 1-800-888-1232 to order replacement accessories.
- At the beginning of each play season and once a month during each play season lubricate metallic moving parts.
- At the beginning of each play season and twice a month during each play season, check all protective coverings on bolts, pipes, edges, and corners. Replace if they are loose, cracked, or missing.
- At the beginning of each play season and twice a month during each play season, rake and check depth of loose fill protective surfacing material to prevent compaction and maintain appropriate depth. Replace as necessary.
- At the beginning of each play season and twice a month during each play season tighten all hardware.
- At the beginning of each play season and twice a month during each play season, check all wood members for deterioration and splinters. Sand down splinters and replace deteriorating wood members.

Disposal Instructions

When the equipment is taken out of service, it must be disassembled and disposed of in such a way that no unreasonable hazards will exist at the time the set is discarded.

**Important! Additional Safety Instructions for all Swing-N-Slide Playground Equipment.
Save this instruction sheet in the event the manufacturer needs to be contacted.**

This product is intended for single family home/residential use only and not intended for use in any public setting. Placement in any public setting constitutes a misuse of this product.

IMPORTANT!

ADDITIONAL REQUIRED SAFETY INSTALLATION INSTRUCTIONS

According to ASTM requirements, all kits must be anchored to the ground and, if the unit has a climbing rope, the rope end must be anchored to the ground. If soil conditions permit stakes to be pulled out easily, cementing into ground is necessary.

- **To anchor the unit to the ground,** Follow the instructions included in this plan for applying Anchor-It devices to your unit, or use 2" x 4" x 18" (45mm x 95mm x 457mm) pressure-treated stakes. Pound stakes into ground at least 12" (305mm) at all inside corners of the posts (including A-frame legs and climbing unit posts). Attach with four (4) 16D (3-1/2") galvanized nails per stake into each tower and/or A-frame upright.
- **If the unit has a climbing rope,** securely anchor the rope at both ends.
- **Once the unit is completely assembled and before children are allowed to play on it, proper shock-absorbing surfacing material must be installed.** This may be accomplished by using loose-fill materials at a sufficient depth. The Consumer Product Safety Commission "Handbook for Public Playground Safety" lists the following materials and required depths that are sufficient for home/residential application. Supplemental information may be found in ASTM F1292. For fall height protection up to 9 ft. (2.742m) [recommended for Swing-N-Slide kits]:

<u>LOOSE FILL MATERIAL</u>	<u>REQUIRED (UNCOMPRESSED) DEPTH¹ in. (mm)</u>
Wood Mulch	9" (229mm)
Double Shredded Bark Mulch	9" (229mm)
Uniform Wood Chips	12" (305mm)

These depths were derived from the CPSC Handbook. Swing-N-Slide has not done independent tests to determine these required depths.

When properly installed, shock absorbing material will completely cover the horizontal baseboards on climbing units. This protective surfacing must extend a **minimum** of 6 ft. (1.828m) in all directions from the perimeter of the equipment or from the outermost edges of any component. For example, a slide extending beyond the platform must have protective surfacing at least 6 ft. (1.828m) out from both sides as well as the end. For swings, the protective surface must extend **at least 14 ft. (6m)** out from **both** the back and front of the swing when the swing is in its rest position.

For further information on playground safety, the Consumer Product Safety Commission (CPSC) publishes the Outdoor Home Playground Safety Handbook which can be downloaded for free from www.cpsc.gov. An additional resource is the American Society of Testing and Materials (ASTM) Standard Consumer Safety Performance Specification for Home Playground Equipment (ASTM F1148) which can be purchased and downloaded from www.astm.org.

Swing-N-Slide® MANUFACTURERS LIMITED WARRANTY

Swing-N-Slide® takes great pride in the quality and durability of our products. Our Manufacturer's Limited Warranty provides confidence and demonstrates our commitment to providing quality residential playground products.

MANUFACTURER'S LIFETIME LIMITED WARRANTY

Swing-N-Slide® warrants its thermoformed slides and climbing mountains to be free from defects in workmanship and materials, under normal use and conditions, for the lifetime of the product.

MANUFACTURER'S 5 YEAR LIMITED WARRANTY

Swing-N-Slide® warrants its Custom Ready-to-Build Play Set kits and accessories to be free from defects in workmanship and materials, under normal use and conditions, for a period of 5 years.

MANUFACTURER'S 5 YEAR LIMITED WARRANTY

Swing-N-Slide® warrants its No-Cut and Wood Complete Ready-to-Assemble Play Set kits against wood rot and termite damage, and to be free from defects in workmanship and materials, under normal use and conditions, for a period of 5 years for structural wood components.

Cosmetic defects that do not affect the structural integrity of the product, or natural defects of wood such as warping, splitting, checking, twisting, shrinkage, swelling or any other physical properties of wood that do not present a safety hazard, are not covered by this warranty.

MANUFACTURER'S ONE YEAR WARRANTY

Swing-N-Slide® warrants its canopy roofs and/or tarps, and Timber GLOVE lumber wrap to be free from defects in workmanship and materials, under normal use and conditions, for a period of one year.

Swing-N-Slide® will repair, or at its discretion, replace any part within the stated warranty period which is defective in workmanship or materials. This decision is subject to verification of the defect upon delivery of the defective part to Swing-N-Slide® at 1212 Barberry Drive, Janesville, Wisconsin, 53545. Any part(s) returned to Swing-N-Slide® must have prior approved Return Authorization Number and proof of purchase, including the date of purchase. This warranty is valid only if the product is used for the purpose for which it was designed and installed at a residential, single family dwelling. This warranty is void if the product is put to commercial or institutional use.

This

warranty does not cover (a) products which have been damaged by acts of Nature, negligence, misuse, or accident, or which have been modified or repaired by unauthorized persons; (b) the cost of labor; or the cost of shipping the product, any part, or any replacement product or part.

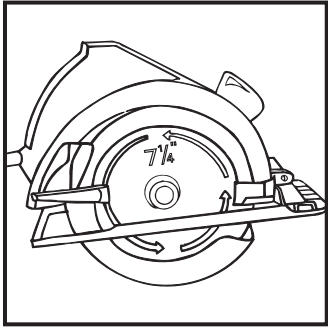
Swing-N-Slide® DISCLAIMS ALL OTHER REPRESENTATIONS AND WARRANTIES OF ANY KIND, EXPRESS, IMPLIED, STATUTORY OR OTHERWISE, INCLUDING THE

IMPLIED WARRANTIES OF MERCHANTABILITY AND FITNESS FOR A PARTICULAR PURPOSE. Swing-N-Slide® WILL NOT BE LIABLE FOR ANY INCIDENTAL OR CONSEQUENTIAL DAMAGES. This warranty is non-transferable and does not extend to the owners of the product subsequent to the original purchaser. Some states do not allow limitations on implied warranties or exclusion of incidental or consequential damages, so these restrictions may not be applicable to you. This warranty gives you

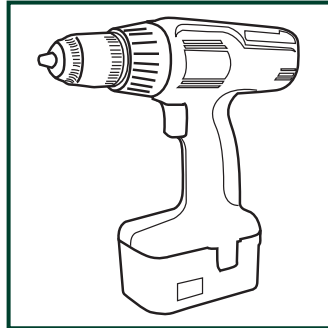
specific legal rights. You may also have other rights, which vary from state to state.

This warranty also does not apply to:

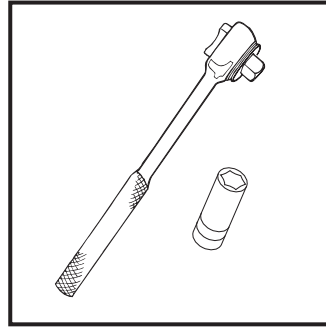
- Structures not erected, maintained or inspected in conformance with **Swing-N-Slide®** installation plans
- Structures that have had parts added or substituted not in conformance with **Swing-N-Slide®** installation plans
- Parts that have been modified, altered or misused
- Parts that have not been used as designed or intended
- Damage due to acts of Nature, vandalism, abnormal use or abuse as determined by **Swing-N-Slide®**



CIRCULAR SAW



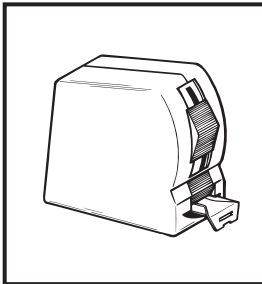
ELECTRIC DRILL



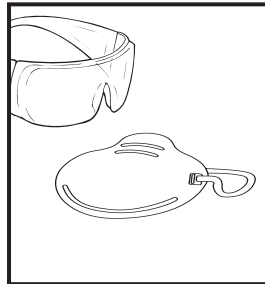
1/2" SOCKET & WRENCH



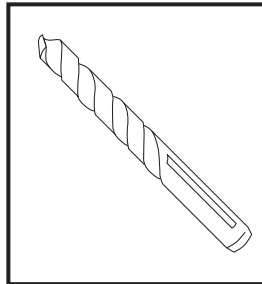
HAMMER



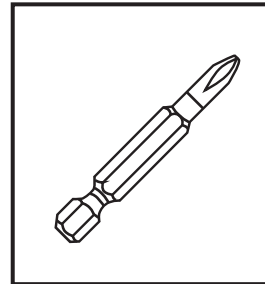
TAPE MEASURE



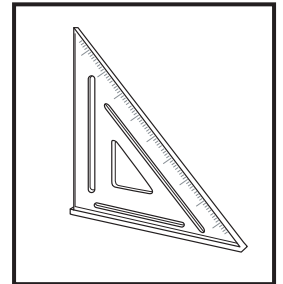
SAFETY GLASSES & DUST MASK



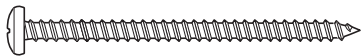
3/8" DRILL BIT (6" Min.)



PHILLIPS BIT



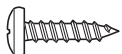
CARPENTER'S SQUARE



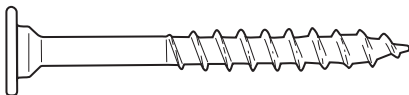
(2) 1-3/4" pan head screws



(6) 3/4" pan head screws



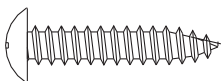
(2) 1/2" pan head screws



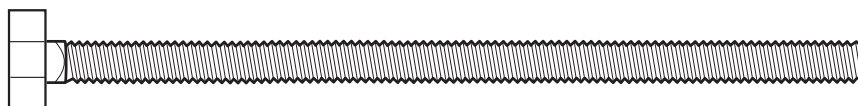
(108) 2" lag screw



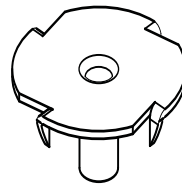
(16) 1-1/4" screws



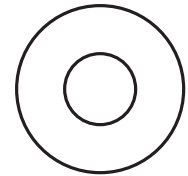
(4) 1" Truss Screws



(2) 5-1/2" Bolts



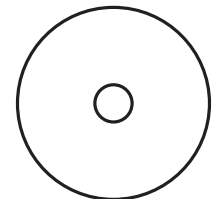
(6) T- nuts



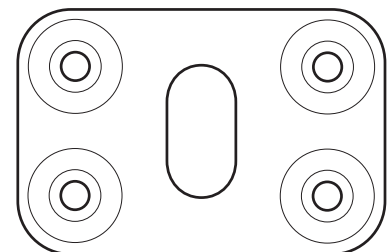
(2) 5/16" flat washers



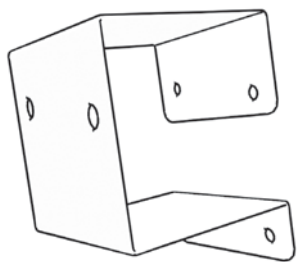
(4) 1/4" flat washers



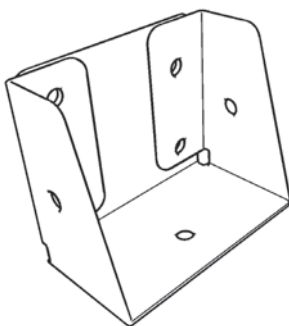
(6) Tarp Washers



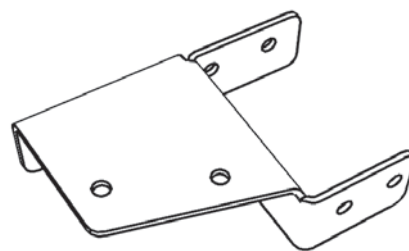
(4) Bottom Beam Clamps (slotted)



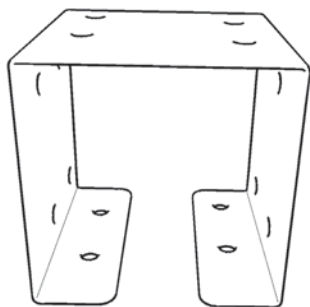
(2) Shelf-Loc



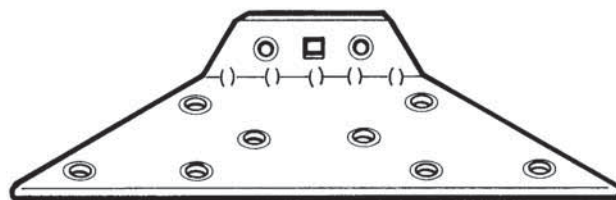
(10) Cup-Loc



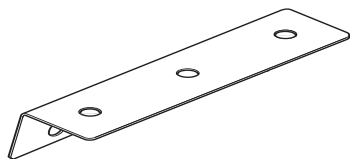
(2) Split Beam bracket



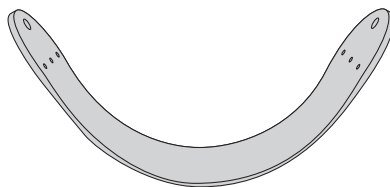
(6) Wrap-Loc



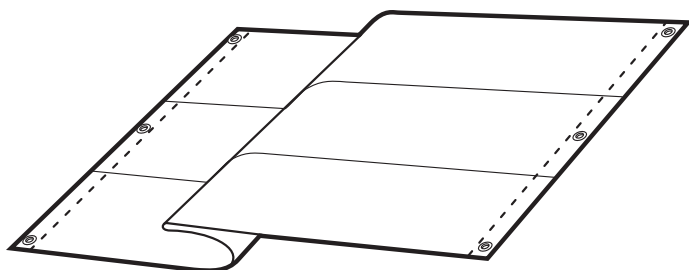
(2) EZ Frame Brackets



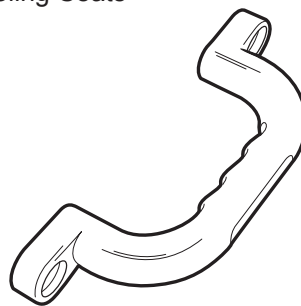
(10) Step Brackets
Note: (5 Left, 5 Right)



(2) Sling Seats



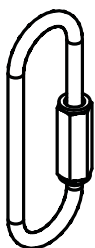
(1) Multicolor Tarp



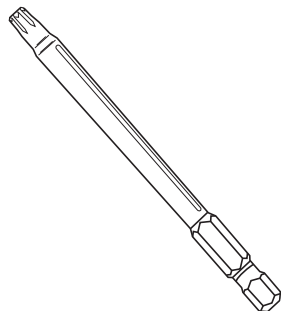
(2) Safety Handles



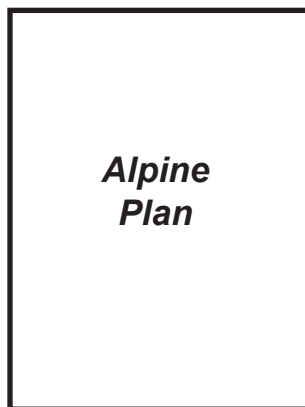
(4) Swing Hangers



(4) Quick Link



(1) T30 Torx® Bit



**Alpine
Plan**

(1) Plan



THIS PRODUCT IS
INTENDED FOR USE
BY CHILDREN FROM
AGES 2-10 YEARS

For Home / Residential
Use ONLY

Swing-N-Slide

1212 Barberry Drive
Janesville, WI 53545
1-800-888-1232
www.swing-n-slide.com

(1) Name Plate

ALPINE REQUIRED HARDWARE (Not Included)



(3 lbs) 2-1/2" screws



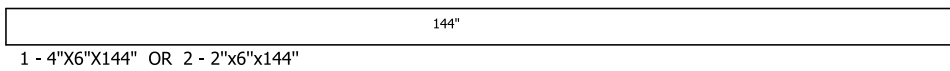
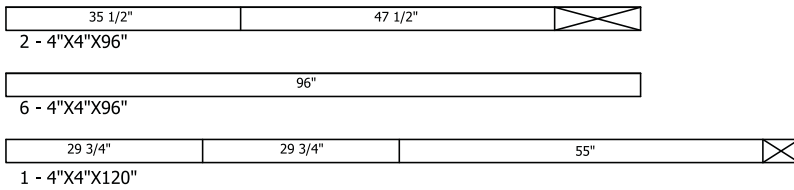
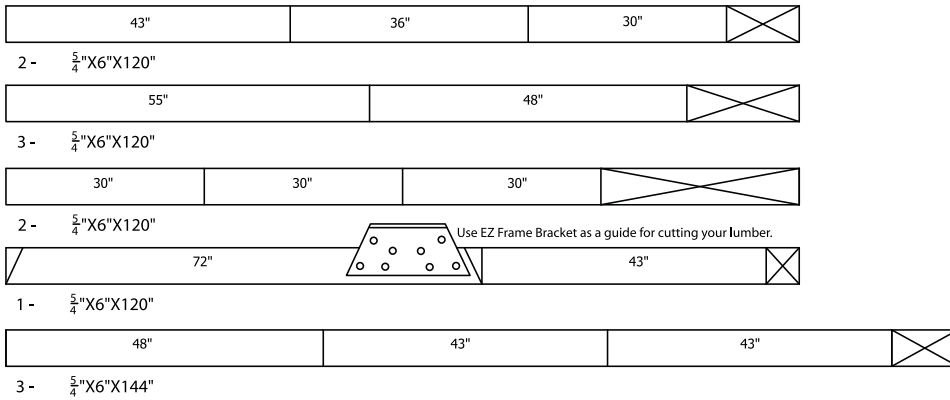
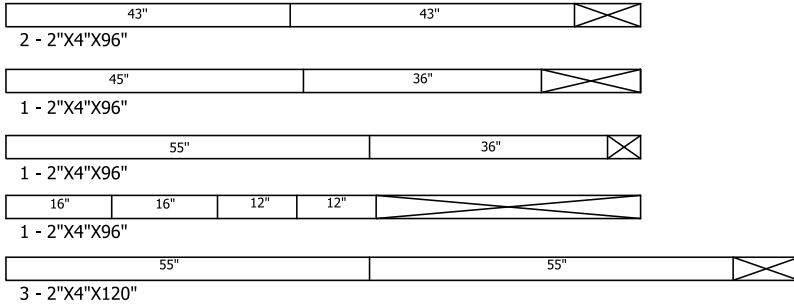
(1 lb) 2" screws



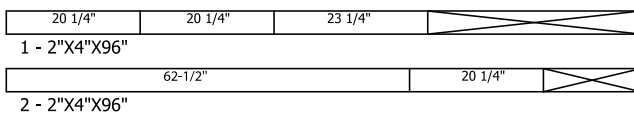
(1 lb) 1-1/4" screws

ALPINE

- 5 - 2"x4"x96"
- 3 - 2"x4"x120"
- 8 - 5/4"x6"x120"
- 3 - 5/4"x6"x144"
- 8 - 4"x4"x96"
- 1 - 4"x4"x120"
- 1 - 4"x6"x144"
- or
- 2 - 2"x6"x144"
- OPTIONAL LADDER
- 3 - 2"x4"x96"



OPTIONAL LADDER



How to select the correct fastener

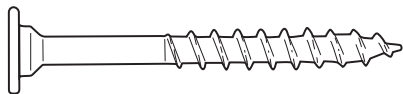
Use these 3 pictorial guides to help select the correct fastener(s) for the lumber attachment you are making. Each diagram will highlight the correct number of fasteners to use, and where to attach them.

5/4" x 6" to 4" x 4"



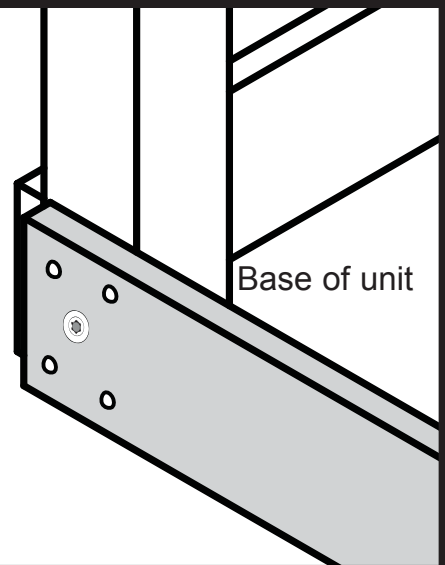
(4) 2-1/2" screws

Apply the 2-1/2" screws to secure the 5/4" boards to the 4"x4" uprights as shown.



(1) 2" lag screw

After attaching the 2 1/2" screws, apply the center (1) 2" lag screw as shown for additional support.

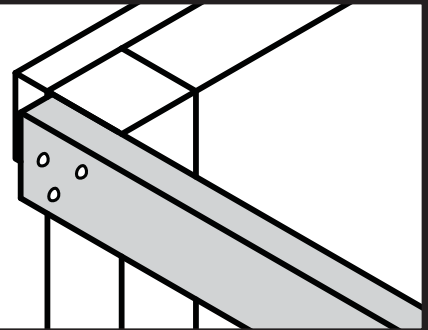


2" x 4" to 4" x 4"



(3) 2-1/2" screws

Apply 2 1/2" screws to the 2"x4" boards when attaching to 4"x4" uprights.

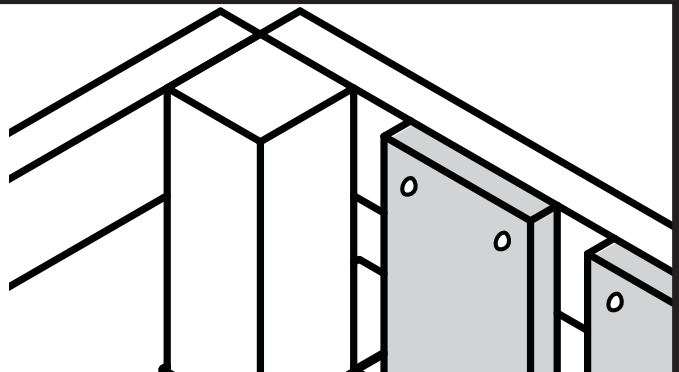


5/4" x 6" to 2" x 4"

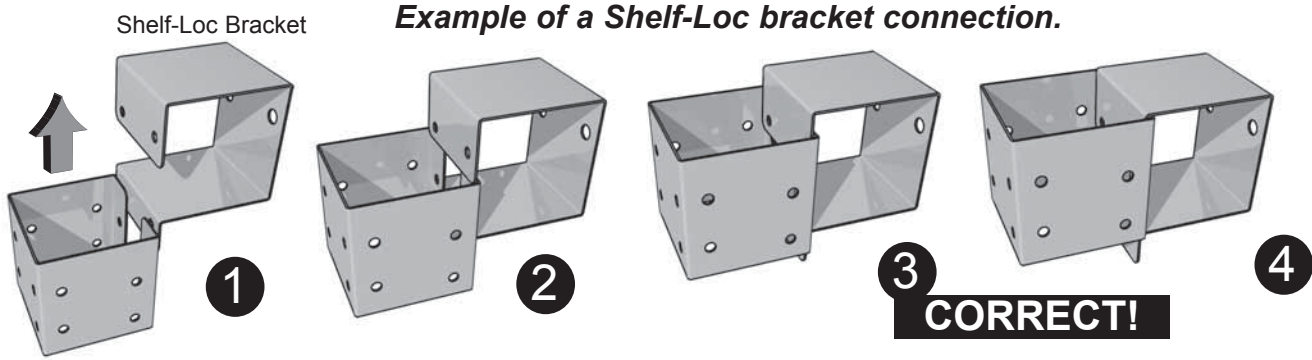


(2) 2" screws

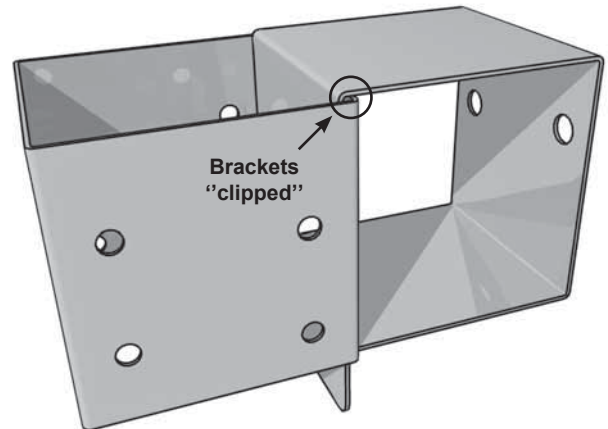
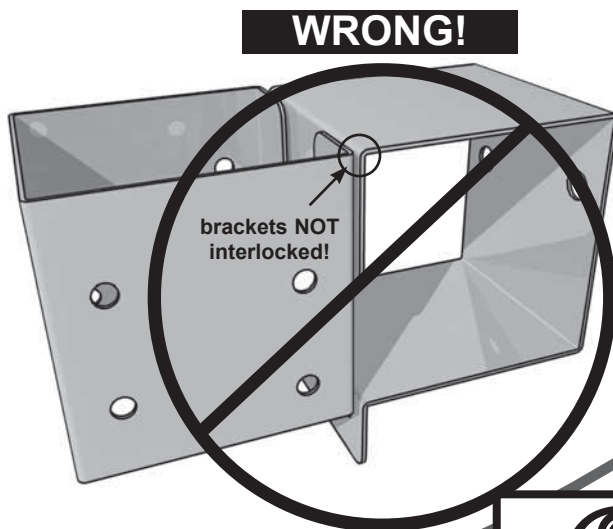
Use 2" screws when mounting 5/4" boards to 2"x4" boards.



Understanding how the Bracket System Works

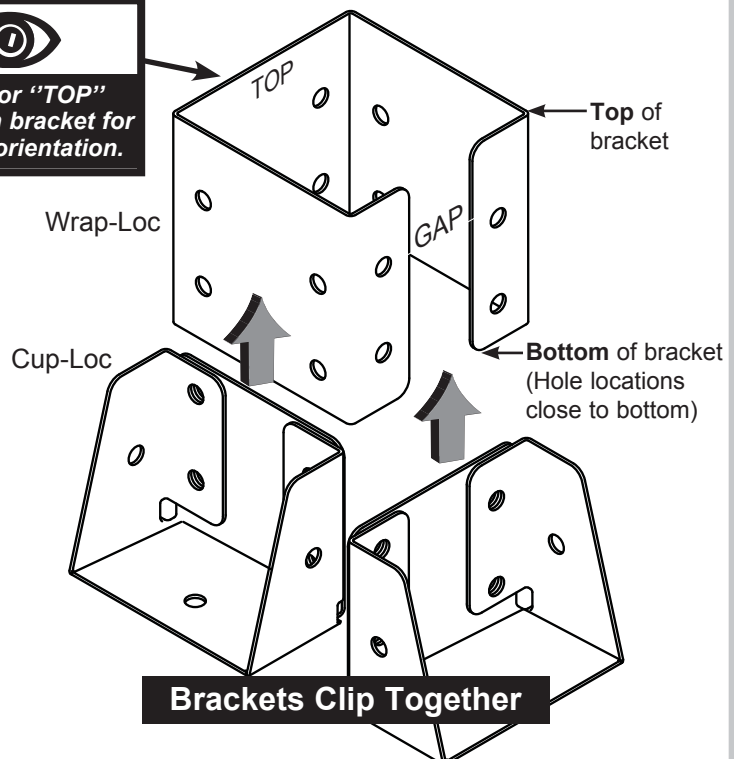


Wrap-Loc



Example of a Cup-Loc bracket connection.

 Look for "TOP" stamp on bracket for correct orientation.



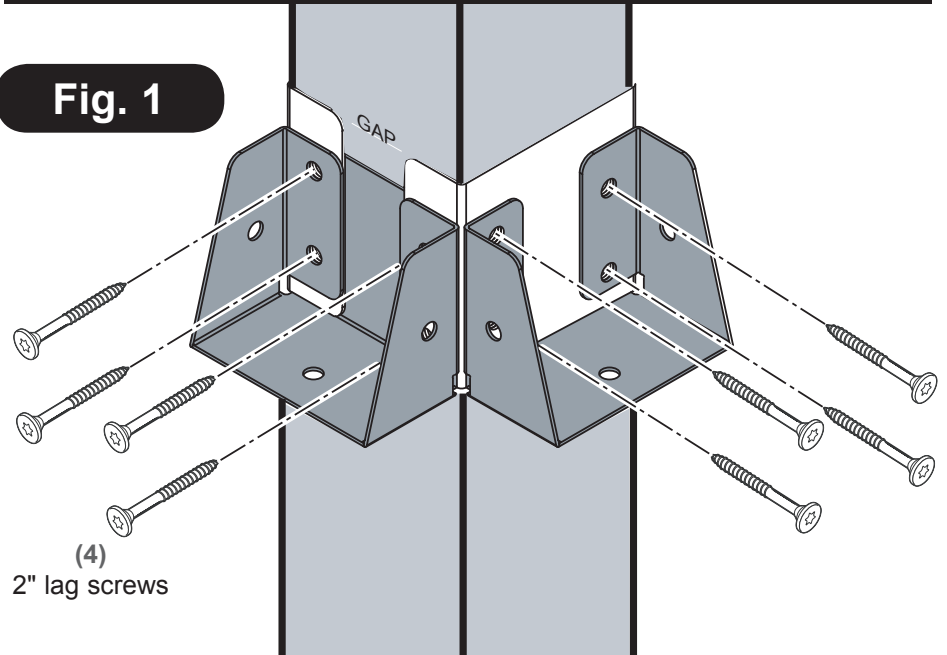
Introduction to the Bracket system

1. **ALWAYS** Use 2" lag screws on all brackets.
2. Brackets "clip" to each other. **NEVER** position in a non-interlocking position.

4" x 4" x 96"

REMEMBER: Brackets are inter-locking. Cup-loc will clip and secure into the Wrap-Loc as shown below.

Fig. 1



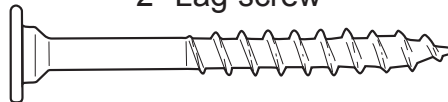
Repeat 4x

43-1/4"

A. Frame Construction

1. Measure and position brackets on (4) 4" x 4" x 96" as shown in (Fig.1).

2" Lag screw



X 8 (4 each bracket)

Wrap-Loc opening must be positioned as shown in these locations below for later use. (See page 24)

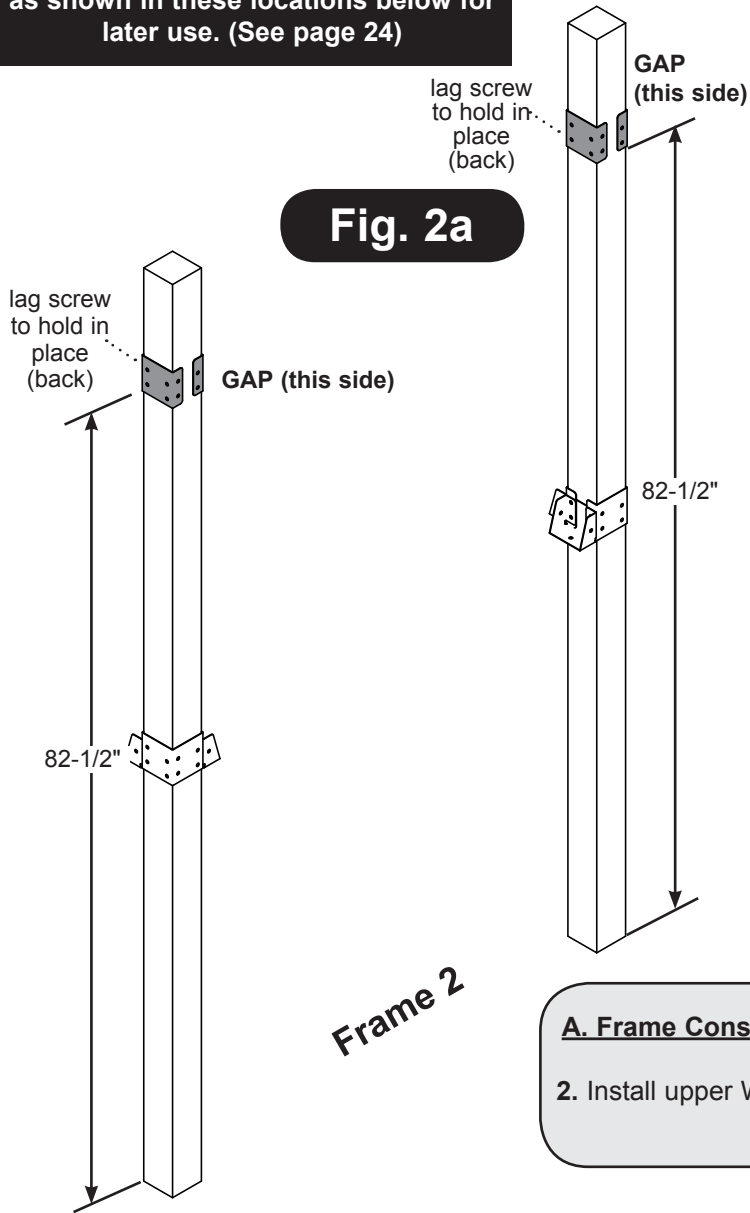
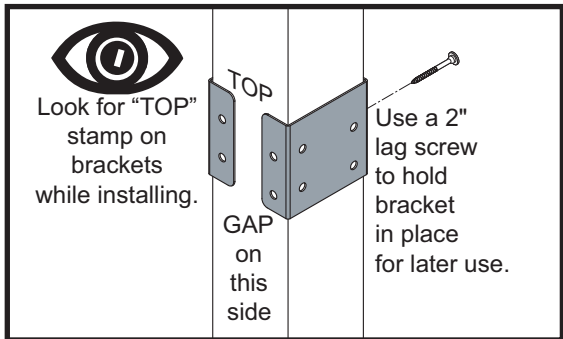


Fig. 2a

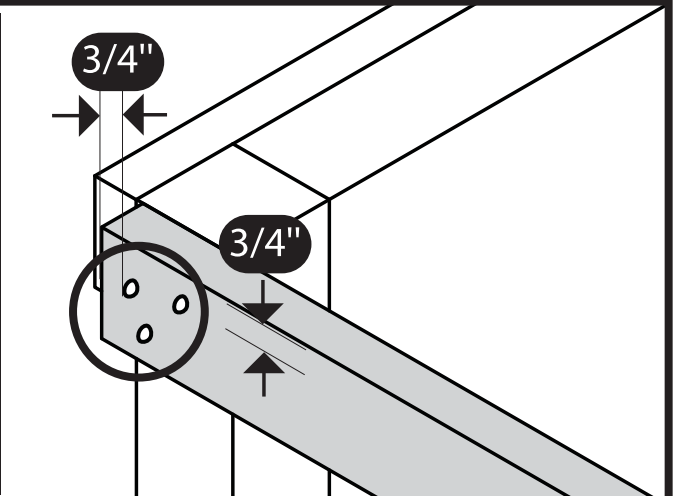
Fig. 2



A. Frame Construction (cont.)

2. Install upper Wrap-Brackets to Frame 2 as shown in (Fig. 2a)

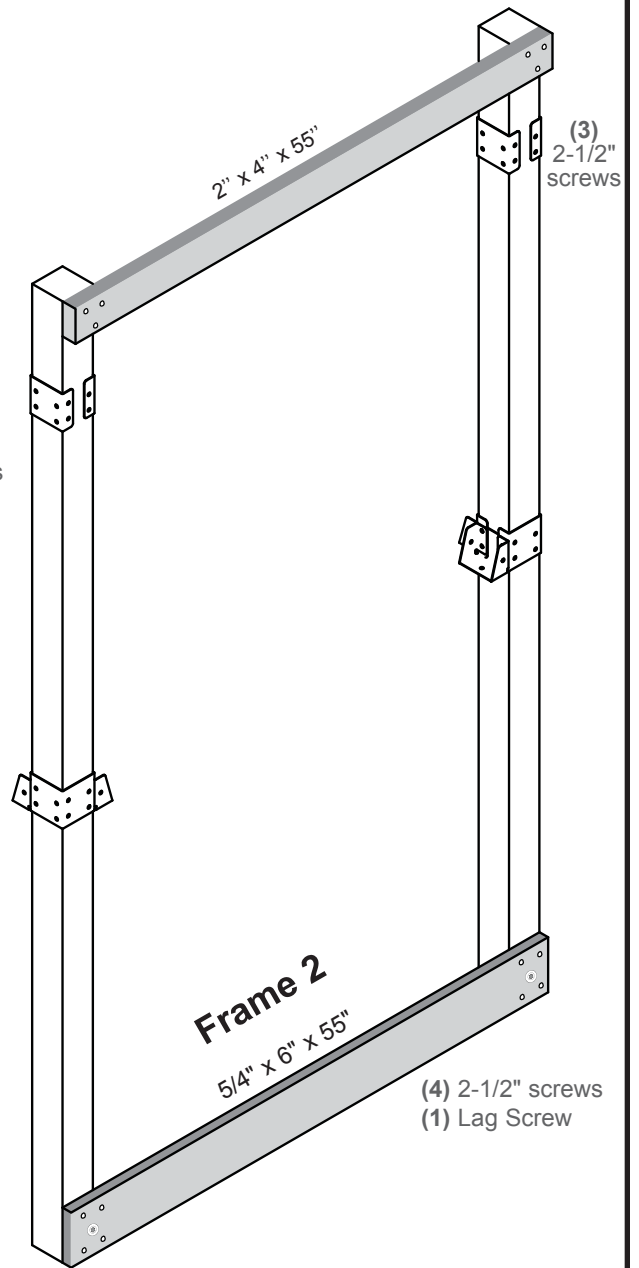
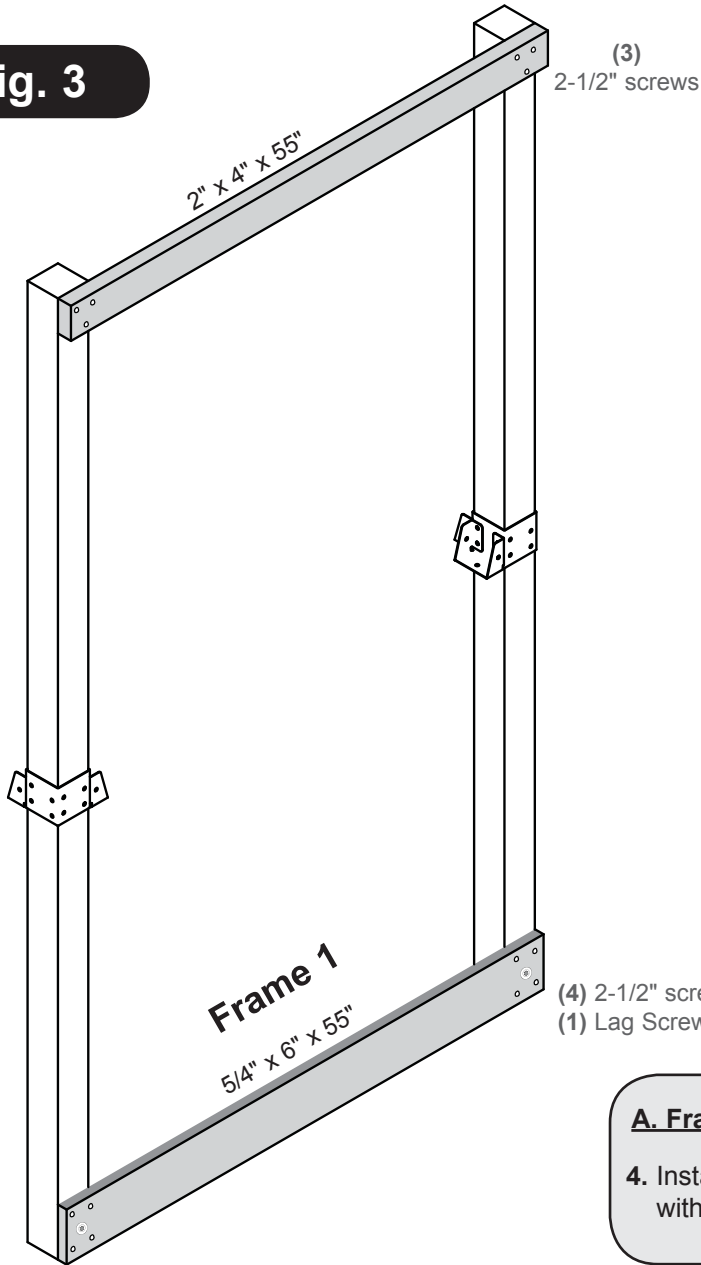
•WARNING•
 Avoid splitting your lumber by offsetting your screws or nails at least 3/4" from the edge.



A. Frame Construction (cont.)

3. Install upper 2" x 4" boards. Edges are to be flush with 4" x 4"s.

Fig. 3



A. Frame Construction (cont.)

4. Install lower 5/4" boards. Edges are to be flush with 4" x 4"s.

2-1/2" screw



2" Lag screw

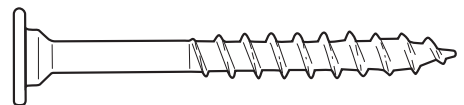


Fig. 4

(3) 2-1/2" screws

2" x 4" x 43"

2" x 4" x 43"

A. Frame Construction (cont.)

5. Attach upper 2" x 4" as shown in (Fig. 4). Edges are to be flush with 4" x 4"s.

Frame 1

5/4" x 6" x 43"

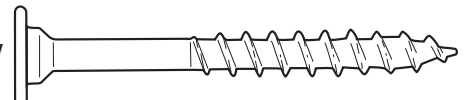
(4) 2-1/2" screws
(1) Lag Screw

5/4" x 6" x 43"

A. Frame Construction (cont.)

6. Attach lower 5/4" boards as shown in (Fig. 4). Edges are to be flush with 4" x 4"s.

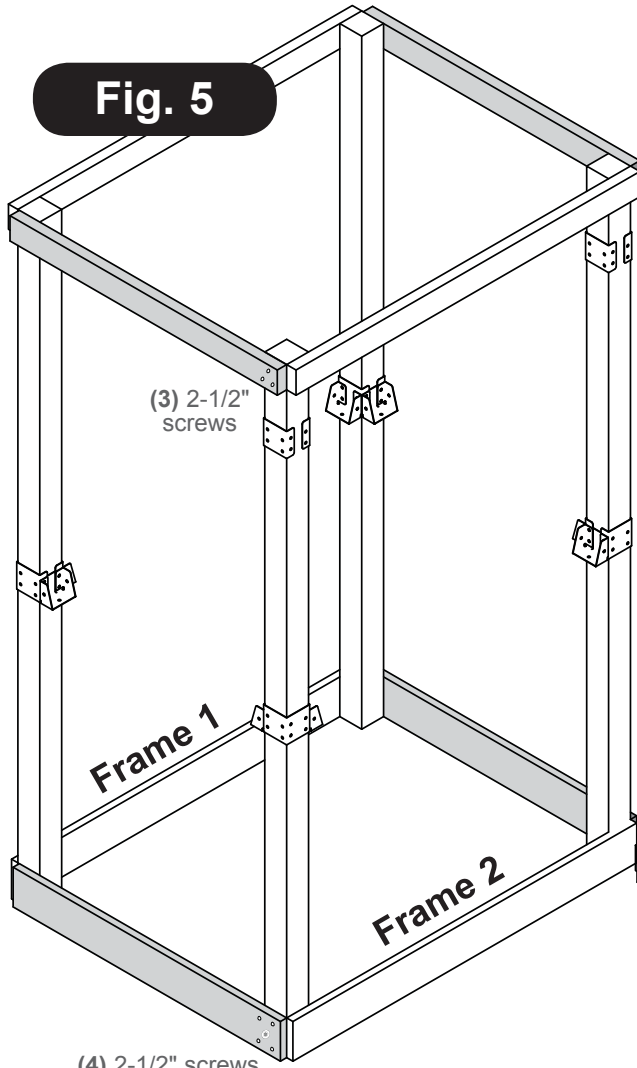
2" Lag screw



2-1/2" screw



Fig. 5



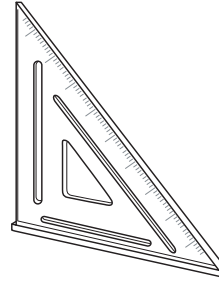
(3) 2-1/2" screws

Frame 1

Frame 2

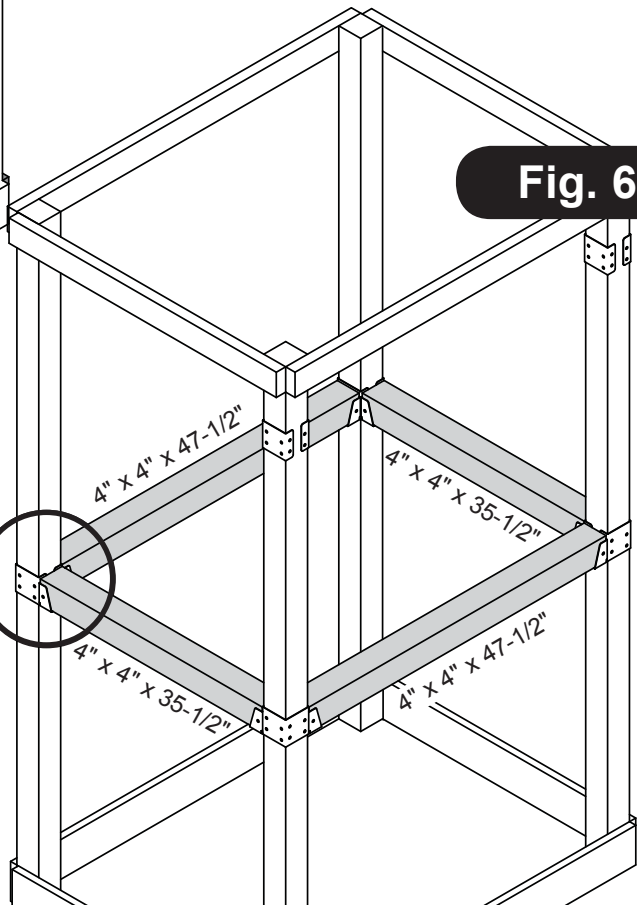
A. Frame Construction (cont.)

7. Secure upper 2" x 4" and lower 5/4" boards to **Frame 2** as shown in (Fig. 5). Edges are to be flush with 4" x 4"s.



Double check to make sure structure is square

Fig. 6



(4) 2-1/2" screws
(1) Lag Screw

(6)
2" lag screws
(3 each Cup-Loc)

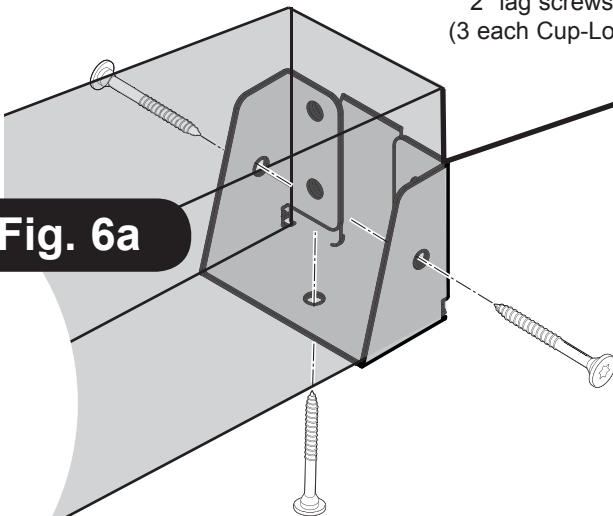
4" x 4" x 47-1/2"

4" x 4" x 35-1/2"

4" x 4" x 35-1/2"

4" x 4" x 47-1/2"

Fig. 6a



2" Lag screw **X 3**

A. Frame Construction (cont.)

8. Install 4" x 4" beams as shown in (Fig. 6).
9. Install lag screws at each corner location as shown in (Fig. 6a)

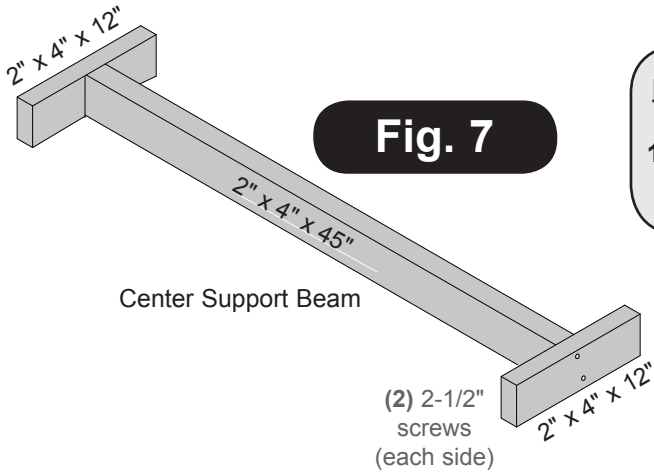


Fig. 7

B. Center Support Beam
 1. Construct center support beam following the instructions in (Fig. 7).

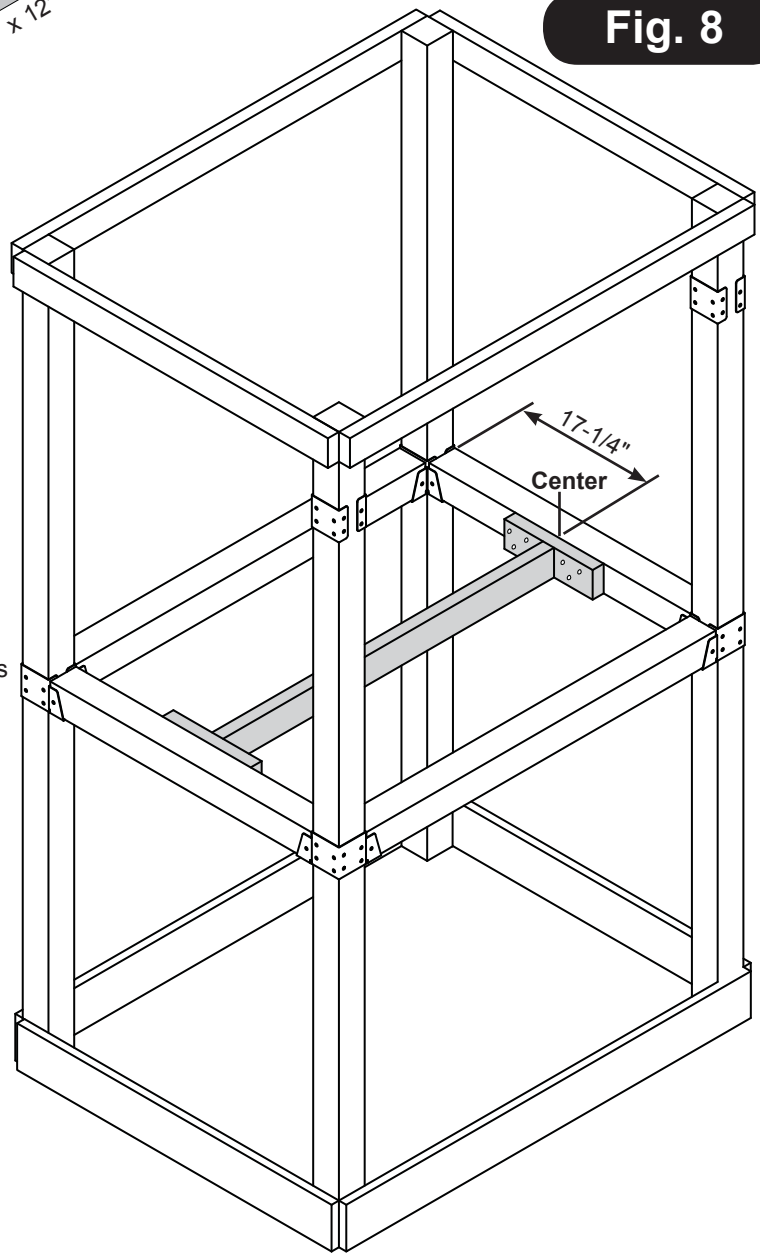
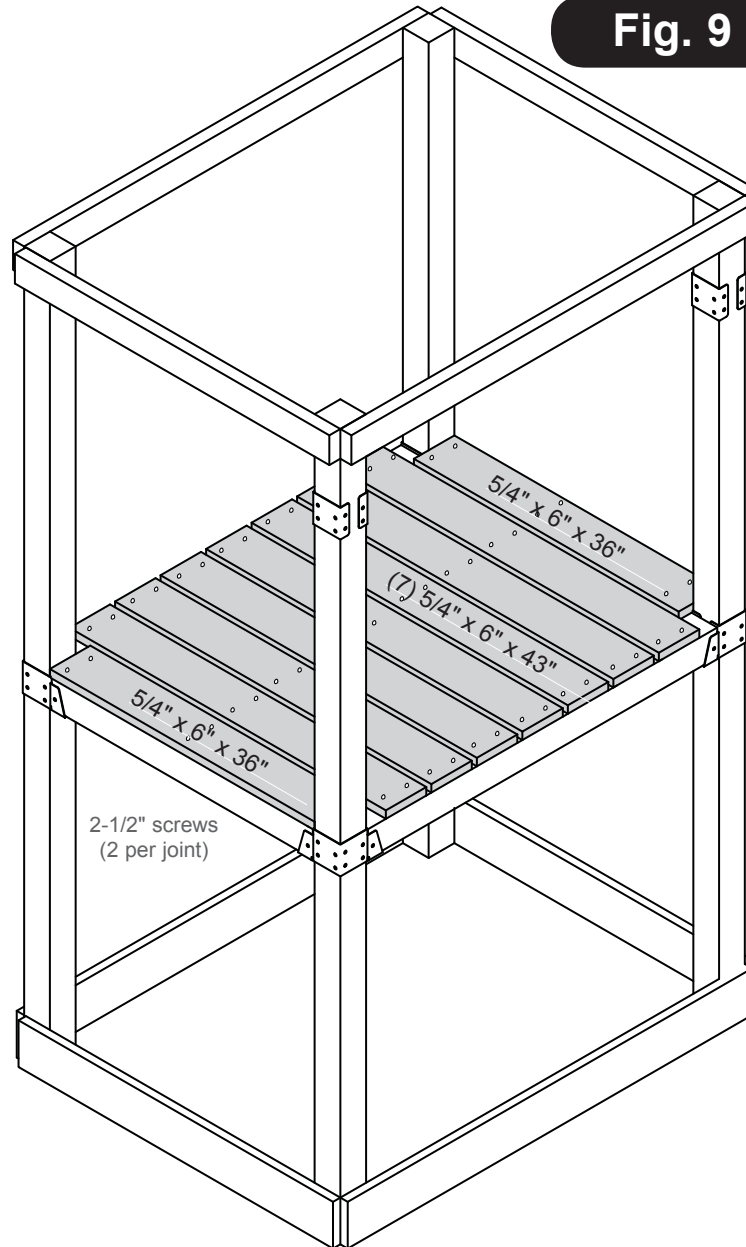


Fig. 8

B. Center Support Beam cont.
 2. Secure center support beam to structure as shown in (Fig. 8).



Fig. 9



2-1/2" screw



C. Install Deck Boards

1. Install 5/4" deck boards to structure as shown (**Fig. 9**).
2. Use two 2-1/2" screws at center and each end of deck boards.
Note: Screws at center will attach to center support.

Fig. 10

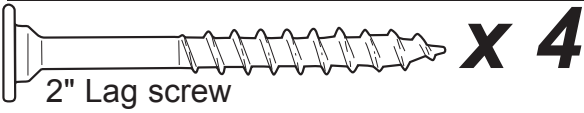
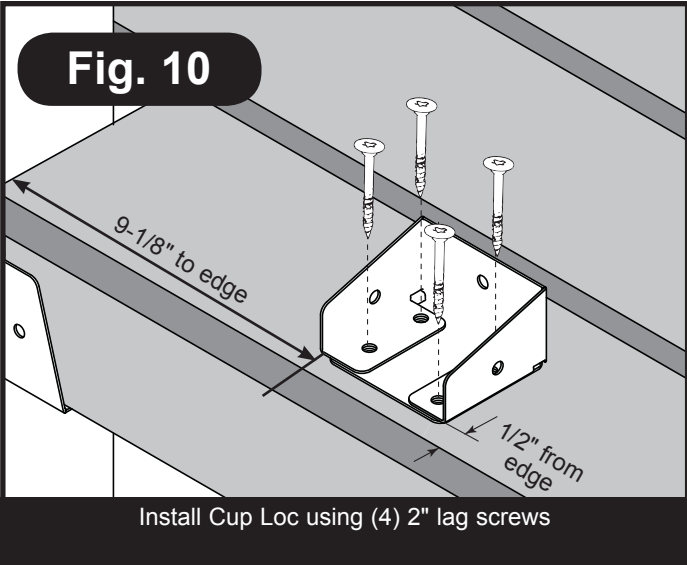
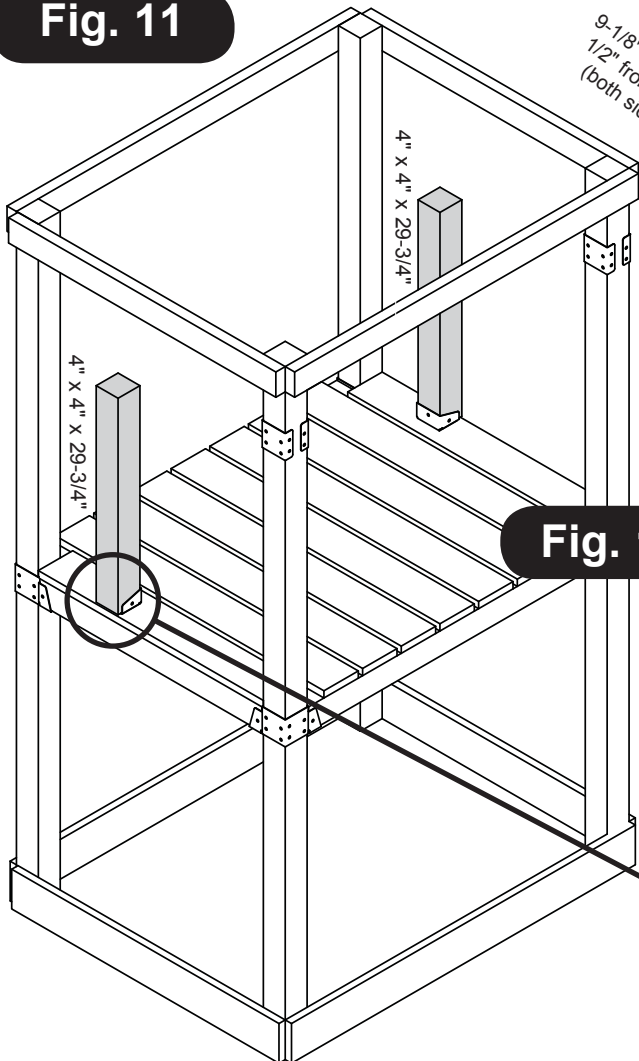


Fig. 11



D. Install 4x4 Rail Supports

1. Install (2) Cup Loc as shown in (Fig.10), (Fig 10a).
2. Install (2) 4" x 4" x 29-3/4" as shown in (Fig. 11) and (Fig. 11a).

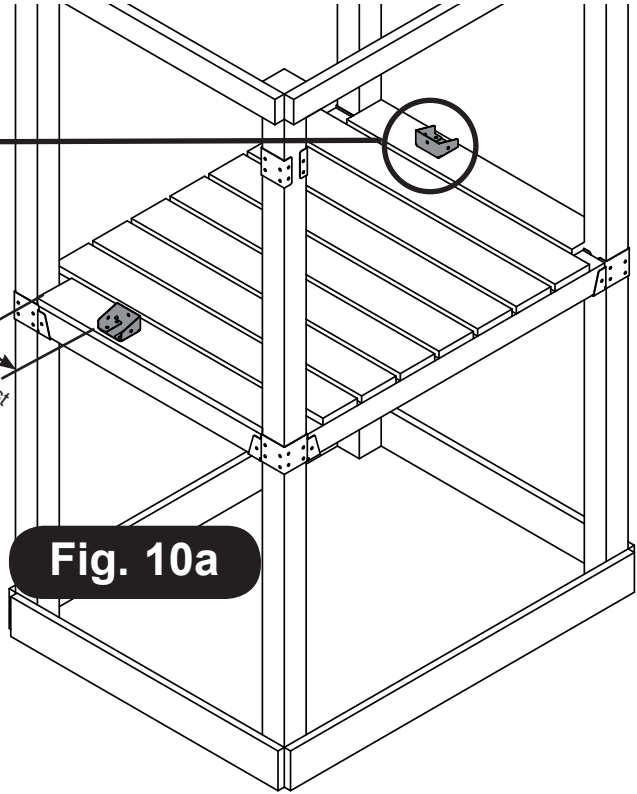
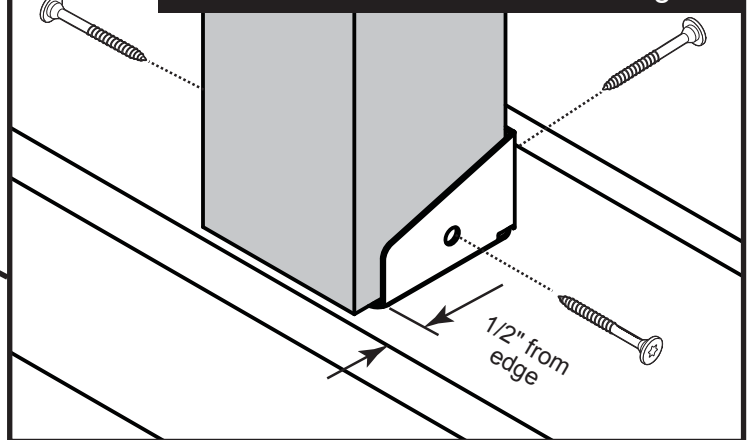


Fig. 11a

Secure 4" x 4" uprights with (3) 2" lag screws
Bracket should be 1/2" from edge



2" Lag screw

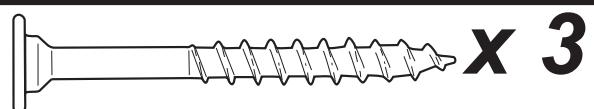
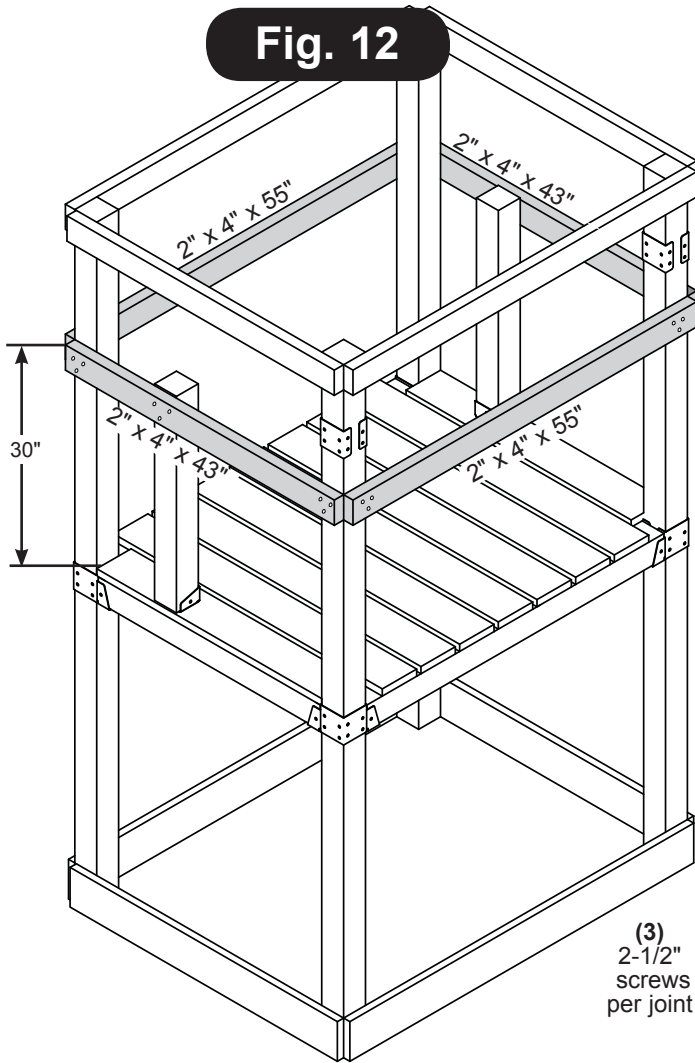


Fig. 12



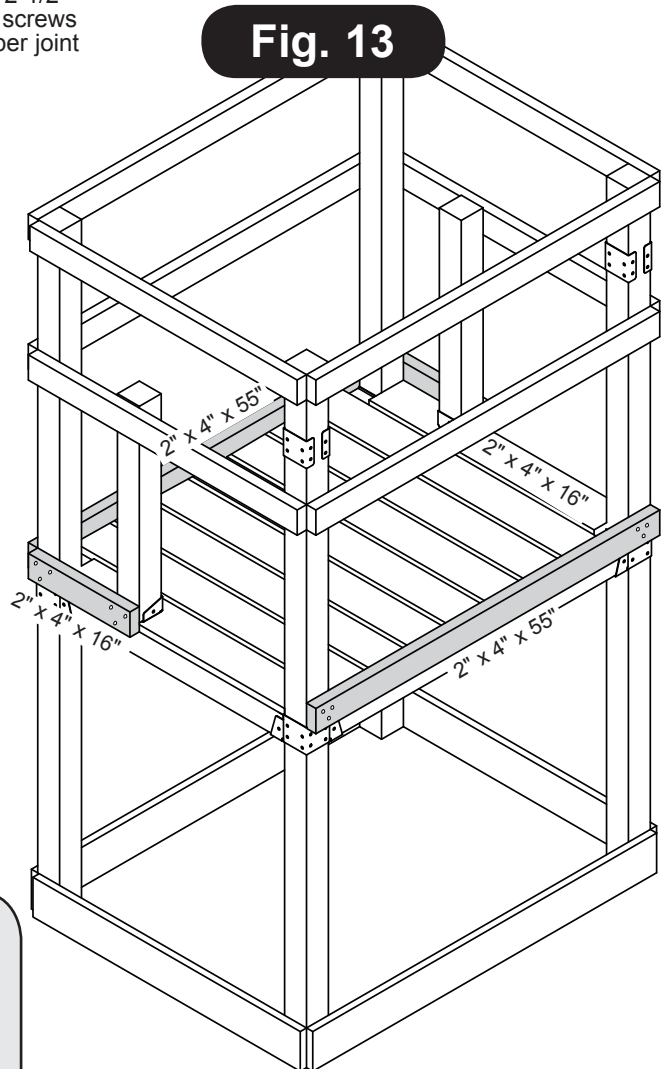
E. Install Upper Rail Boards

1. Install upper 2" x 4" rail boards 30" above the deck as shown in (Fig 12).

Note: Measure from Top of 5/4" board to top of 2" x 4" rail board.

(3)
2-1/2"
screws
per joint

Fig. 13



(3)
2-1/2"
screws
per joint

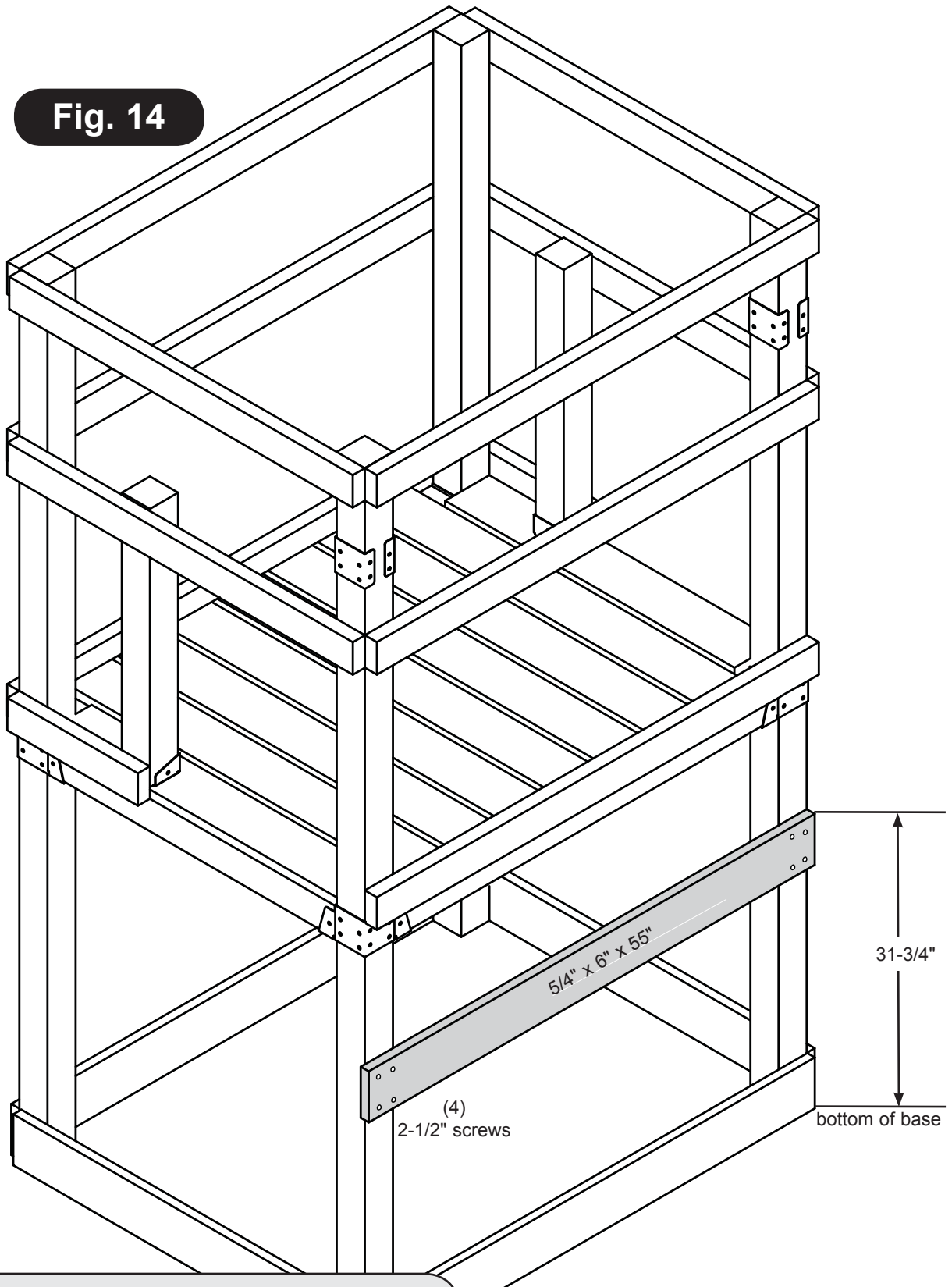
F. Install Lower Rail Boards

1. Install lower 2" x 4" rail boards as shown in (Fig 13).
Flush with the top of 4" x 4" deck supports.



2-1/2" screw

Fig. 14



G. Install Protective Barrier Board

1. Secure protective 5/4" barrier board as shown in (Fig 14).



2-1/2" screw

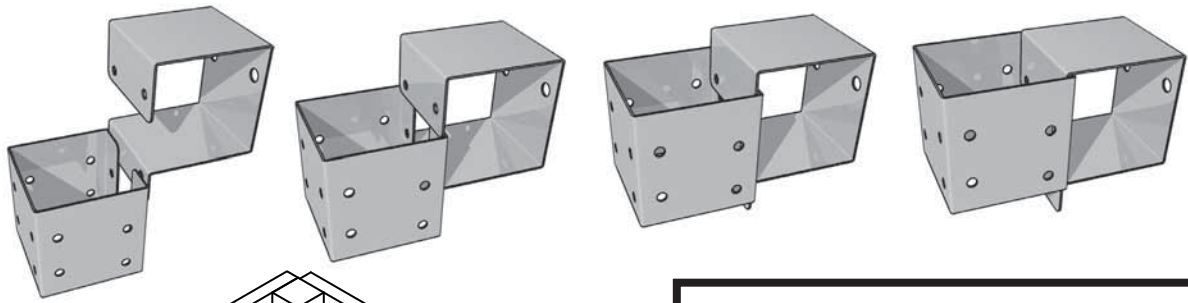


Fig. 15

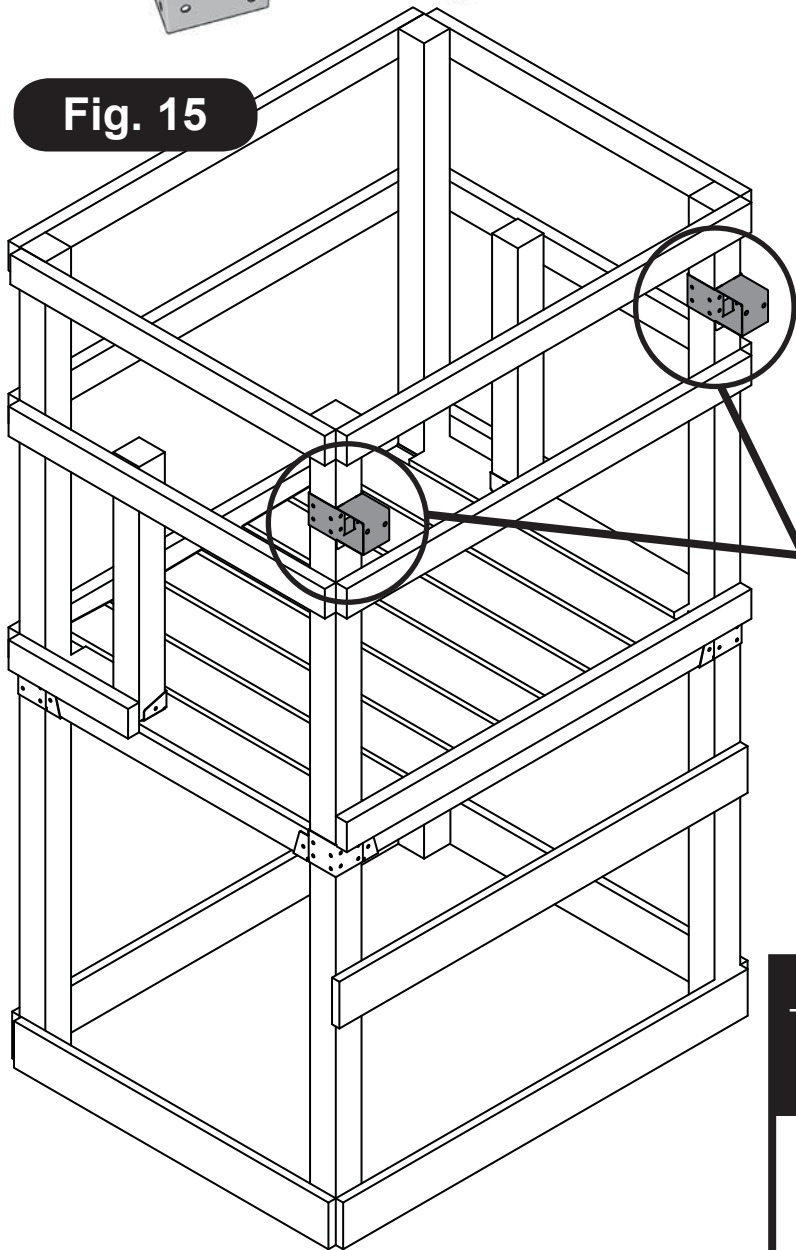
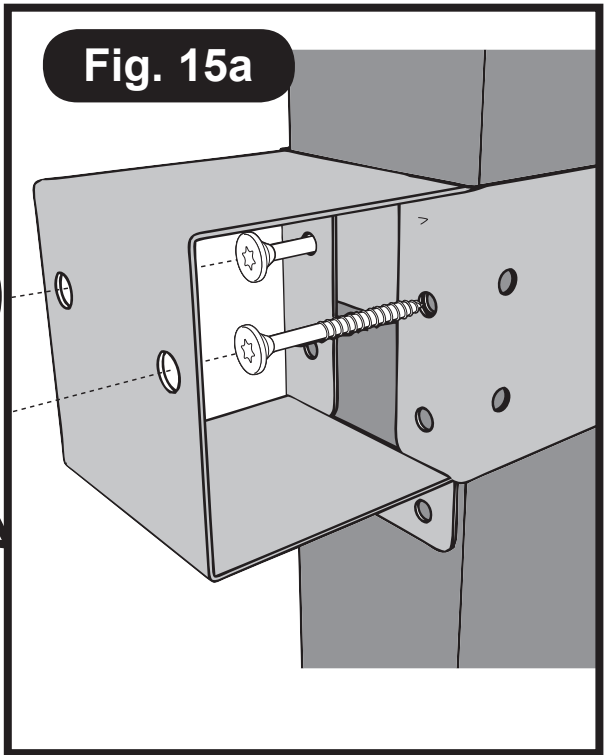


Fig. 15a



2" Lag screw **x 2**

Tip: Flex brackets to make installation of 4" x 4" easier

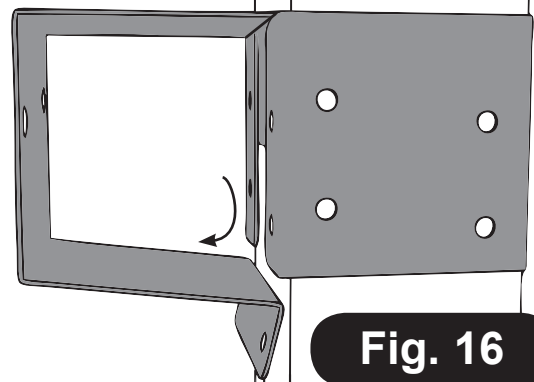


Fig. 16

Approx. 1/4"

H. Install Accessory Brackets

1. Secure Shelf-Loc brackets onto Wrap-Loc as shown in (Fig. 15), (Fig. 15a), (Fig. 16).

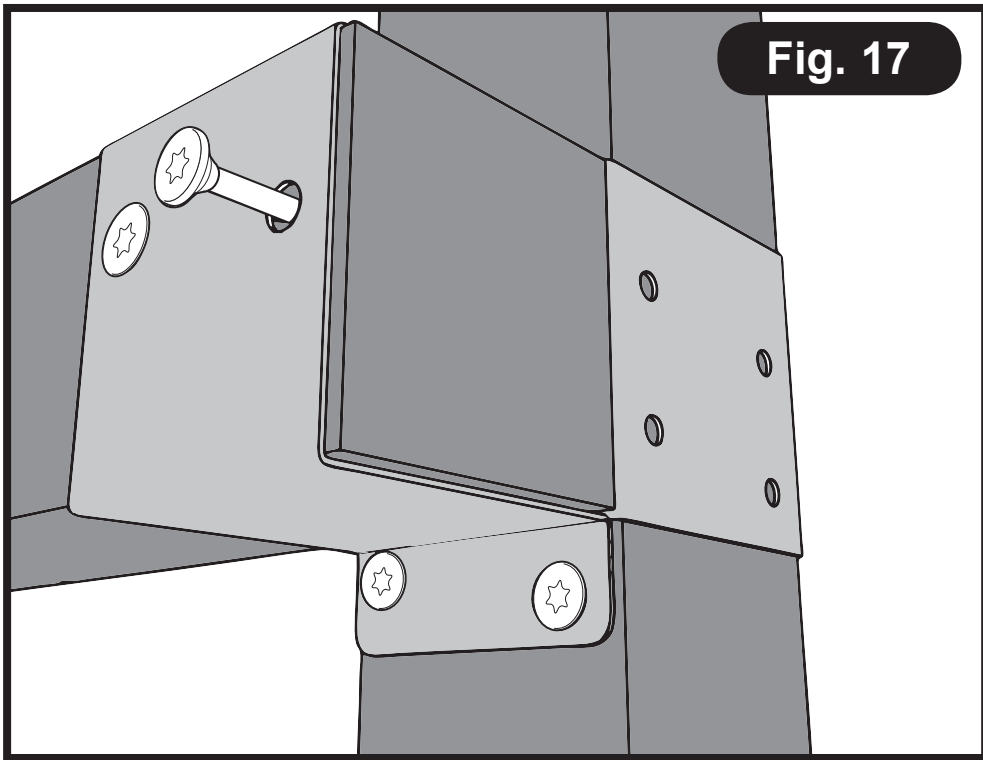


Fig. 17



2" Lag screw **X 4**

I. Install Accessory 4x4

1. Work 4" x 4" into brackets as shown in (Fig. 17).
2. Secure brackets (Fig. 17a).

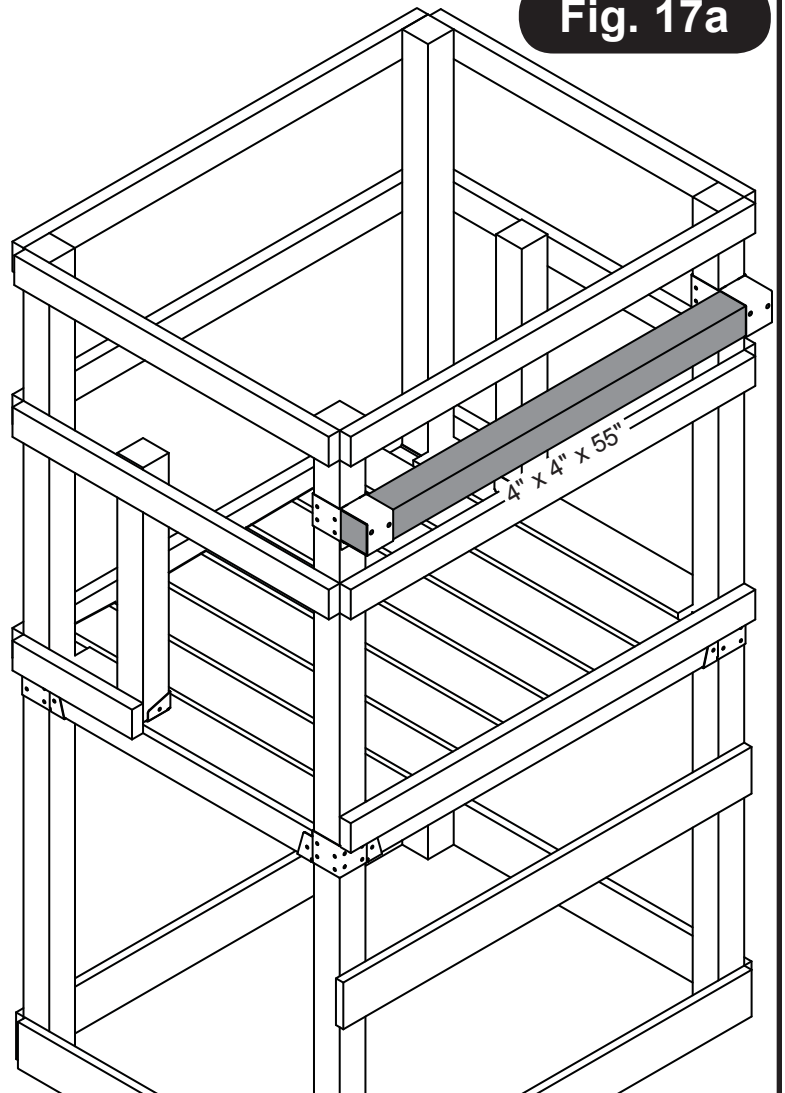
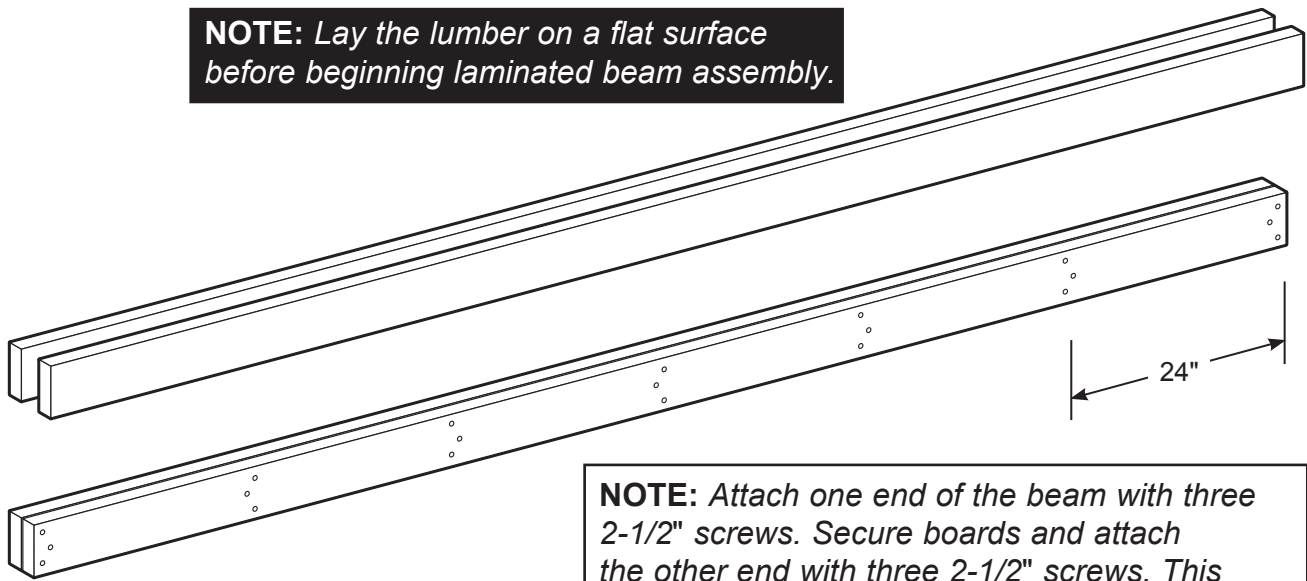


Fig. 17a

Optional Laminated Beam

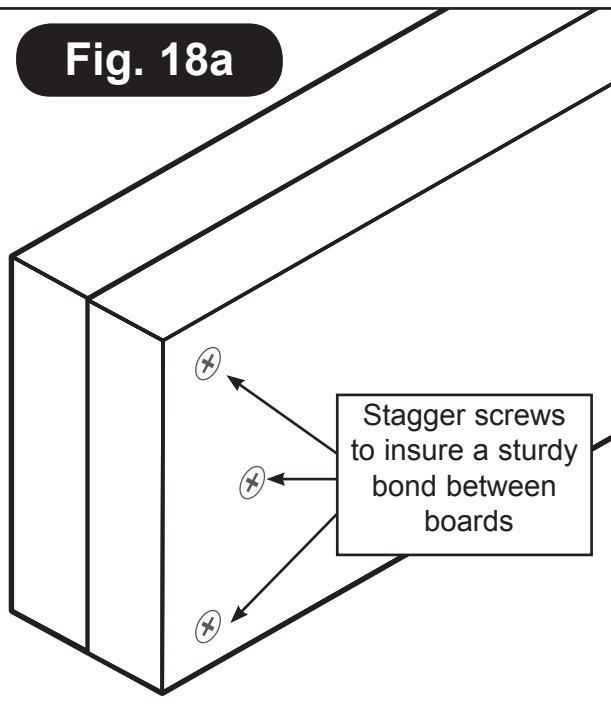
Fig. 18

NOTE: Lay the lumber on a flat surface before beginning laminated beam assembly.



NOTE: Attach one end of the beam with three 2-1/2" screws. Secure boards and attach the other end with three 2-1/2" screws. This will insure that your boards will stay aligned throughout the remainder of the beam assembly.

Fig. 18a



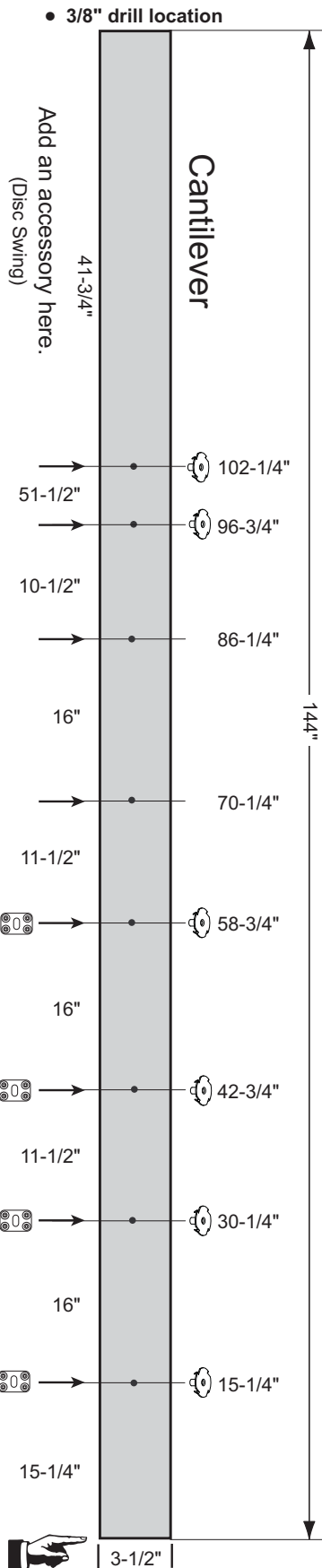
NOTE: It is highly recommended that screws be used when laminating the Swing Beam.

K. Laminated Beam Instructions

1. If 4" x 6" lumber is not available, you may laminate two 2" x 6" x 144" pieces of lumber together to create the beam.
2. Lay the lumber on a flat surface and align all of the edges. **NOTE:** Make sure each piece of lumber is the same length. If it is not, trim board(s).
3. From the end of each board, measure and place a mark at 24" intervals (**Fig. 18**).
4. Assemble the beam by attaching each end together using three 2-1/2" screws (**Fig. 18a**).

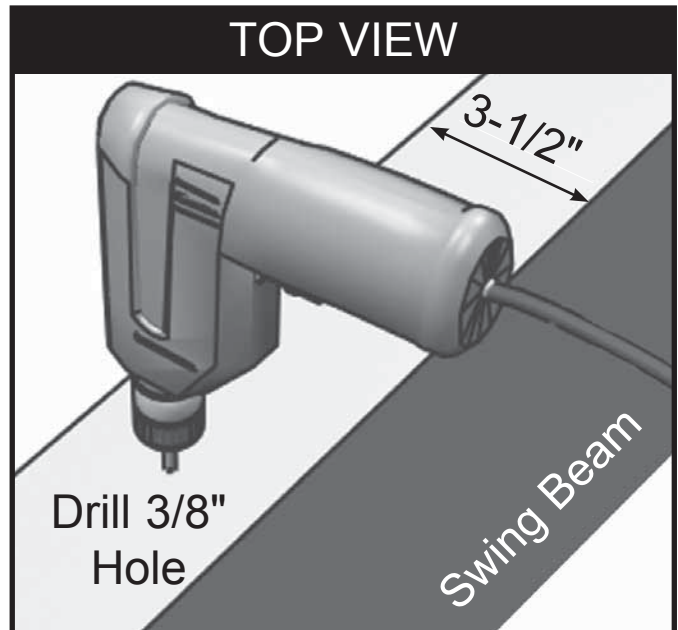
Note: Stagger the screws as shown in (**Fig. 18a**) to insure a sturdy bond. Repeat every 24" along the entire length of the beam. When beam is complete, measure, drill holes, and attach beam clamps and nylon bushing swing hangers

Fig. 19



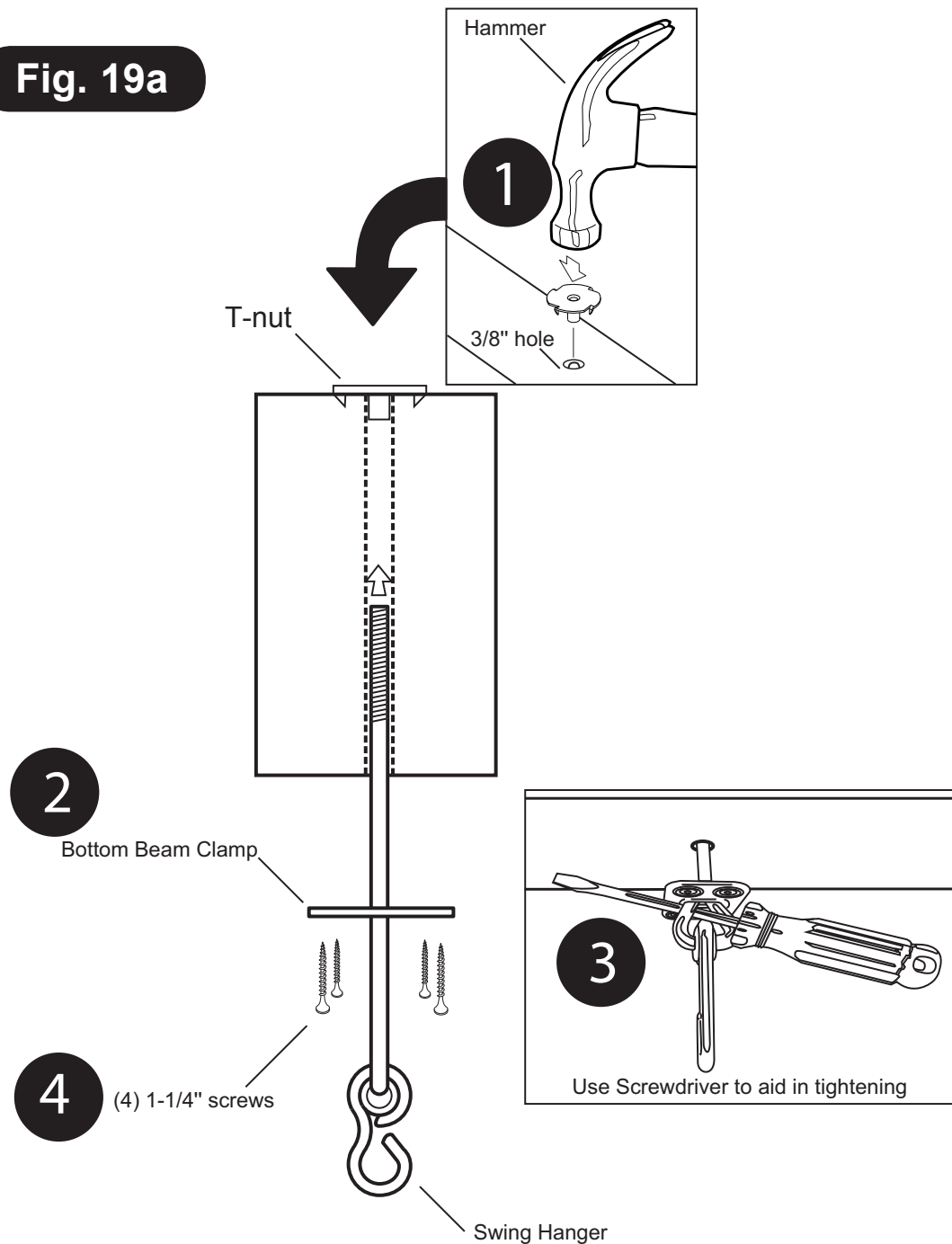
J. Swing Beam Drill Locations

1. Use a 3/8" drill bit to drill a 3/8" hole through the center of the beam at each location shown in (Fig. 19)
2. Tap T-nut into swing beam at locations shown.



playset

Fig. 19a



J. Swing Beam Drill Locations

1. Tap T-nut into 3/8" hole as shown in **(Fig. 19a)**

Note: If using Laminated Swing Beam, make sure t-nut teeth do not fall between seams of 2" x 6"s.

2. Place a bottom beam clamp over the swing hanger as shown in **(Fig. 19a)**

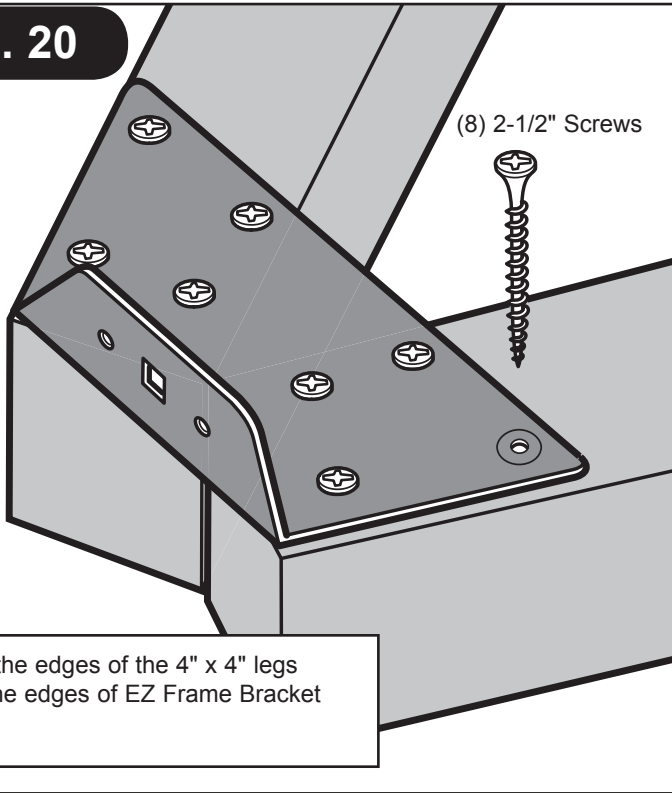
3. Insert the swing hanger into the beam and thread it into the T-nut until it is flush or near flush with the top of the T-nut. A screwdriver may be used to twist the hanger **(Fig. 19a)**. Orient swing hanger as shown in **(Fig. 19a)**.

4. Use (4) 1-1/4" screws to secure beam clamp.

5. Check hanger to ensure it does not spin.

6. Repeat for all four hangers.

Fig. 20



L. A-Frame Assembly

1. layout 4" x 4"s as shown in (Fig. 20)
2. Align EZ Frame Bracket with face of 4" x 4"s.
3. Secure EZ Frame Bracket with (8) 2-1/2" screws to 4" x 4"s making sure they are flush with each other.
4. Secure 5/4" x 6" to 4" x 4"s as shown in (Fig. 21)
5. Flip over and add 2nd bracket. Repeat steps 2 and 3.

Fig. 21

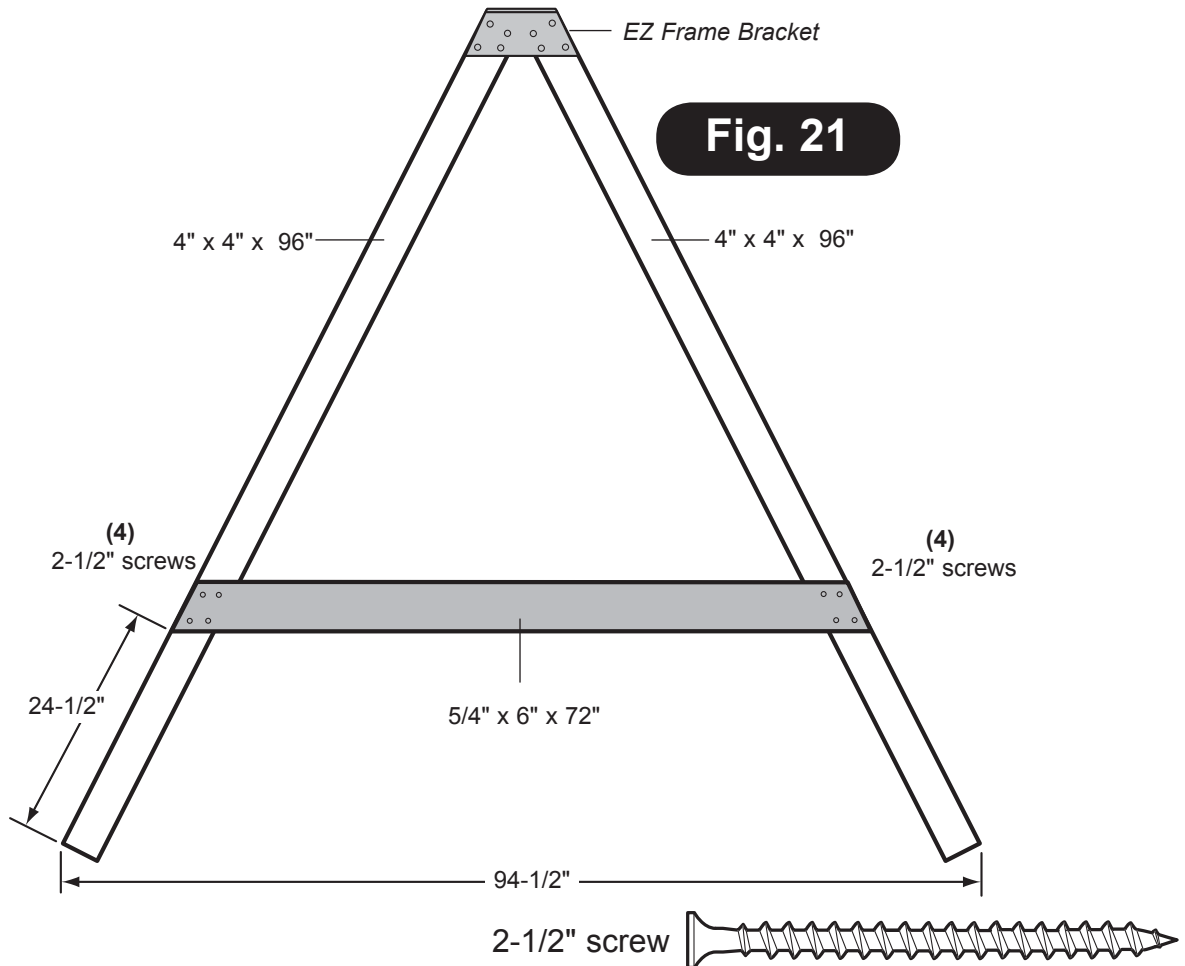
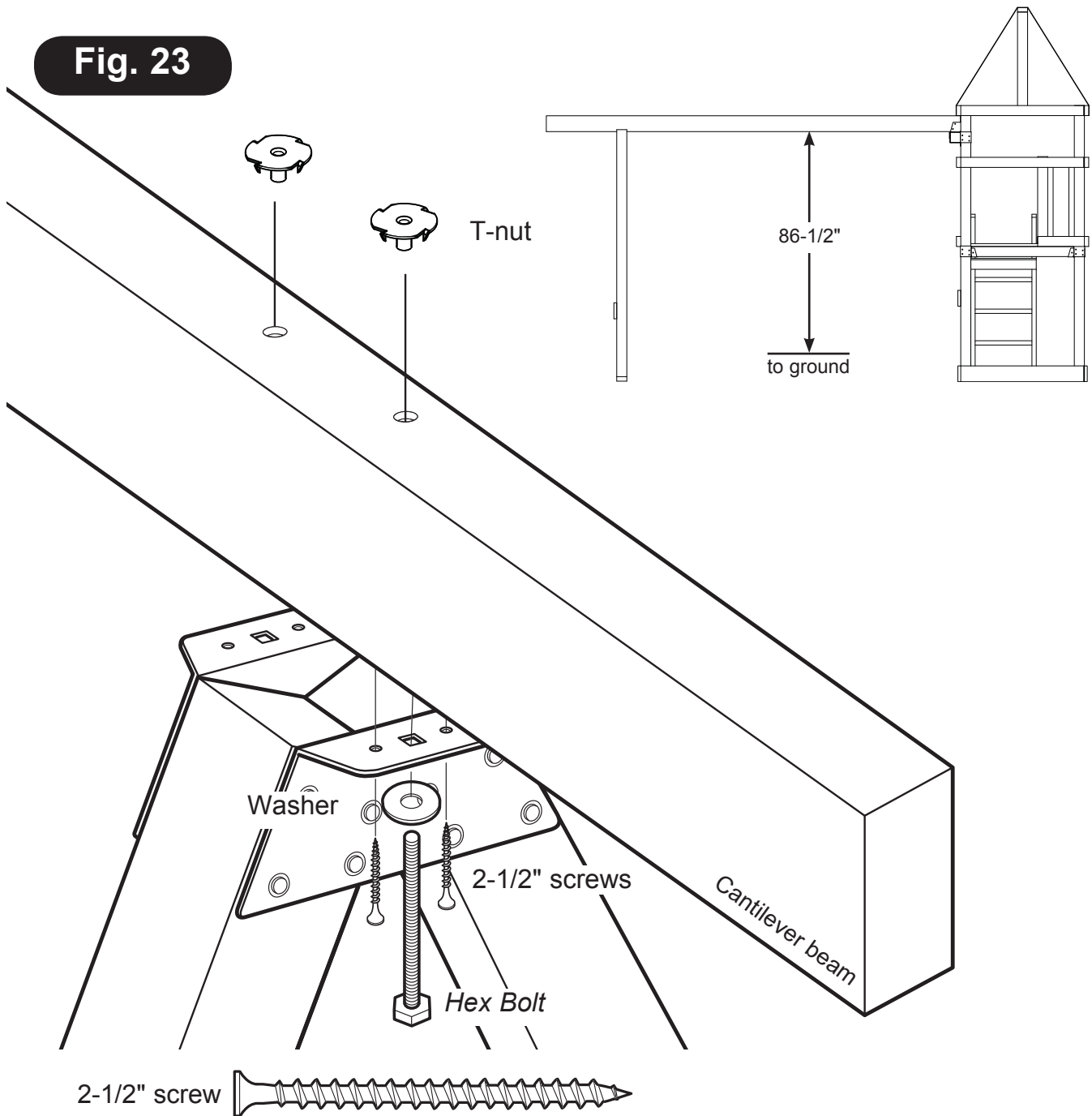


Fig. 23



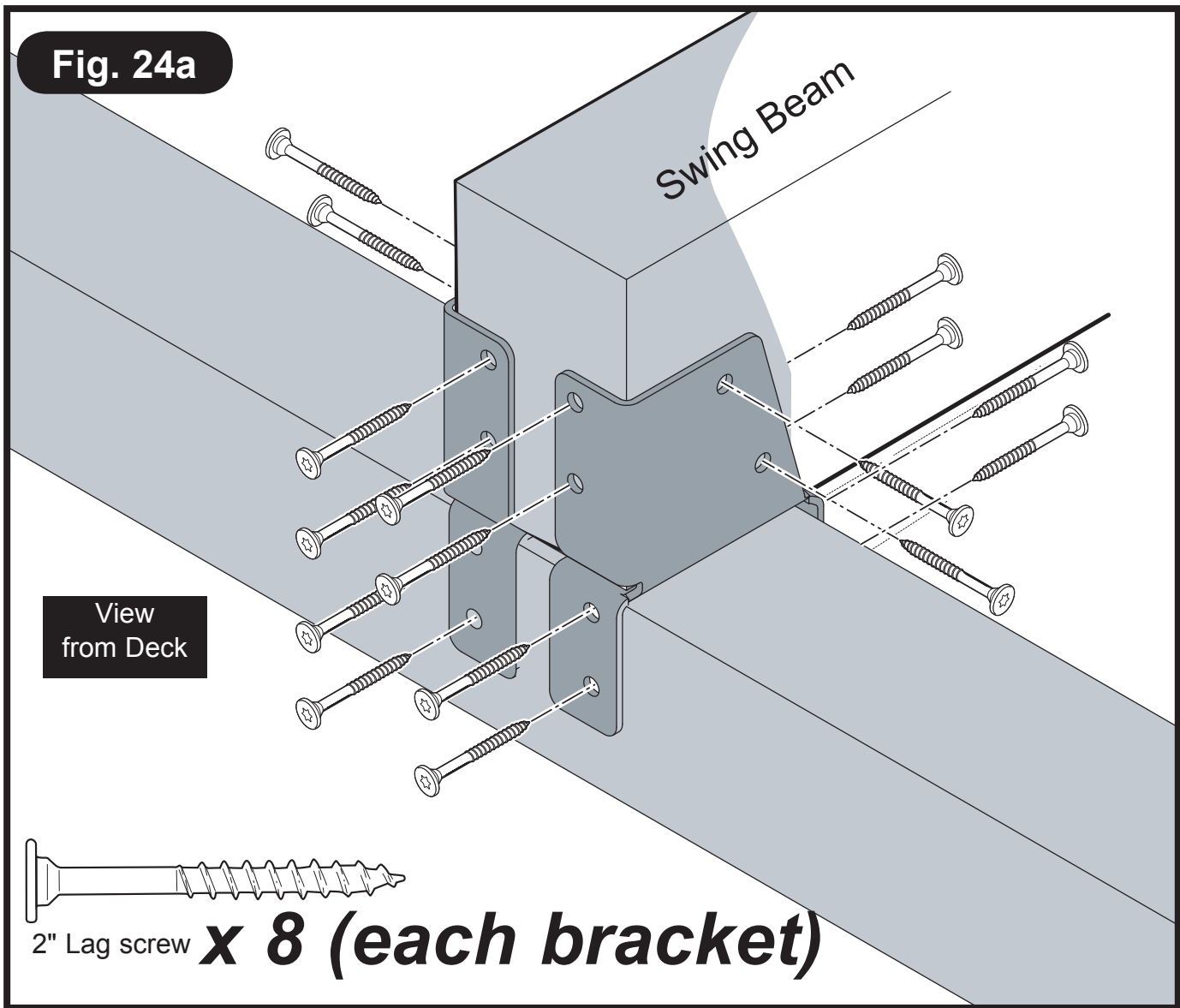
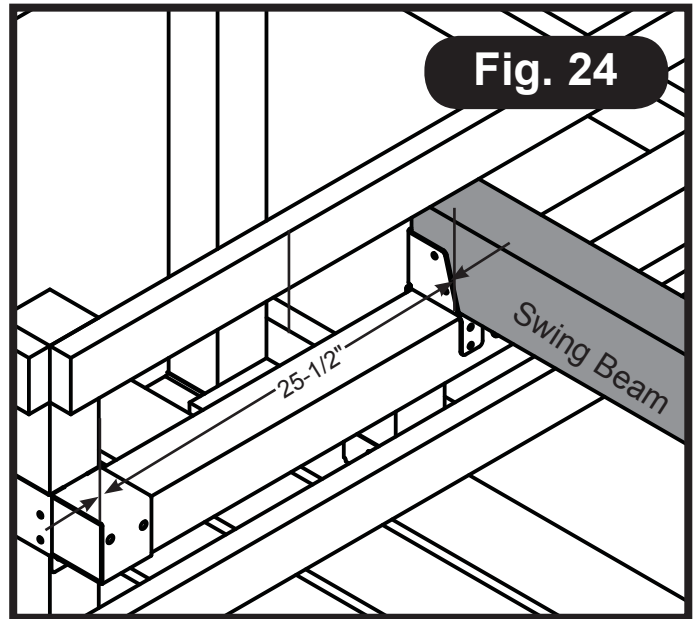
L. A-Frame Assembly cont.


1. Attach A-Frame beam to Swing Beam using (2) hex bolts and 4 screws.
2. Tighten hex bolt to flush with top of T-nut. Repeat on other bracket.

Note: If using Laminated Swing Beam, make sure t-nut teeth do not fall between seams of 2" x 6"s.

L. A-Frame Assembly cont.

1. Position Split-Brackets on 4" x 4" x 55" (Fig 24).
2. With the help of others, lift A-Frame and Swing Beam Assembly and center onto unit as shown in (Fig. 24)
3. Secure as shown in (Fig 24a).




Use 2-1/2" screws
to secure 5/4" x 6"
to 4" x 4"

(2) 2" screws
2 per joint,
top, bottom

Fig. 25

L. Barrier Boards

1. Install 5/4" x 48" barrier boards evenly spaced in the opening.

(2) 2" screws
2 per joint, top,
bottom

(2) 2" screws
2 per joint, top, bottom



Fig. 26

L. Barrier Boards cont.

2. Install 5/4" x 30" barrier boards evenly spaced in the opening.

(2) 2" screws
(2 per joint, top
and bottom)



M. Roof Support.

1. Install 2" x 4" boards as shown.

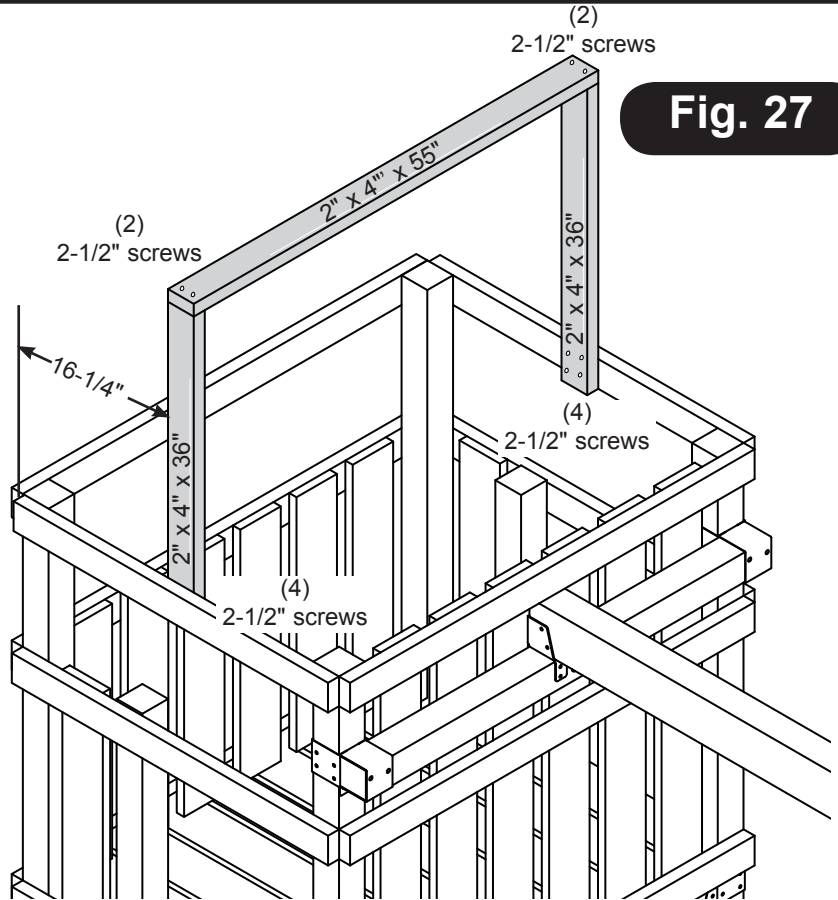


Fig. 27

2-1/2" screw



Fig. 28

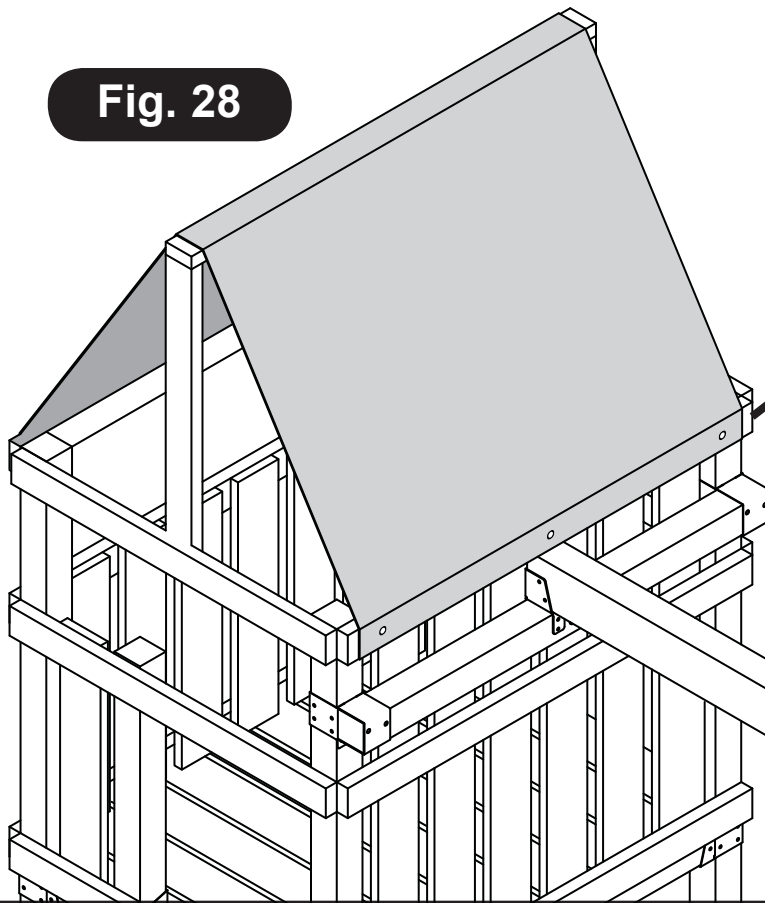
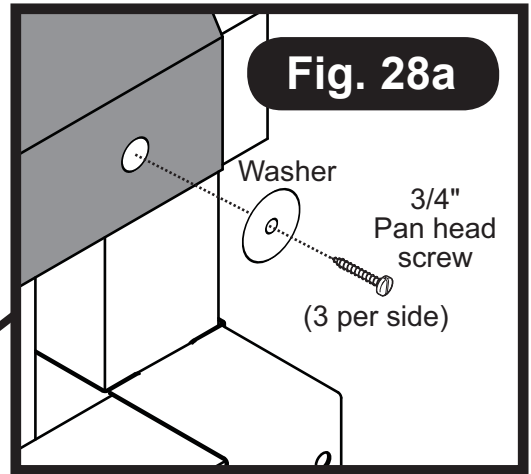
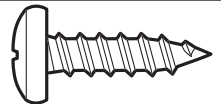


Fig. 28a

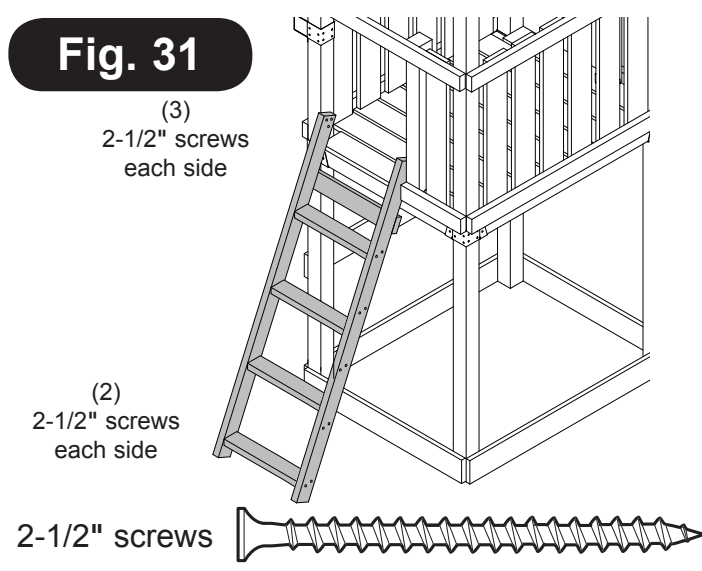
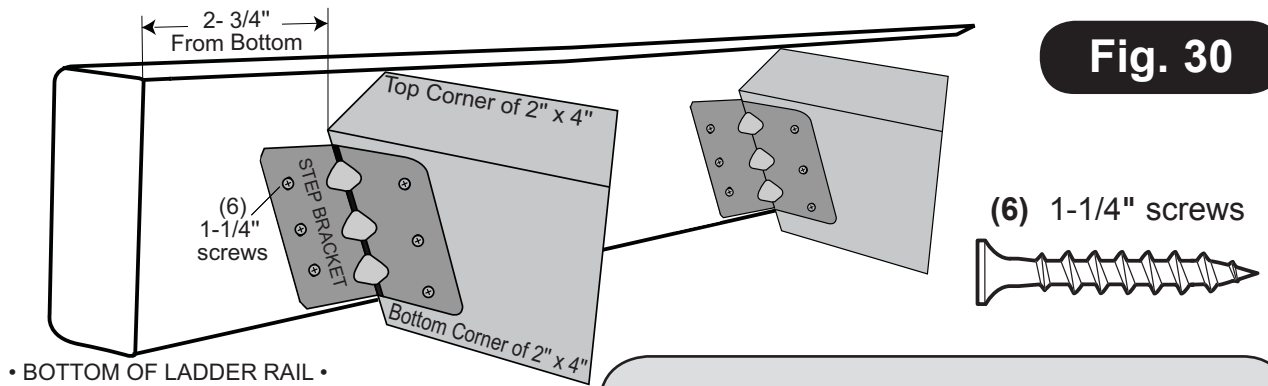
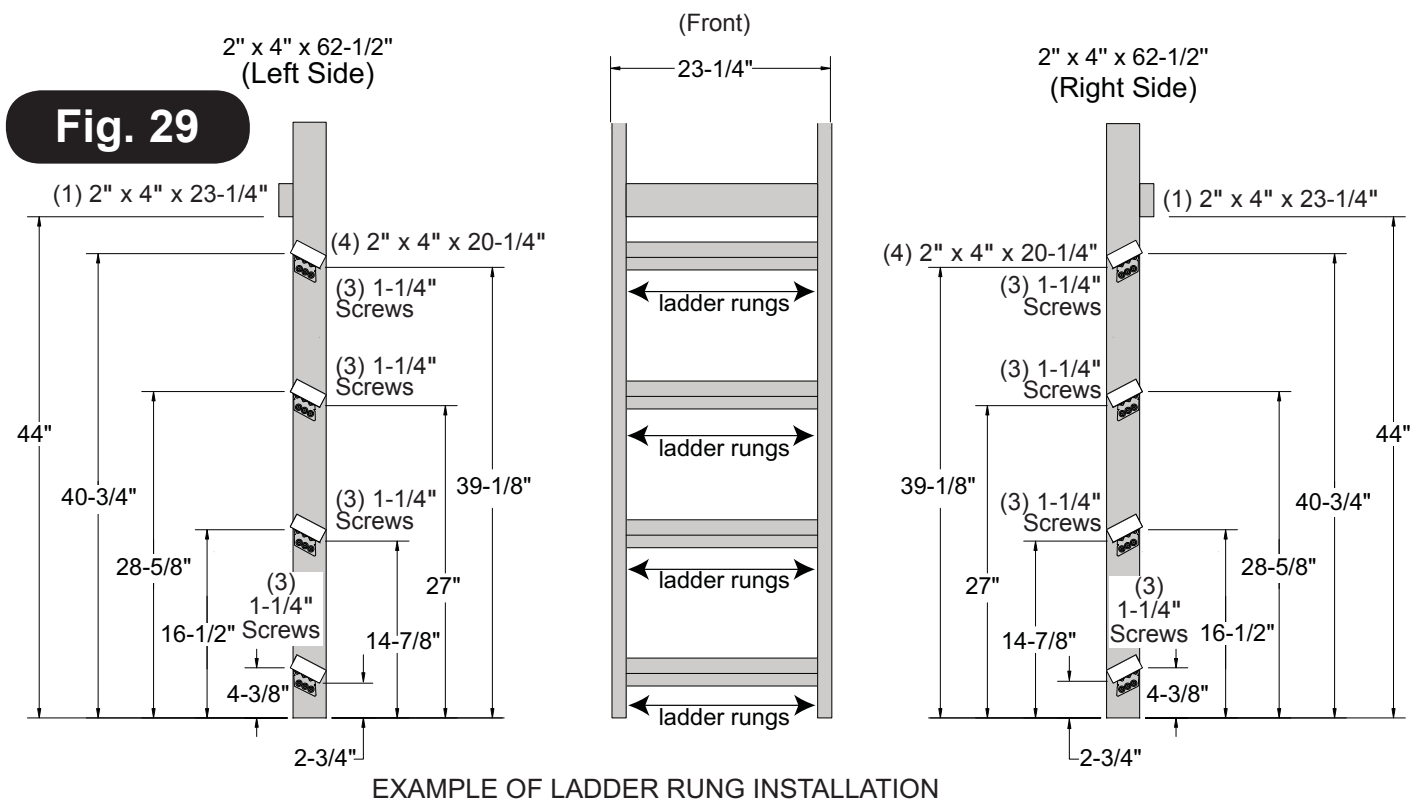


3/4" Pan head screw



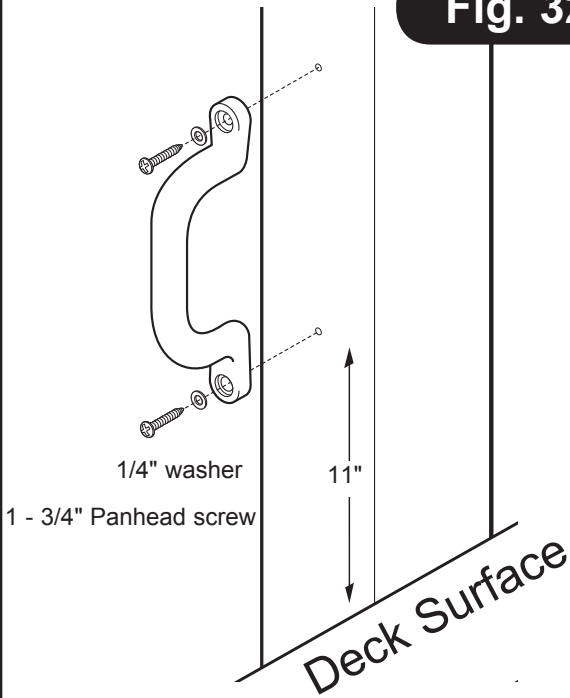
N. Install Tarp.

1. Install tarp as shown in (Fig. 28a)
2. Secure tarp in six locations.



- O. Ladder Assembly.**
1. On ladder rails, mark all measurements locations for each side with a pencil. Draw an angle line connecting measurements for each ladder rung alignment. **(Fig. 29)**
 2. Align top of step bracket with line and screw in place. Install a ladder rung at each of the five locations. **(Fig. 29, 30)** Repeat on other ladder rail.
 3. Attach 2" x 4" x 23-1/4" to siderails using (2) 2-1/2" screws per side.
 4. Secure ladder to unit. **(Fig. 31)** Note: The top step should be 11" below the deck and all steps should be level.
 5. Screw (2) 2-1/2" screws into the ends of each ladder rung through the left and right side rails. **(Fig. 31)**

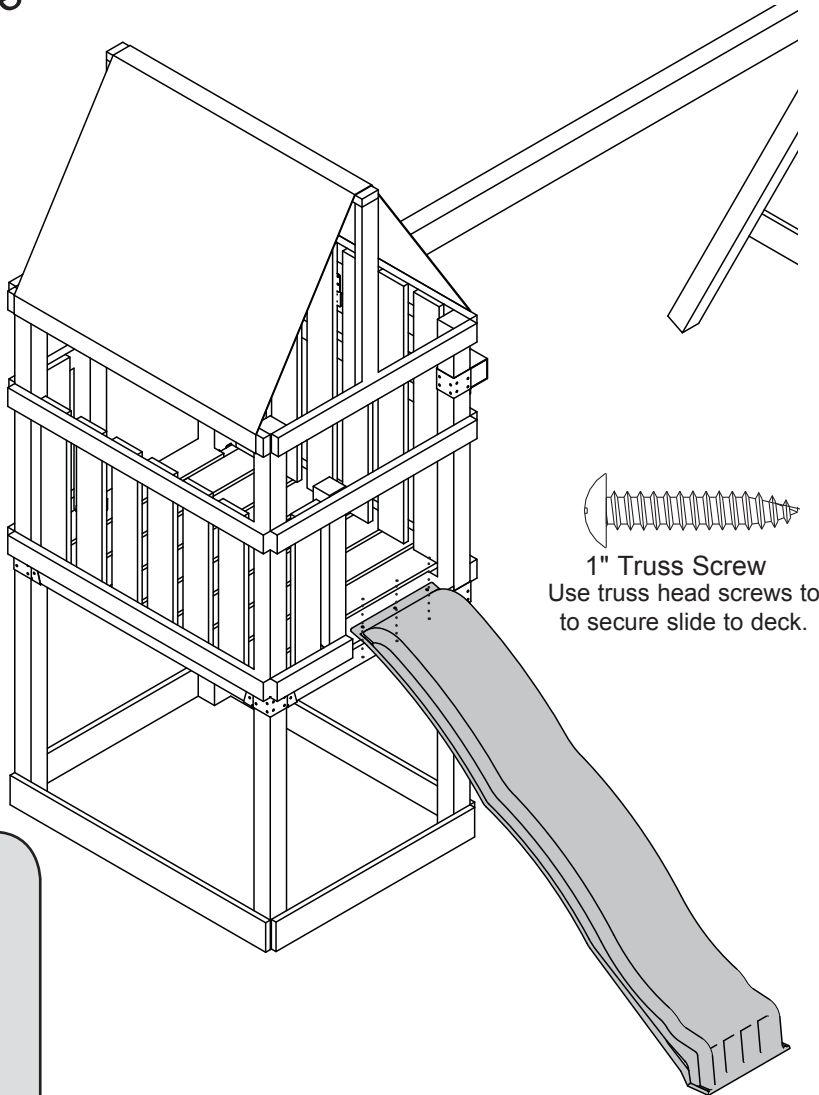
Fig. 32



P. Safety Handles.

1. Mount safety handles in the ladder opening approximately 11" above the deck surface (**Fig. 32**).

Fig. 33



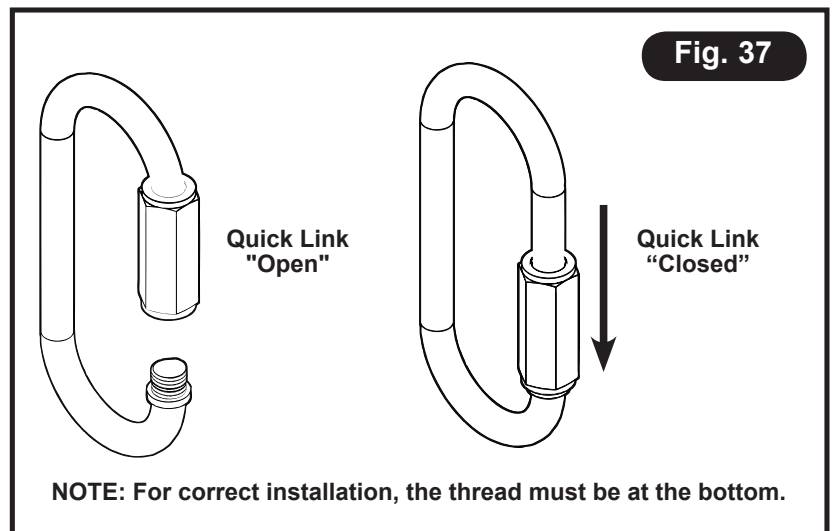
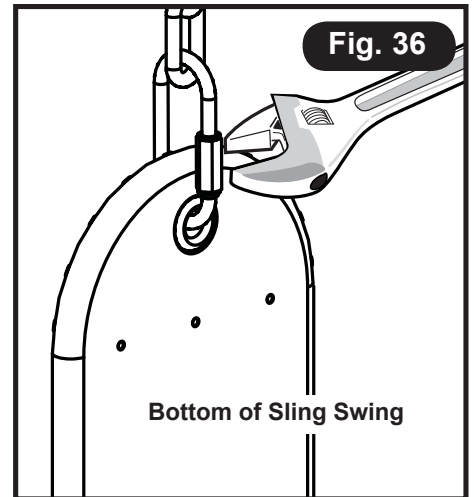
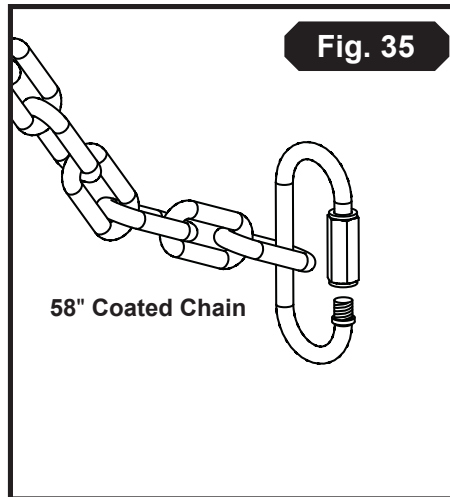
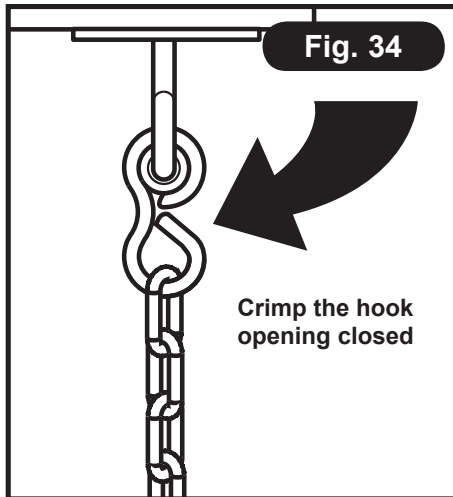
Q. Slide Installation.

1. Install as shown in (**Fig. 33**)

Important:

Do not use hardware provided with slide. Use Truss head screws included with Kit.

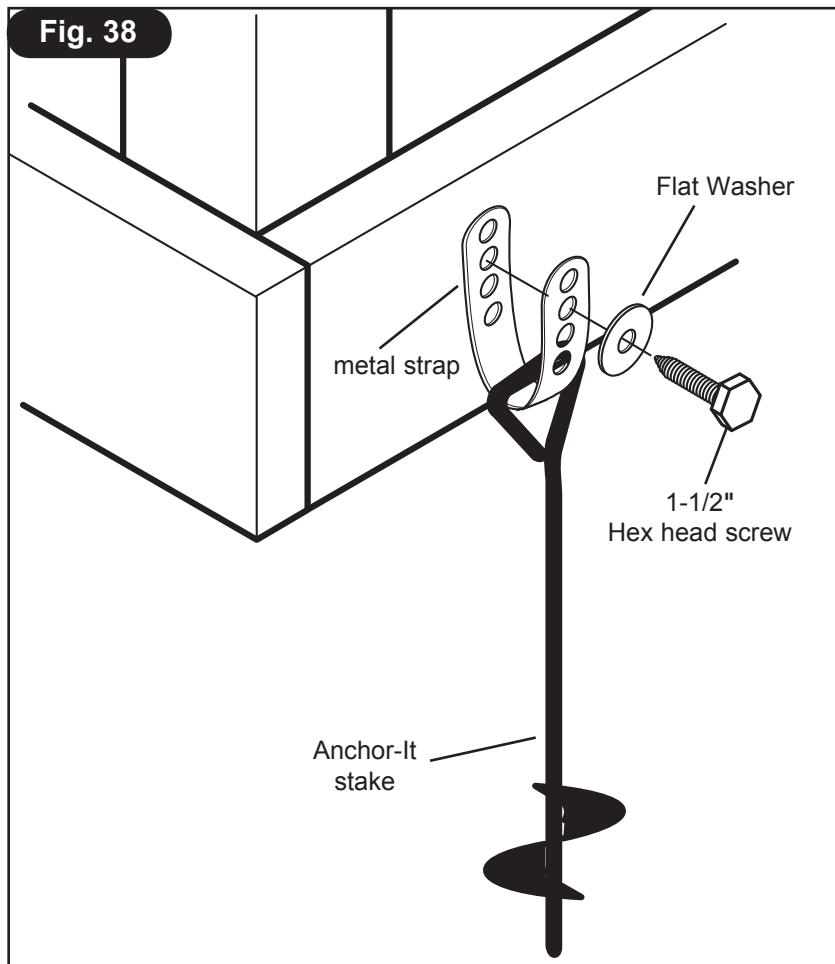
x2 Per Swing



J. Sling Swing Assembly

- 1 Hang the chains from the nylon bushing swing hangers. Crimp the hook opening closed with pliers to secure the chains to the swing hangers (Fig. 34). Make sure all connections are tightly crimped and secure before using Sling Swings.
2. Take one length of chain and place the last link of chain through the Quick Link as shown (Fig. 35).
3. Place the Quick Link through the Grommet of the Sling Swing as shown (Fig. 36).
4. Tighten the threaded sleeve of the Quick Link with a suitably sized wrench so that the seat is securely attached and the Quick Link cannot be easily loosened (Fig. 37). Repeat for second chain, Quick Link, and Sling Swing Grommet.

Anchor-It (Purchased Separately)



S. Anchor-It Installation (optional).

Instructions for Anchoring Swing•N•Slide Activity Centers

1. Determine the final location of your activity center
2. Place the Anchor-It stakes adjacent to the base and near the corners of your activity center (at the bottom of the legs on swing sets) and twist the auger-style stakes into the ground until only the loop is exposed.
3. Place the metal strap through the loop of the Anchor-It stake and secure it to the unit with a hex head screw and washer as illustrated to the right. **Note:** Attach the strap to the unit with as little play as possible using whatever holes in the strap that work best.

Cargo Net

LUMBER REQUIRED

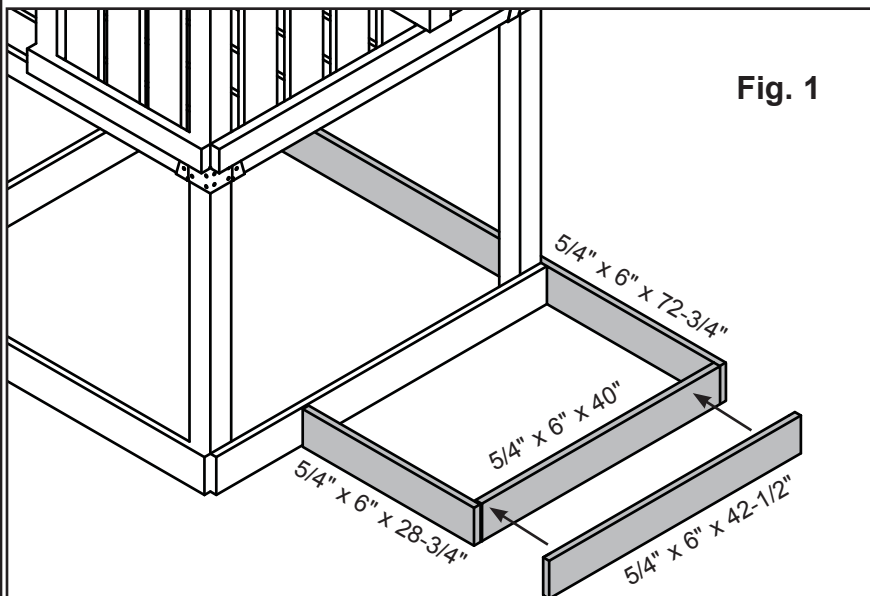
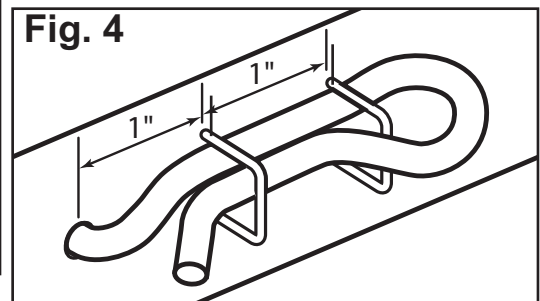
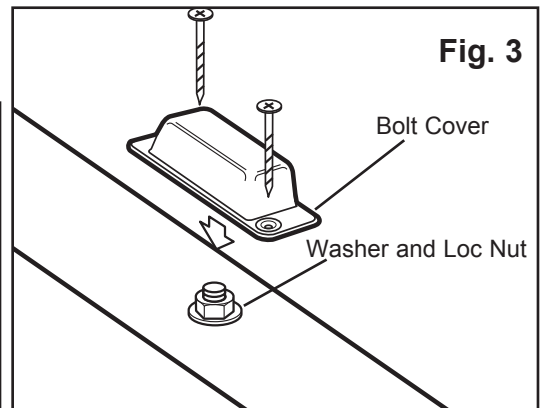
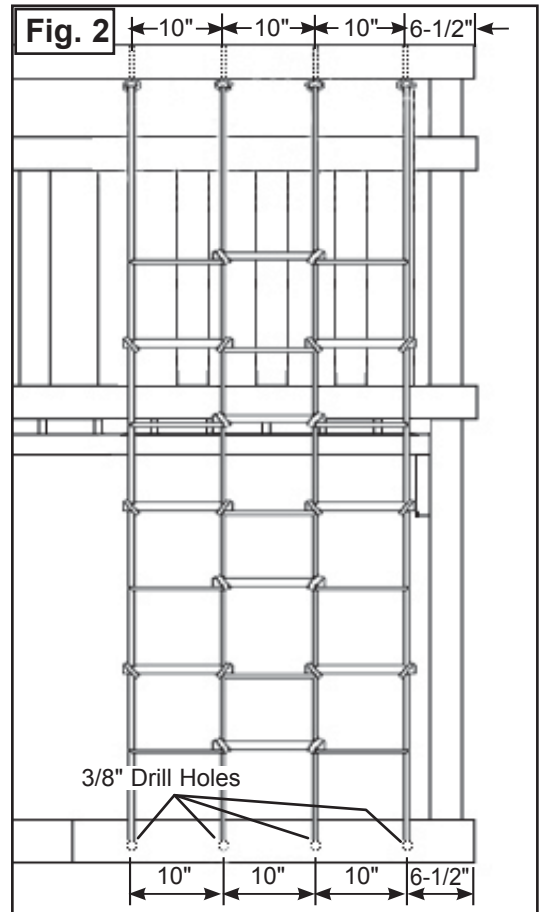
(sold separately)

QTY	DESCRIPTION
2	5/4" x 6" x 10'

INSTRUCTIONS

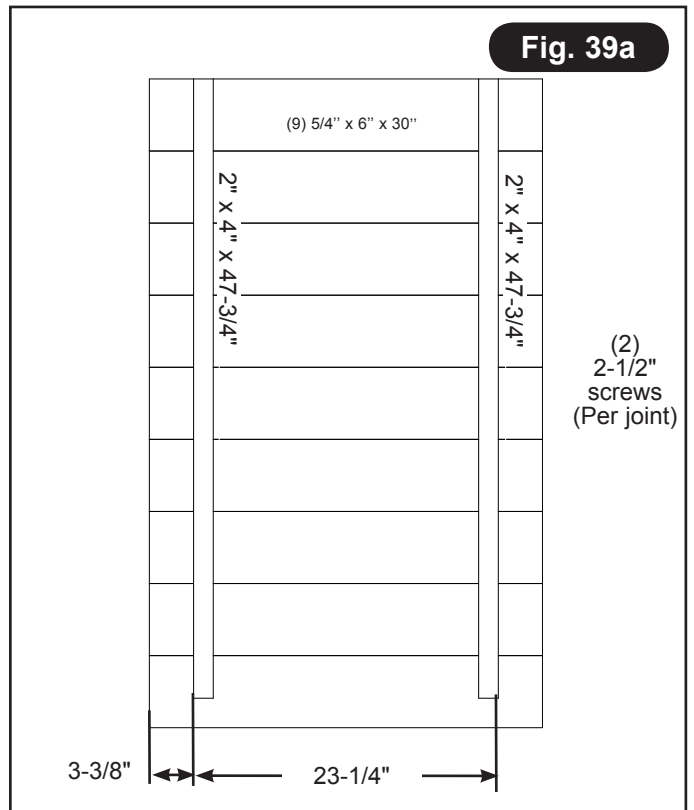
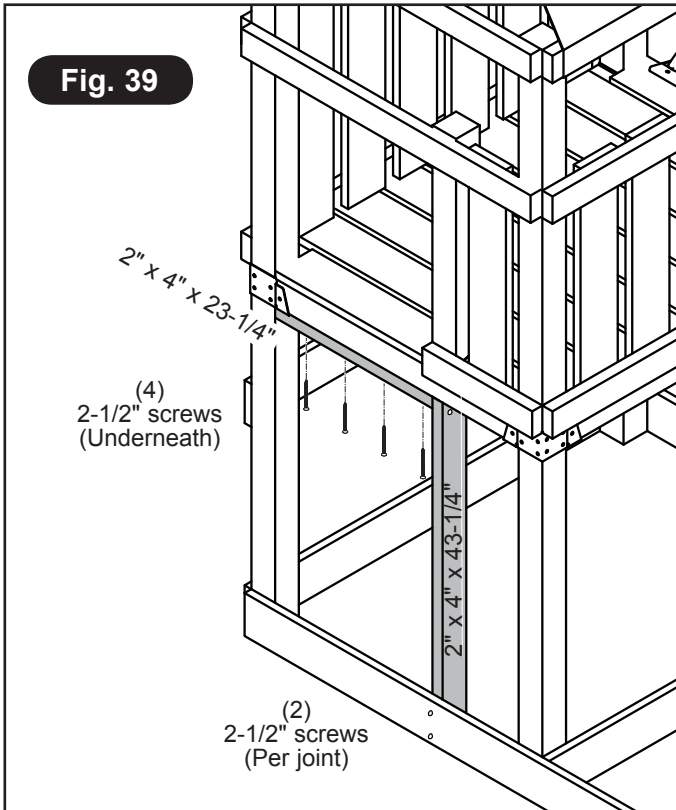
1. Cut one 5/4" x 6" x 72-3/4". Cut one 5/4" x 6" x 40" and 42-1/2". Cut remaining 5/4" x 6" x 28-3/4".
2. Remove the existing base board from the unit. **NOTE:** Save the hardware as they will be re-used.
3. Attach the 5/4" x 6" x 72-3/4" board to the base as indicated in Fig. 1 using four (4) 2-1/2" screws and one (1) 2" Lag Screw at each joint.
4. Attach remaining lumber to the unit as shown in Fig. 1 using three 2-1/2" screws per joint.
5. Drill four 3/8" holes in the top board and four 3/8" holes in the bottom board as indicated in Fig. 2. **NOTE:** Drill through the bottom of the 2" x 4" board to the top. Insert the eye bolts of the Cargo Net through the holes of the top board and secure all of them using a washer and loc nut (see Fig. 3). **NOTE:** Using a hacksaw, remove excess threads of the eyebolt as close to loc nut as possible.
6. Place bolt covers over the bolts as indicated in Fig. 3. Secure bolt covers using 2" screws.
7. Place two rope staples as indicated in Fig. 4. Thread the Cargo Net through the holes of the base and loop through the staples as shown (Fig. 4). Pull tight and secure by pounding staples tight against the base.

SIDE MOUNTING OPTION 1



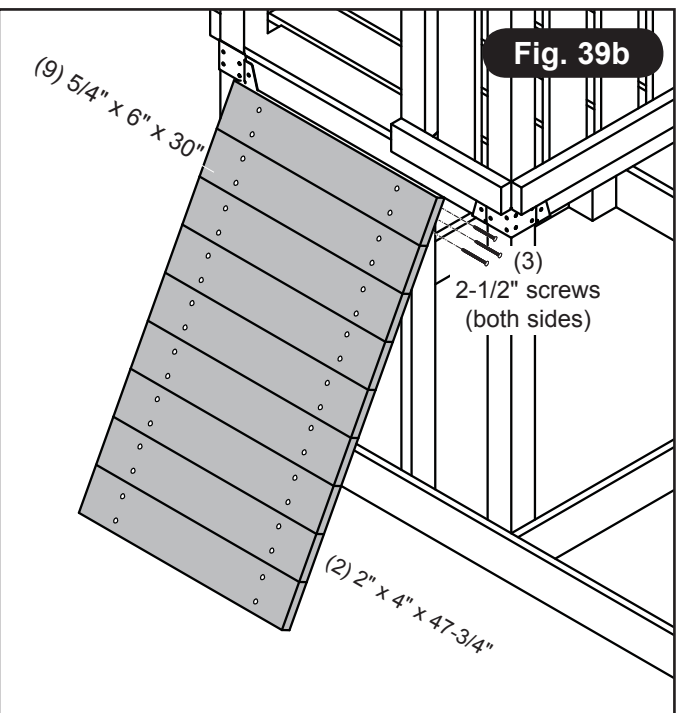
PROJECT 612 ONLY

Front Opening Option # 2 (see page 32 for Ladder Assembly Front Opening Option #1.)



2-1/2" screw

NOTE:
4' Climbing Rock Wall will require
min. 8 Climbing Rocks



- T. Climbing Wall.**
- (1) 2" x 4" x 8' ----- (2) 2" x 4" x 47-3/4"
 - (1) 2" x 4" x 8' ----- (1) 2" x 4" x 43-1/4"
 - (1) 2" x 4" x 23-1/4"
 - (3) 5/4" x 6" x 10" --- (3) 5/4" x 6" x 30"
1. Assemble and install Climbing Wall Frame and body as shown in (Fig. 39), (Fig. 39a).
 2. Attach (9) 5/4" x 6" boards to (2) 2" x 4" boards and install on unit as shown in (Fig. 39b).
 3. Use a pencil to mark where you would like the Climbing Rocks to be installed. Double check your spacing and secure Rock at each location.
- Note:** Make sure the 2" x 4" supports do not interfere with the mounting of the climbing rocks.

Questions???
Call our Customer Service Department
at 1-800-888-1232



Swing-N-Slide®

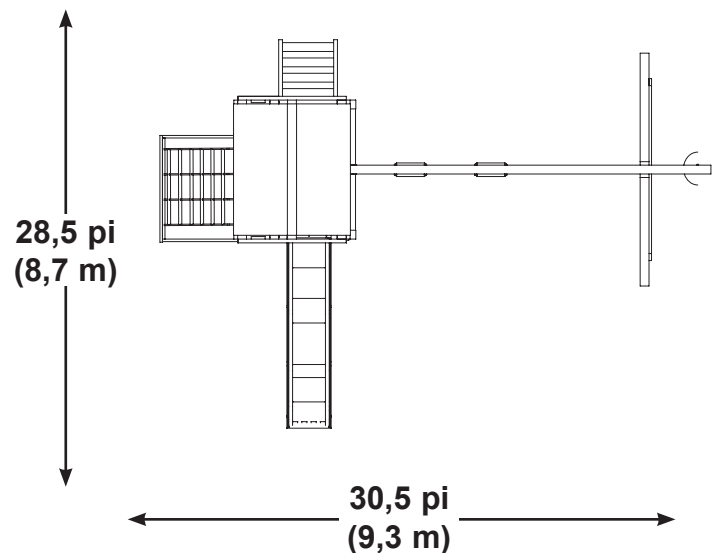
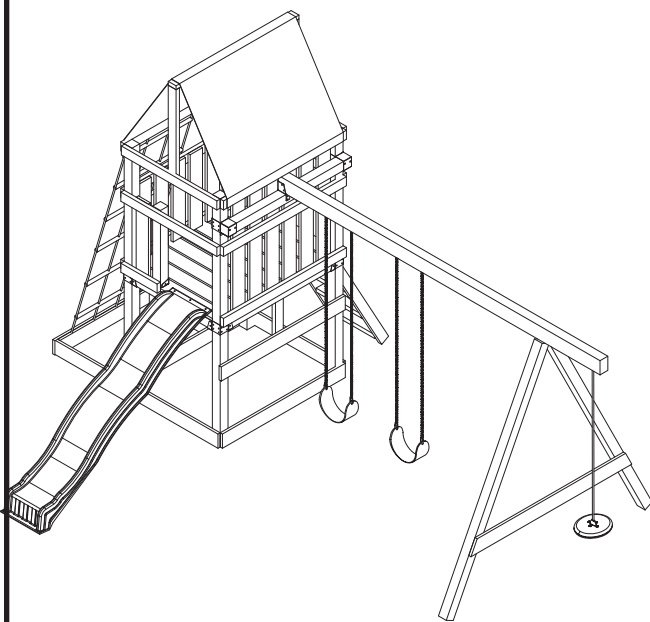
NE 5007

Alpine™

PROYECTO 611-612/PROJET 611-612

Vérifiez <http://www.swing-n-slide.com> des mises à jour à ces instructions.

Controle hacia fuera <http://www.swing-n-slide.com> para saber si hay actualizaciones a estas instrucciones.



Cant. de niños: hasta 11
Zona mín. de uso: 28-1/2 x 30-1/2 pi (8,7 x 9,3 m)
Dimensiones del juego: 13 pi W x 18-1/2 po L x 11 pi H
Tiempo estimado de construcción: 4-8 h
Nombre d'enfants : Jusqu'à 11
Zone d'utilisation min. : 28-1/2 x 30-1/2 pi
Dim. de l'ensemble : 13 pi W x 18-1/2 pi L x 11 pi H
Temps de construction estimé : 4 à 8 heures

**Rapid
Loc™**
System

INSTRUCCIONES DE MONTAJE INSTRUCTIONS D'ASSEMBLAGE

Swing•N•Slide • 1212 Barberry Drive • Janesville, Wisconsin 53545
Visite nuestro Web site en: www.swing-n-slide.com o nos llama en 1-800-888-1232
Visitez notre site Web à : www.swing-n-slide.com ou nous appellent à 1-800-888-1232

L'observation des déclarations et des avertissements suivants réduit les risques de blessures graves ou mortelles**Installation sécuritaire - Avez-vous :**

- Noté que cet accessoire convient uniquement aux unités de jeu Swing-N-Slide approuvées? (ne modifiez pas sa composition et n'ajoutez ni ne retirez de composantes);
- Vérifié que toute la quincaillerie est solidement fixée en place? (les capuchons protecteurs de boulons fournis doivent également être solidement fixés);
- Utilisé une scie à métaux pour couper les extrémités des boulons ou autres fixations qui dépassent, limé tous les bords tranchants avec une lime métallique et recouvert l'extrémité des attaches avec de la peinture sans plomb?
- Placé l'équipement sur une surface plane et de niveau à une distance d'au moins 6 pieds (1,8 m) de toute structure ou de tout objet, comme une clôture, un garage, une maison, des branches d'arbre surplombantes, une corde à linge ou des fils électriques?
- Vérifié que l'équipement de jeu n'est pas installé sur un sol en béton, en asphalte, en terre compactée ni sur toute autre surface dure? (une chute sur une surface dure peut entraîner de sérieuses blessures à l'utilisateur de cet équipement);
- Vérifié que les cordes d'escalade suspendues, les chaînes ou câbles sont solidement ancrés aux deux bouts et ne peuvent pas s'enrouler sur eux-mêmes?
- Consulté les directives d'assemblage du modèle afin de connaître les zones d'utilisation minimales?
- Utilisé un scellant hydrofuge pour protéger le bois et prévenir l'apparition de fissures et de déformation sur votre ensemble de jeu?
- Respecté toutes les exigences d'ancrage et de recouvrement amortissant pertinentes qui figurent au verso de cette feuille?
- Interdit aux enfants d'utiliser l'équipement tant que l'assemblage n'est pas complètement terminé?
- Veillé à ajuster toutes les balançoires, afin qu'il y ait une distance minimum de 8 po (200 mm) entre la balançoire et la surface du sol?

Précautions d'utilisation – Vous devez :

- Assurer qu'un adulte est présent pour surveiller les enfants de tous âges.
- Aviser les enfants de respecter les consignes qui suivent avant de leur permettre d'utiliser l'équipement.
 - Ne pas marcher près ni en face des éléments mobiles, ni derrière ceux-ci.
 - Ne pas tordre la balançoire ou toute autre chaîne et corde accessoires et ne pas les entortiller sur la barre de soutien supérieure, car cela réduirait la résistance de la chaîne ou de la corde.
 - Ne pas balancer les sièges de balançoire ou d'autres accessoires lorsqu'ils sont vides.
 - Ne pas glisser le long des chaînes de la balançoire.
 - Vous assurer d'être assis bien au centre du siège de la balançoire et des autres accessoires avec votre poids entier sur le siège.
 - Ne pas attacher d'objets sur l'équipement de jeu qui ne sont pas spécifiquement conçus pour cet équipement tels que, mais sans s'y limiter, cordes à sauter, cordes à linge, laisses d'animaux, câbles et chaînes. Ils pourraient présenter des risques de strangulation.
 - Ne pas grimper ou marcher sur le dessus des poutres, des rampes ou du toit de la balançoire.
 - Veiller à ne pas utiliser l'équipement à des fins autres que celles prévues.
 - Ne pas descendre de l'équipement lorsqu'il est en mouvement.
 - Ne pas grimper sur l'équipement lorsqu'il est mouillé.
 - Veiller à descendre les pieds devant.
- Vous assurer qu'un seul enfant à la fois, par siège, doit être permis sur cet équipement.
- Déterminé que les enfants doivent être habillés convenablement pour jouer. Évitez les vestes à capuchon, casques de bicyclette ou d'autres sports, les vêtements avec des cordons et les vêtements amples qui pourraient s'emmêler ou s'accrocher sur l'équipement.
- Déterminé que les cordes d'escalade suspendues, les chaînes ou câbles sont solidement ancrés aux deux bouts et ne peuvent pas s'enrouler sur eux-mêmes.
- Vous assurer que la glissoire est installée de façon à ne pas être exposée à un ensoleillement direct.

Entretien de sécurité – Suivez ces consignes d'entretien préventif aux intervalles de temps requis :

- Pour empêcher la détérioration des matériaux, retirez les sièges de balançoire en plastique et les autres accessoires en plastique lorsque les températures extérieures descendent jusqu'à ou en dessous de 0 °C (32 °F) et rentrez-les à l'intérieur. Réinstallez ces éléments en plastique au début de chaque saison de jeux à l'extérieur.
- Au début de chaque saison de jeux à l'extérieur, inspectez les pièces métalliques à la recherche de rouille. Si vous trouvez des parties rouillées, poncez-les et repeignez-les avec une peinture sans plomb conforme aux exigences de la norme 16 CFR 1303 ou SOR/2005-109.
- Au début de chaque saison de jeux à l'extérieur et une fois par mois pendant chaque saison, inspectez les pièces mobiles à la recherche d'usure, de rouille ou toute autre détérioration. Remplacez-les selon les besoins. Si une de ces conditions existe, appelez le 1 800 888-1232 pour commander les accessoires de rechange.
- Au début de chaque saison de jeux à l'extérieur et une fois par mois pendant chaque saison, lubrifiez les pièces métalliques mobiles.
- Au début de chaque saison de jeux à l'extérieur et deux fois par mois pendant chaque saison, inspectez toutes les protections couvrant les boulons, tuyaux, rebords et coins. Remplacez-les si elles sont desserrées, fissurées ou manquantes.
- Au début de chaque saison de jeux à l'extérieur et deux fois par mois pendant chaque saison, ratissez et vérifiez la profondeur du matériau particulaire de revêtement de protection pour en prévenir le compactage et maintenir une profondeur appropriée. Remplacez si nécessaire.
- Au début de chaque saison de jeux à l'extérieur et deux fois par mois pendant chaque saison, resserrez toutes les pièces de quincaillerie.
- Au début de chaque saison de jeux à l'extérieur et deux fois par mois pendant chaque saison, inspectez tous les éléments en bois à la recherche de détérioration et d'échardes. Poncez les échardes pour les éliminer et remplacez les éléments en bois détériorés.

Instructions pour la mise au rebut

Lorsque l'équipement est mis hors service, il doit être démonté et conditionné de sorte qu'aucun danger justifié ne sera présent lors de la mise au rebut de l'ensemble.

Important! Instructions supplémentaires de sécurité pour tous les centres de jeu Swing-N-Slide. Conserver ce feuillet d'instruction au cas où vous devriez prendre contact avec le fabricant.

Ce produit est destiné à un usage résidentiel et familial seulement et n'est pas conçu pour une utilisation dans un endroit public. L'installation de ce centre de jeu dans un endroit public constitue une mauvaise utilisation de ce produit.

IMPORTANT!

INSTRUCTIONS SUPPLÉMENTAIRES POUR UNE INSTALLATION SÉCURITAIRE

Les normes établies par l'organisme américain ASTM spécifient que toutes les unités de jeu doivent être ancrées solidement au sol et que si l'unité comprend une corde d'escalade, l'extrémité de celle-ci doit également être ancrée au sol. Si les conditions de sol permettent aux piquets d'ancrage d'être arrachés facilement, ceux-ci devront être encastrés dans du béton.

- **Pour ancrer l'unité au sol**, respecter les instructions incluses dans le présent plan concernant l'utilisation des ancrages « Anchor-It » à votre unité, ou utiliser des piquets en bois traité sous pression de 2 x 4 x 18 po (45 x 95 x 457 mm). Enfoncer les piquets dans le sol à au moins 12 po (305 mm) à chacun des coins intérieurs des poteaux (incluant les pattes des cadres en « A » et les poteaux des ensembles d'escalade). Fixer au moyen de quatre (4) clous galvanisés 16D de 3,5 po (89 mm) par piquet dans chaque montant de tour et(ou) cadre en A.
- **Si l'unité comporte une corde d'escalade**, ancrez solidement cette corde aux deux bouts.
- **Une fois le centre de jeu complètement assemblé et avant de permettre aux enfants d'y jouer, un matériau de surfacage pouvant absorber les chocs doit être installé. Cela peut être réalisé par l'utilisation d'un matériau de remplissage en vrac d'une épaisseur suffisante.** Le manuel « Handbook for Public Playground Safety » de la commission de la sécurité des produits de consommation (Consumer Product Safety Commission, CPSC) fait l'énumération des matériaux suivants et définit les épaisseurs minimales pour des applications résidentielles. On peut trouver des informations complémentaires dans le document ASTM F1292. Pour une protection antichute allant jusqu'à 9 pi (2,74 m) [recommandée pour les ensembles Swing-N-Slide] :

<u>MATÉRIAUX DE REMPLISSAGE EN VRAC</u>	<u>PROFONDEUR REQUISE (NON COMPACTÉE) 1 PO (25 MM)</u>
Paillis de bois	9" (229mm)
Paillis d'écorce à déchiquetage double	9" (229mm)
Copeaux de bois uniformes	12" (305mm)

Ces épaisseurs proviennent du manuel de la CPSC. Pour déterminer ces profondeurs, Swing-N-Slide n'a réalisé aucun test indépendant.

Lorsqu'il est adéquatement installé, le matériau de surfacage pour absorption de choc devrait recouvrir complètement les bases de bois horizontales des ensembles d'escalade. Ces surfaces protectrices doivent s'étendre jusqu'à un minimum de 6 pi (1,828 m) dans toutes les directions à partir du périmètre de l'équipement ou de la limite extérieure de tout composant. Par exemple, une glissoire s'étendant au-delà de la plate-forme doit comporter une surface protectrice sur au moins 6 pi (1,828 m) sur les deux côtés, de même qu'à son extrémité. Pour les balançoires, la surface de protection doit s'étendre d'au moins 14 pi (6 m) à partir de l'avant et de l'arrière de la balançoire lorsqu'elle est en position de repos.

Pour de plus amples renseignements sur la sécurité des terrains de jeu, télécharger gratuitement le manuel « Handbook for Public Playground Safety » de la commission de la sécurité des produits de consommation (CPSC) qui se trouve à l'adresse www.cpsc.gov. Une ressource supplémentaire est offerte par la spécification sur le rendement en matière de la sécurité des consommateurs des terrains de jeux résidentiels (ASTM F1148) de l'American Society of Testing and Materials (ASTM - société américaine pour les essais et les matériaux), que l'on peut acheter ou télécharger de www.astm.org.

GARANTIE LIMITÉE DU FABRICANT Swing-N-Slide®

Swing-N-Slide® est fière de la qualité et de la durabilité de ses produits. Notre garantie limitée du fabricant donne l'assurance et démontre notre engagement envers la fabrication d'articles pour terrain de jeu résidentiel de qualité.

GARANTIE LIMITÉE À VIE DU FABRICANT

Swing-N-Slide® garantit ses glissoires thermoformées et murs d'escalade contre toute défectuosité de matériaux et de fabrication, lorsqu'utilisés dans des conditions et pour un usage normaux, pour la durée de vie du produit.

GARANTIE LIMITÉE DE CINQ (5) ANS DU FABRICANT

Swing-N-Slide® garantit ses ensembles et accessoires de jeu personnalisés prêt-à-monter contre toute défectuosité de matériaux et de fabrication, lorsqu'utilisés dans des conditions et pour un usage normaux, pour une période de cinq (5) ans.

GARANTIE LIMITÉE DE CINQ (5) ANS DU FABRICANT

Swing-N-Slide® garantit les composants structurels en bois de ses ensembles et accessoires de jeu sans coupe et tout bois contre les dommages causés par la pourriture et les termites, et contre toute défectuosité de matériaux et de fabrication, lorsqu'utilisés dans des conditions et pour un usage normaux, pour une période de cinq (5) ans.

Les défauts de fabrication apparents qui n'influencent pas l'intégrité structurelle du produit, ou les défauts naturels du bois tels que la déformation, les fissures, les gerçures, la torsion, le retrait, l'enflure ou d'autres propriétés physiques du bois qui ne constituent pas un danger pour la sécurité, ne sont pas couverts par cette garantie.

GARANTIE D'UN (1) AN DU FABRICANT

Swing-N-Slide® garantit ses bâches de toit et/ou ses bâches, et la toile protectrice pour bois Timber GLOVE contre toute défectuosité de matériaux et de fabrication, lorsqu'utilisés dans des conditions et pour un usage normaux, pour une période d'un (1) an.

Swing-N-Slide® réparera, ou à sa discrétion, remplacera toute pièce présentant un défaut de matériaux et de fabrication au cours de la période de garantie mentionnée. Cette décision est sous réserve d'une vérification de la défectuosité à la livraison de la pièce défectueuse à Swing-N-Slide® à 1212 Barberry Drive, Janesville, Wisconsin, 53545 É.-U. Toute pièce retournée à Swing-N-Slide® doit être accompagnée d'un numéro d'autorisation de retour approuvé au préalable et d'une preuve d'achat datée. Cette garantie est valide uniquement si le produit est utilisé aux fins pour lesquelles il est conçu et s'il est installé sur un terrain unifamilial et résidentiel. Elle est nulle si le produit est à usage commercial ou collectif. Cette garantie ne couvre pas (a) les produits qui ont été endommagés par des calamités naturelles, de la négligence, une mauvaise utilisation ou par accident, ou qui ont été modifiés ou réparés par des personnes non autorisées; (b) le coût de la main-d'oeuvre; ou le coût de l'envoi du produit, de toute pièce ou de tout produit ou pièce de rechange.

Swing-N-Slide® RENONCE À TOUTES AUTRES REPRÉSENTATIONS ET GARANTIES DE TOUTES SORTES, EXPLICITES, IMPLICITES, RÉGLEMENTAIRES OU AUTRES, Y COMPRIS LES GARANTIES IMPLICITES DE QUALITÉ MARCHANDE ET D'ADÉQUATION À UN USAGE PARTICULIER. Swing-N-Slide® N'EST PAS RESPONSABLE DES DOMMAGES ACCESSOIRES OU INDIRECTS. Cette garantie n'est pas cessible, ni transférable à un propriétaire subséquent. Certains États interdisent les limitations sur les garanties implicites ou l'exclusion de dommages accessoires ou indirects, il est donc possible que ces restrictions ne s'appliquent pas dans le cas présent. Cette garantie vous donne des droits juridiques spécifiques. Vous pouvez également disposer d'autres droits, qui peuvent varier d'un État à l'autre.

De plus, cette garantie ne s'applique pas à :

- Des structures qui ne sont pas érigées, entretenues ou inspectées conformément aux plans d'installation de Swing-N-Slide®;
- Des structures auxquelles des pièces, ne respectant pas les plans d'installation de Swing-N-Slide®, ont été ajoutées ou substituées;
- Des pièces qui ont été modifiées ou mal utilisées;
- Des pièces qui n'ont pas été utilisées à des fins pour lesquelles elles ont été conçues;
- Des dommages dus à des calamités naturelles, au vandalisme, à un usage anormal ou abusif tel qu'établi par Swing-N-Slide®.

Atender los siguientes enunciados y advertencias reduce la posibilidad de lesiones graves o fatales.

Seguridad durante la instalación – Usted:

- ¿Ha consultado las instrucciones de ensamblaje suministradas con su modelo en particular?
- ¿Ha notado que este accesorio se debe usar solamente con diseños aprobados por Swing-N-Slide? (No altere su diseño ni añada/retire componentes).
- ¿Se ha asegurado de que todos los accesorios hayan sido ajustados firmemente? (Las cubiertas de los pernos suministradas también se deben asegurar firmemente).
- ¿Se ha asegurado de cortar con una sierra de mano todos los extremos roscados sobresalientes de los pernos y demás sujetadores, así como de haber eliminado cualquier borde filoso usando una lima para metales, según haya sido necesario, y recubierto los extremos de los sujetadores con pintura sin plomo?
- ¿Ha colocado el equipo a nivel del piso, a no menos de seis pies (1.8 metros) de cualquier estructura u obstrucción tal como una cerca, garaje, casa, ramas colgantes, sogas para tender la ropa o cables eléctricos?
- ¿Se ha asegurado de que el equipo de juego no haya sido instalado sobre concreto, asfalto, tierra prensada o cualquier otra superficie dura? (Una caída sobre una superficie dura puede provocar una lesión grave al usuario del equipo).
- ¿Ha verificado que las cuerdas para escalar, la cadena o el cable suspendidos estén sujetos en ambos extremos?
- ¿Ha consultado las zonas mínimas de uso en las instrucciones de ensamblaje de su modelo en particular?
- ¿Ha usado un sellador de agua en su conjunto de juego para proteger la madera y prevenir que se agriete y se tuerza?
- ¿Ha seguido todos los requisitos que se encuentran en el reverso de esta página relacionados con el anclaje y el recubrimiento amortiguador de golpes, según corresponda?
- ¿Se ha asegurado de no permitir que los niños usen los equipos hasta que éstos queden correctamente instalados?
- ¿Se ha asegurado de ajustar todos los columpios de manera que haya un espacio mínimo de 8" entre el columpio y la superficie del suelo?

Seguridad durante la operación – Usted:

- ¿Se ha asegurado de que en el sitio de juegos haya supervisión por parte de un adulto para los niños de todas las edades?
- Antes de permitirles usar los equipos, ¿les ha enseñado a los niños lo siguiente? No caminar cerca, enfrente, por detrás o entre objetos móviles.
 - No retorcer el columpio ni cualquiera de las cadenas o cuerdas accesorias ni enrollarlas sobre la barra de soporte superior, ya que esto reduciría la fuerza de la cadena o la cuerda.
 - No columpiar los asientos vacíos u otros accesorios.
 - No deslizarse hacia abajo por las cadenas de los columpios.
 - Asegurarse de sentarse en el centro del columpio y en los otros accesorios, con todo el peso sobre el asiento.
 - No unir accesorios al equipo de juego que no estén diseñados específicamente para el mismo, como los siguientes, entre otros: cuerdas para saltar, sogas para tender la ropa, correas para mascotas, cables y cadenas. Éstos pueden provocar peligro de estrangulamiento.
 - No trepar ni caminar sobre la parte superior de las vigas de los columpios, los pasamanos o el techo.
 - No usar los equipos de manera diferente a aquella para la cual fueron diseñados.
 - No saltar de los equipos cuando están en movimiento.
 - No subirse a los equipos cuando estén mojados.
 - Asegurarse de bajar por los toboganes con los pies por delante.
- ¿Ha determinado que sólo se puede permitir un niño por asiento en un mismo momento?
- ¿Has determinado que los niños deben estar vestidos en forma adecuada para el juego? Evita chaquetas con capucha, cascos para bicicletas u otros deportes, ropa con cordones y suelta que podría hacer que se enreden o se enganchen en el equipo.
- ¿Has determinado que las sogas, cadenas o cables para escalar están anclados firmemente en ambos extremos y no pueden entrelazarse?
- ¿Se ha asegurado de que el tobogán se ubique de manera que no esté bajo la luz directa del sol?

Mantenimiento de Seguridad–Sigue estas instrucciones preventivas de mantenimiento en los intervalos requeridos:

- Para evitar el deterioro de los materiales, retira los asientos de plástico de los columpios y otros accesorios de plástico cuando la temperatura exterior baje a 32° F o menos y llévalos a un lugar bajo techado. Reinstala estos elementos plásticos al inicio de cada temporada de juego.
- Al inicio de cada temporada de juego verifica que las piezas de metal no se hayan oxidado. Si se encuentran indicios de corrosión, lija y vuelve a pintar usando una pintura que no sea a base de plomo y que cumpla con los requisitos 16 CFR 1303 o SOR/2005-109.
- Al inicio de cada temporada de juego y una vez al mes durante la misma, verifica que las piezas móviles no se hayan desgastado, oxidado o deteriorado de otra manera. Reemplázala si es necesario. Si existe alguna de estas condiciones, llama al 1-800-888-1232 para ordenar los accesorios de repuesto.
- Al inicio de cada temporada de juego y una vez al mes durante la misma, lubrica las piezas de metal en movimiento.
- Al inicio de cada temporada de juego y dos veces al mes durante la misma, revisa todas las cubiertas protectores de pernos, tubos, bordes y esquinas.
- Reemplázalas si están sueltas, rotas o si faltan.
- Al inicio de cada temporada de juego y dos veces al mes durante la misma, rastrilla y verifica la profundidad del material protector de relleno de superficies para que no esté flojo, evitar la compactación y mantener la profundidad adecuada. Reemplaza según sea necesario.
- Al inicio de cada temporada de juego y dos veces al mes durante la misma, ajusta todos los herrajes.
- Al inicio de cada temporada de juego y una vez al mes durante misma, verifica que las piezas de madera no estén deterioradas y astilladas. Lija las astilladuras y reemplaza las partes de madera deterioradas.

Instrucciones de desecho

Cuando el equipo sea retirado de servicio, se debe desarmar y desechar de tal manera que no presente peligros no razonables al momento de desecharlo.

**¡Importante! Instrucciones de seguridad adicionales para todos los equipos de juego Swing-N-Slide.
Guardar esta hoja de instrucciones en caso de que se requiera contactar al fabricante.**

Este producto ha sido ideado para su uso en una residencia u hogar de una sola familia y no para usarse en lugares públicos. Su uso en lugares públicos constituye una mala utilización de este producto.

¡IMPORTANTE!

INSTRUCCIONES ADICIONALES DE SEGURIDAD PARA LA INSTALACIÓN

Según establece la Sociedad Americana de Pruebas y Materiales (American Society for Testing and Materials, ASTM), todos los equipos deben anclarse al suelo y, si la unidad tiene además una cuerda para escalar, el extremo de la cuerda deberá anclarse al suelo. Si las condiciones del terreno permiten que las estacas se salgan con facilidad, será entonces necesario cementarlas al suelo.

- **Para anclar la unidad al suelo**, siga las instrucciones contenidas en el presente plan para aplicar los dispositivos de anclaje a su unidad, o utilice estacas tratadas a presión de 2" x 4" x 18" (45mm x 95mm x 457mm). Martille las estacas en el suelo a una profundidad de al menos 12" (305 mm) en todas las esquinas internas de los postes (incluidas las patas del marco en A y los postes de la unidad para escalar). Fije con cuatro (4) clavos galvanizados de 16D (3-1/2") por estaca en cada poste de la torre y/o del marco en "A".
- **Si la unidad incluye una sogá para escalar**, ancla la sogá en ambos extremos.
- **Una vez que la unidad esté completamente armada y antes de que se le permita a los niños jugar en ella, se debe instalar una superficie de material adecuado para amortiguar golpes.** Esto se consigue usando materiales de relleno suelto a una profundidad adecuada. La "Guía para la seguridad en las zonas de recreo públicas" (Handbook for Public Playground Safety) publicada por la Comisión de Seguridad para los Productos de Consumo (Consumer Product Safety Commission, CPSC) cita los siguientes materiales y las profundidades requeridas que se consideran suficientes para uso en residencias y hogares. Información adicional puede encontrarse en ASTM F1292. Para protegerse de caídas de hasta 9 pies (2.742m) de altura [recomendado para los equipos Swing-N-Slide]:

MATERIALES DE RELLENO SUELTO

Mantillo de madera
Mantillo de corteza de doble trituración
Viruta de madera uniforme

PROFUNDIDAD (SIN COMPRIMIR) REQUERIDA¹ pulgada (mm)

9" (229 mm)
9" (229 mm)
12" (305 mm)

Estas profundidades se han extraído de la Guía de la CPSC. Swing-N-Slide no ha realizado estudios independientes para determinar estas profundidades recomendadas.

Cuando el material para amortiguar golpes se instala adecuadamente, éste cubre completamente todas las superficies horizontales de las unidades para escalar. Esta superficie protectora deberá extenderse al menos 6 pies (1.828mm) en todas las direcciones, desde el perímetro del equipo o desde los bordes externos de cualquiera de los componentes. Por ejemplo, un tobogán que se extiende por fuera de la plataforma deberá tener una superficie protectora de al menos 6 pies (1.828mm) a ambos lados y en el extremo. Para columpios, la superficie protectora se debe extender **por lo menos 14 pies (6 m)** a partir de **tanto** la parte trasera **como** delantera del columpio cuando éste se encuentre en posición de reposo.

Para obtener información adicional sobre seguridad en las zonas de recreo, la Comisión de Seguridad para los Productos de Consumo (Consumer Product Safety Commission, CPSC) publica el Manual para la seguridad en las zonas de recreo domésticas al aire libre (Outdoor Home Playground Safety Handbook) que se puede descargar en forma gratuita de www.cpsc.gov. Un recurso adicional es la Especificación Estándar de Rendimiento de la Seguridad del Consumidor de la Sociedad de EE. UU. de Pruebas y Materiales (ASTM) Para Equipos de Patios de Recreo en el Hogar (ASTM F1148) que se puede adquirir y descargar en www.astm.org.

GARANTÍA LIMITADA DEL FABRICANTE DE Swing-N-Slide®

Swing-N-Slide® se enorgullece de la calidad y la durabilidad de nuestros productos. Nuestra garantía limitada del fabricante ofrece confianza y demuestra nuestro compromiso con la entrega de productos de calidad para zonas de recreo residenciales.

GARANTÍA LIMITADA DE POR VIDA DEL FABRICANTE

Swing-N-Slide® garantiza que sus toboganes termoformados y montañas para escalar estarán libres de defectos de mano de obra y materiales, bajo condiciones y uso normales, durante la vida útil del producto.

GARANTÍA LIMITADA DE 5 A—OS DEL FABRICANTE

Swing-N-Slide® garantiza que sus kits de conjunto de juegos personalizados listos para armar y sus accesorios permanecerán libres de defectos de mano de obra y materiales, bajo condiciones y uso normales, durante un período de 5 años.

GARANTÍA LIMITADA DE 5 A—OS DEL FABRICANTE

Swing-N-Slide® garantiza que sus kits de conjunto de juegos No-Cut and Wood Complete Ready-to-Assemble Play Set no experimentarán deterioro debido a putrefacción de la madera o termitas, y que permanecerán libres de defectos de mano de obra y materiales, bajo condiciones y uso normales, durante un período de 5 años en el caso de los componentes estructurales de madera.

Los defectos estéticos que no afecten la integridad estructural del producto o los defectos naturales de la madera como la torsión, la rajadura, la fisuración, el pandeo, contracción, hinchamiento o cualquier otra propiedad física de la madera que no presente un riesgo de seguridad, no están cubiertos por esta garantía.

GARANTÍA DE UN A—O DEL FABRICANTE

Swing-N-Slide® garantiza que sus techos y/o lonas impermeabilizadas de cubierta y envoltura para madera Timber-GLOVE permanecerán libres de defectos de mano de obra y materiales, bajo condiciones y uso normales, durante un período de un año.

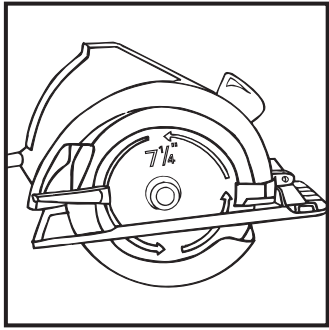
Swing-N-Slide® reparará, o según su criterio, reemplazará, dentro del período de garantía señalado, cualquier pieza que presente defectos de mano de obra o materiales. Esta decisión está sujeta a verificación del defecto luego del envío de la pieza defectuosa a Swing-N-Slide® a 1212 Barbary Drive, Janesville, Wisconsin, 53545. Toda pieza devuelta a Swing-N-Slide® primero debe tener un Número de autorización de devolución aprobado y una prueba de compra, incluida la fecha de compra. Esta garantía es válida sólo si el producto se utiliza para el objetivo que se diseñó y se instala en una vivienda unifamiliar residencial. Esta garantía queda nula si al producto se le da un uso comercial o institucional. Esta garantía no cubre (a) productos que hayan sido dañados por hechos de la naturaleza, negligencia, uso indebido o accidente, o que hayan sido modificados o reparados por personas no autorizadas; (b) el costo de la mano de obra o el costo de envío del producto, alguna pieza o un producto o pieza de reemplazo.

Swing-N-Slide® DESCONOCE TODAS LAS DEMÁS DECLARACIONES Y GARANTÍAS DE CUALQUIER TIPO, EXPRESAS, IMPLÍCITAS, ESTATUTARIAS U OTRAS, INCLUIDAS LAS GARANTÍAS IMPLÍCITAS DE COMERCIABILIDAD Y APTITUD PARA UN FIN ESPECÍFICO. Swing-N-Slide® NO SERÁ RESPONSABLE DE NINGÚN DA—O FORTUITO O CONSECUENTE. Esta garantía no es transferible y no se extiende a los propietarios del producto posteriores al comprador original. Algunos estados no permiten limitaciones en las garantías implícitas ni la exclusión de daños fortuitos o consecuentes, por tanto es posible que estas restricciones no se apliquen en su caso. Esta garantía le otorga derechos legales específicos. Es posible que tenga otros derechos, que pueden variar de un estado a otro.

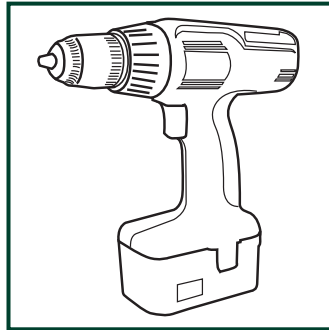
Esta garantía tampoco se aplica a:

- Estructuras no levantadas, mantenidas ni inspeccionadas en conformidad con los planos de instalación de Swing-N-Slide®
- Estructuras en las que se ha agregado o sustituido piezas que no están en conformidad con los planos de instalación de Swing-N-Slide®
- Piezas que se han modificado, alterado o usado indebidamente
- Piezas que no se han usado según su diseño u objetivo
- Daño debido a hechos de la naturaleza, vandalismo, uso anormal o abuso según lo determine Swing-N-Slide®

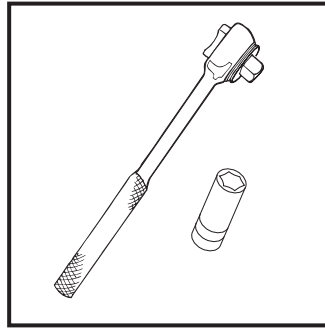
HERRAMIENTAS NECESARIAS/OUTILS REQUIS



Sierra circular
Scie circulaire



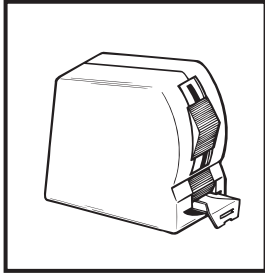
Taladro eléctrico
Perceuse électrique



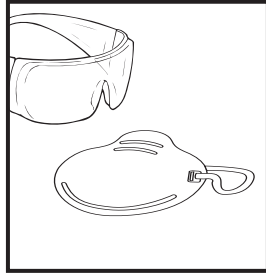
Dado y llave de 1/2" (12 mm)
Clé et douille de 1/2 po (12 mm)



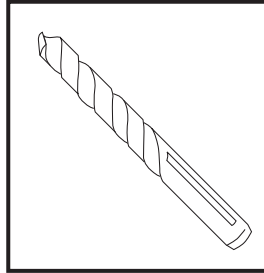
Martillo
Marteau



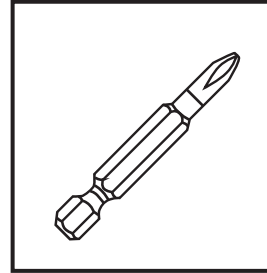
Cinta métrica
Ruban à mesurer



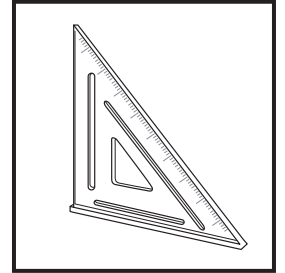
Gafas de seguridad
y máscara antipolvo
Lunettes de sécurité
et masque protecteur
contre la poussière



Broca de taladro de 3/8 po
(9,5 mm) (6 po min. [152 mm])
Perceuse et mèche de 3/8 po
(9 mm) (min. 6 po [150 mm])



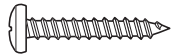
Broca de estrella
Mèche cruciforme



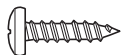
Escuadra de carpintero
Équerre du charpentier



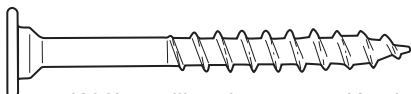
(2) Tornillos con cabeza redonda aplanada de 1-3/4 po (44 mm)
(2) Vis à tête cylindrique bombée de 1-3/4 po (44 mm)



(6) Tornillos con cabeza redonda aplanada de 3/4 po (19 mm)
(6) Vis à tête cylindrique bombée de 3/4 po (19 mm)



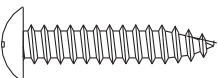
(2) Tornillos con cabeza redonda aplanada de 1/2 po (12,7 mm)
(2) Vis à tête cylindrique bombée de 1/2 po (12,7 mm)



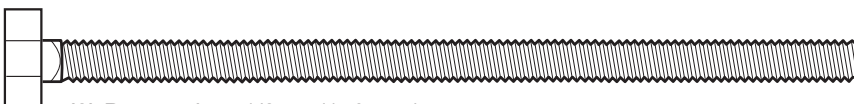
(108) tornillos de compresión de 2 po (5,1 cm)
(108) Tire-fonds de 2 po (5,1 cm)



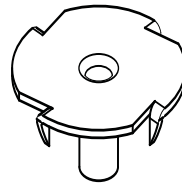
(16) Tornillos de 1-1/4 po (32 mm)
(16) Vis de 1-1/4 po (32 mm)



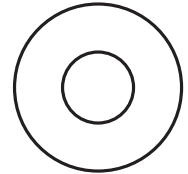
(4) Tornillos de 1 po (25,4 mm)
(4) Vis de poutrelle 1 po (25,4 mm)



(2) Pernos de 5-1/2 po (140 mm)
(2) Boulons de 5-1/2 po (140 mm)



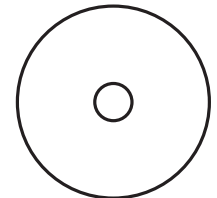
(6) Tuercas en T
(6) Écrous en T



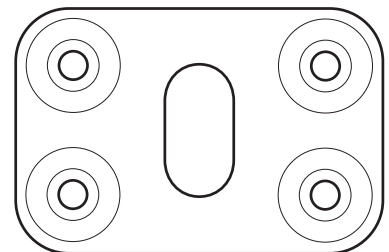
(2) arandelas planas
de 5/16 po (7,9 mm)
(2) Rondelles plates
de 5/16 po (7,9 mm)



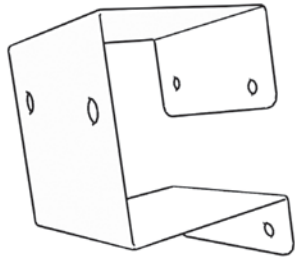
(4) arandelas planas
de 1/4 po (6,4 mm)
(4) Rondelles plates
de 1/4 po (6,4 mm)



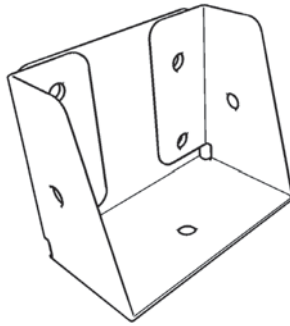
(6) arandelas para
techo de lona
(6) Rondelles à bâche



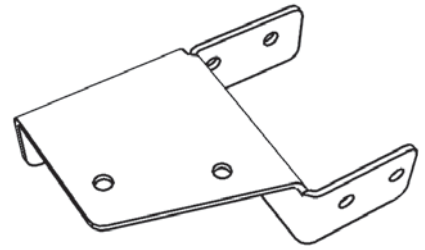
(4) Agarraderas de viga SQ
(4) attaches-supports carrées



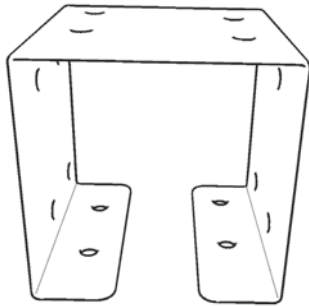
(2) abrazaderas de estante
(2) Connecteurs Shelf-Loc



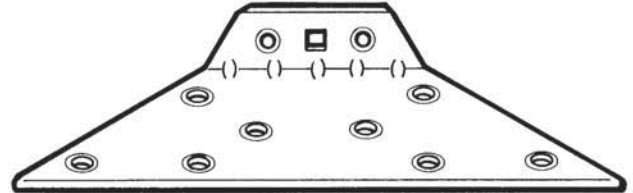
(10) Soportes de caja
(10) Connecteurs Cup-Loc



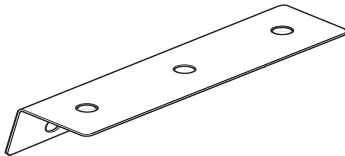
(2) abrazaderas divididas para viga
(2) Supports à poutre fendu



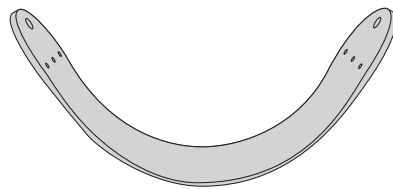
(6) abrazaderas de bloqueo
(6) Connecteurs Cup-Loc



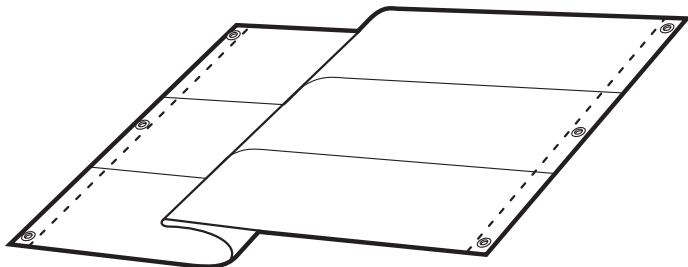
(2) soportes del marco EZ
(2) Connecteurs EZ Frame



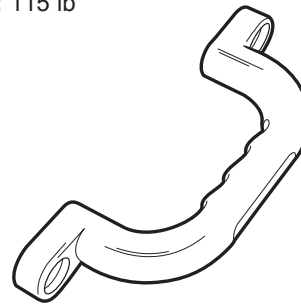
(10) Abrazaderas de peldaño
Nota: (5 izquierdas, 5 derechas)
(10) Supports de marche
Remarque : (5 gauche, 5 droit)



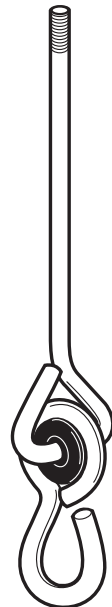
(2) asientos del columpio WS 4518
Límite de peso: 115 libras
(2) sièges de balançoire WS 4518
Poids limite : 115 lb



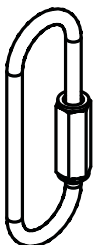
(1) Lona multicolor
(1) Bâche multicolore



(2) manija de seguridad
(2) Poignée de sécurité



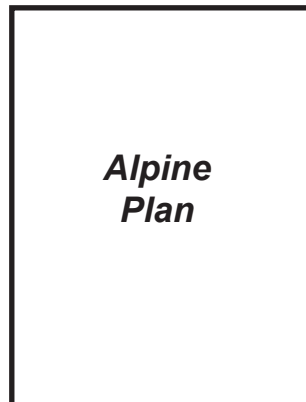
(4) Colgadores para columpio
(4) Supports de balançoire



(4) Eslabón rápido
(4) Maillon rapide



(1) broca T30 Torx®
(1) Foret Torx® T30



(1) plano
(1) Plan



(1) placa del nombre
(1) Plaque d'identification

ALPINE

comprado por separado
acheté séparément



(3 libras) Tornillos de 2-1/2 po (6,4 cm)
(3 livres) Vis de 2-1/2 po (6,4 cm)



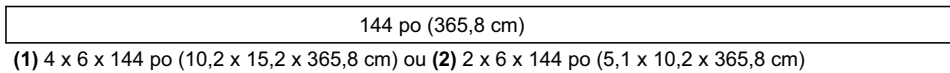
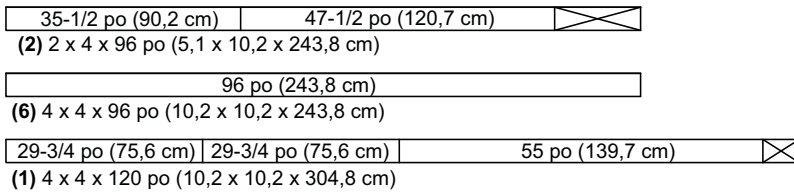
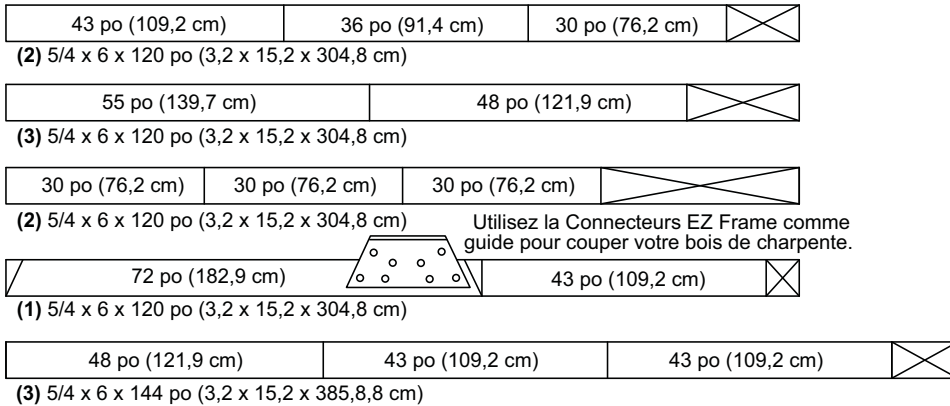
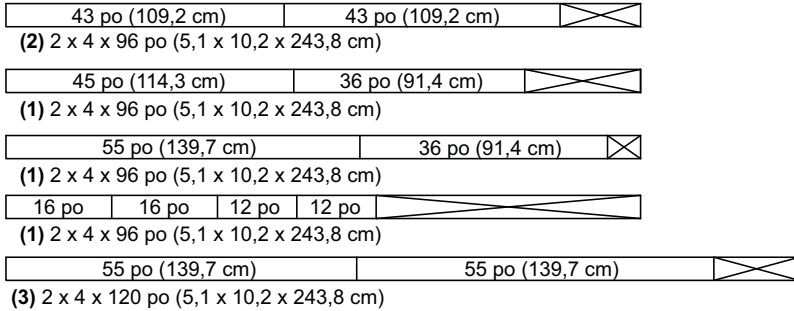
(1 libra) Tornillos de 2 po (5,1 cm)
(1 livre) Vis de 2 po (5,1 cm)



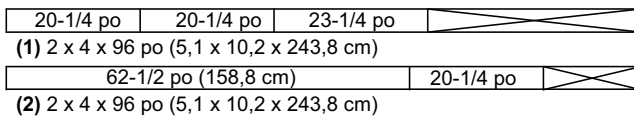
(1 libra) tornillos de 1-1/4 po (3,2 cm)
(1 livre) Vis de 1-1/4 po (3,2 cm)

ALPINE

- (5) 2 x 4 x 96 po (5,1 x 10,2 x 243,8 cm)
- (3) 2 x 4 x 120 po (5,1 x 10,2 x 304,8 cm)
- (8) 5/4 x 6 x 120 po (3,2 x 15,2 x 304,8 cm)
- (3) 5/4 x 6 x 144 po (3,2 x 15,2 x 385,8 cm)
- (8) 4 x 4 x 96 po (10,2 x 10,2 x 243,8 cm)
- (1) 4 x 4 x 120 po (10,2 x 10,2 x 304,8 cm)
- (1) 4 x 6 x 144 po (10,2 x 15,2 x 365,8 cm)
- ou
- (2) 2 x 6 x 144 po (5,1 x 15,2 x 365,8 cm)
- ÉCHELLE EN OPTION
- (3) 2 x 4 x 120 po (5,1 x 10,2 x 243,8 cm)



ÉCHELLE EN OPTION



Cómo seleccionar el sujetador apropiado

Comment choisir le bon système d'attache

Utilice estas tres guías ilustradas para seleccionar el (los) sujetador(es) apropiado(s) para el ajuste de maderas que usted está haciendo. Cada diagrama resaltaré el número correcto de sujetadores que debe usarse, y dónde fijarlos. Utilisez ces 3 guides illustrés pour faciliter le choix du ou des système(s) d'attache(s) pour l'assemblage de pièces de bois concernées. Chaque diagramme mettra en évidence le bon nombre d'attaches à utiliser et indiquera l'emplacement de leur(s) point(s) d'attache.

5/4 x 6 po (3,2 x 15,2 cm) a 4 x 4 po (10,2 x 10,2 cm)
5/4 x 6 po (32 x 150 mm) à 4 x 4 po (100 x 100 mm)

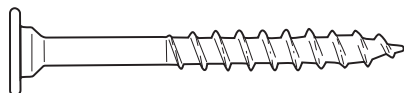


(4) Tornillos de 2-1/2 po (6.4 cm)

Aplique los tornillos de 2-1/2 po (6.4 cm) para fijar las tablas de 5/4 po (3.2 cm) a los parales de 4 x 4 po (10.2 x 10.2 cm) como se muestra.

(4) Vis de 2-1/2 po (64 mm)

Installez les vis de 2-1/2 po (64 mm) pour fixer les planches de 5/4 po (32 mm) montants de 4 x 4 po (100 x 100 mm) tel qu'illustré.

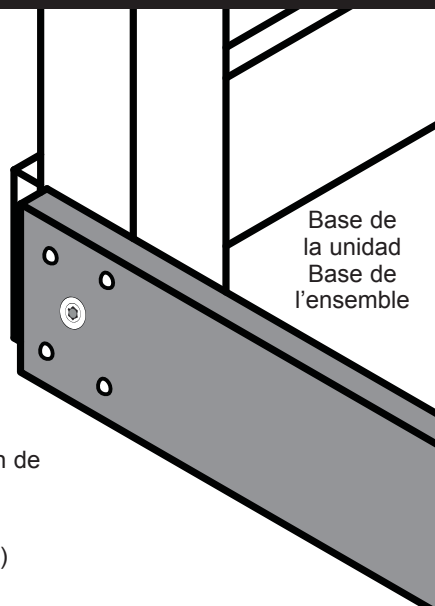


(1) Tornillo de compresión de 2 po (5.1 cm)

Luego de fijar los 2 tornillos de 1/2 po (1.27 cm), aplique el tornillo de compresión de 2 po (5.1 cm) como se indica, para brindar mayor soporte.

(1) Tire-fonds 2 po (50 mm)

Après avoir installé les vis de 2 1/2 (64 mm), serrez le (1) tire-fond de 2 po (50 mm) comme illustré pour un support supplémentaire.



2 x 4 po (5,1 x 10,2 cm) a 4 x 4 po (10,2 x 10,2 cm)
2 x 4 po (50 x 100 mm) à 4 x 4 po (100 x 100 mm)

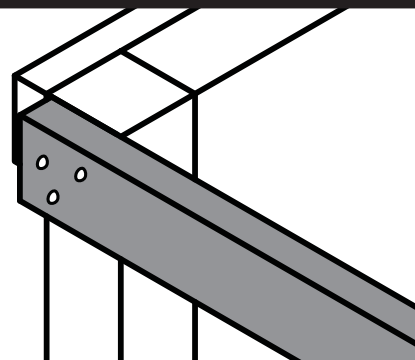


(3) Tornillos de 2-1/2 po (6.4 cm)

Aplique los tornillos de 2-1/2" (6.35 cm) a las tablas de 2 x 4 po (5.1 x 10.2 cm) cuando se estén fijando los parales de 4 x 4 po (10.2 x 10.2 cm).

(3) Vis de 2-1/2 po (64 mm)

Serrez les vis de 2-1/2 po (64 mm) sur les planches de 2 x 4 (50 x 100 mm) pour les attacher aux montants de 4 x 4 (100 x 100 mm).



5/4 x 6 po (3,2 x 15,2 cm) a 2 x 4 po (5,1 x 10,2 cm)
5/4 x 6 po (32 x 150 mm) à 2 x 4 po (50 x 100 mm)

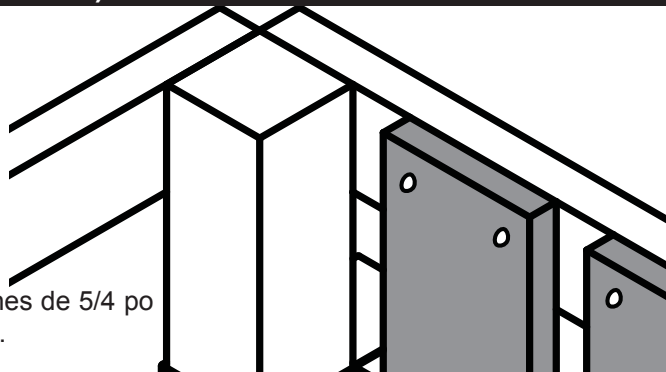


(2) Tornillos de 2 po (5,1 cm)

Use tornillos de 2 po (5.1 cm) cuando monte las tablas de 5/4 po a las tablas de 2 x 4 po (5.1 x 10.2 cm).

(2) Vis de 2 po (50 mm)

Utilisez des vis de 2 po (50 mm) pour fixer des planches de 5/4 po (32 mm) sur des planches de 2 x 4 po (50 x 100 mm).

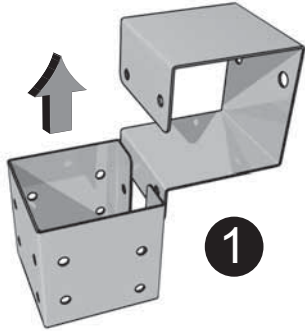


Cómo funciona el sistema de abrazaderas

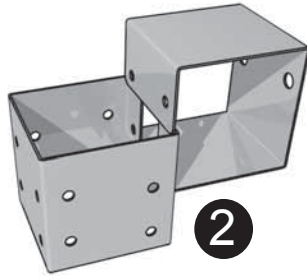
Comprendre le fonctionnement du système de fixation

abrazadera de estante
Connecteur « Shelf-Loc »

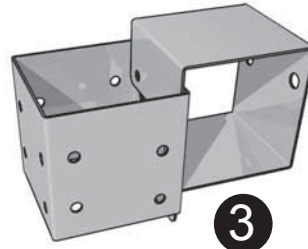
Ejemplo de una conexión con abrazadera de estante.
Exemple de connecteur « Shelf-Loc ».



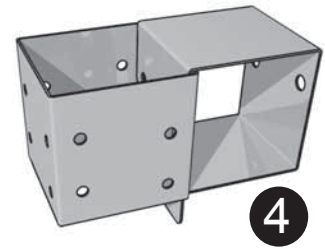
1



2



3

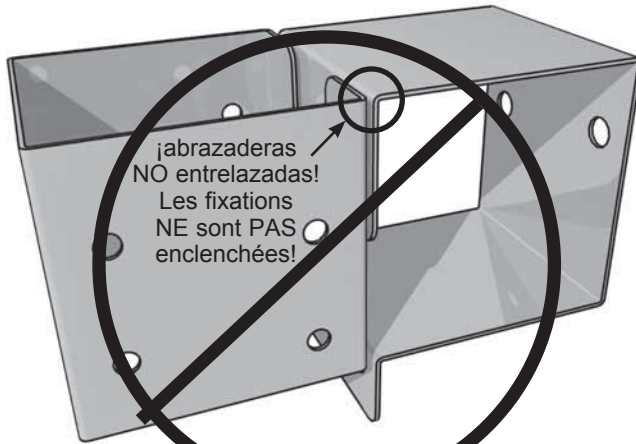


4

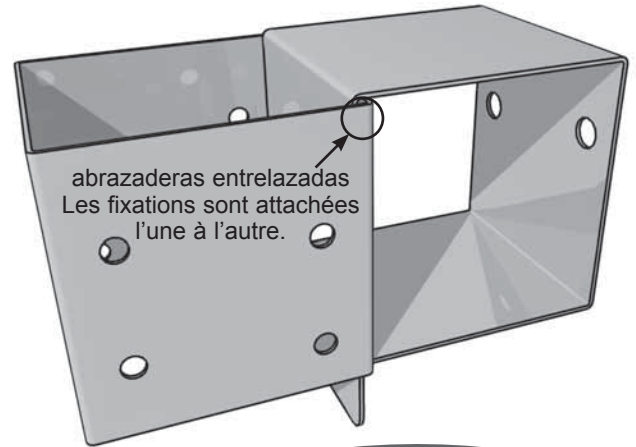
¡CORRECTO!/BONNE MÉTHODE!

abrazadera de envoltura
Connecteur Wrap-Loc

¡INCORRECTO!/MAUVAISE MÉTHODE!



¡abrazaderas
NO entrelazadas!
Les fixations
NE sont PAS
enclenchées!

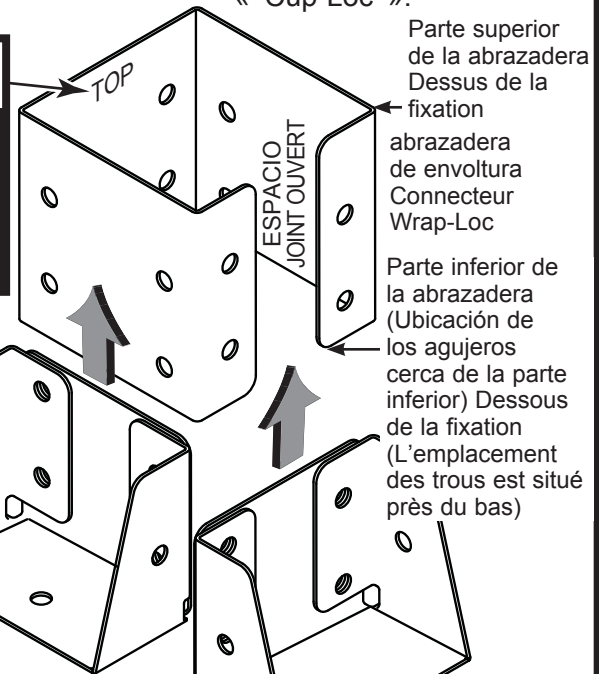


abrazaderas entrelazadas
Les fixations sont attachées
l'une à l'autre.

Ejemplo de una conexión con
abrazadera de estante.
Exemple de connecteur
« Cup-Loc ».



Busque la marca "TOP" (PARTE SUPERIOR) en la abrazadera para una orientación correcta. Cherchez l'estampille « TOP » (DESSUS) sur la fixation pour connaître la bonne orientation.



Parte superior de la abrazadera
Dessus de la fixation

abrazadera de envoltura
Connecteur Wrap-Loc

Parte inferior de la abrazadera
(Ubicación de los agujeros cerca de la parte inferior)
Dessous de la fixation
(L'emplacement des trous est situé près du bas)

abrazadera de envoltura
Connecteur Cup-Loc

Introducción al sistema de abrazaderas

1. **SIEMPRE** Use dos tornillos de compresión de 2 po (5,1 cm) en todas las abrazaderas.
2. Las abrazaderas se "enganchan" entre sí. **NUNCA** las coloque en una posición que no sea entrelazada.

Présentation du système de fixation

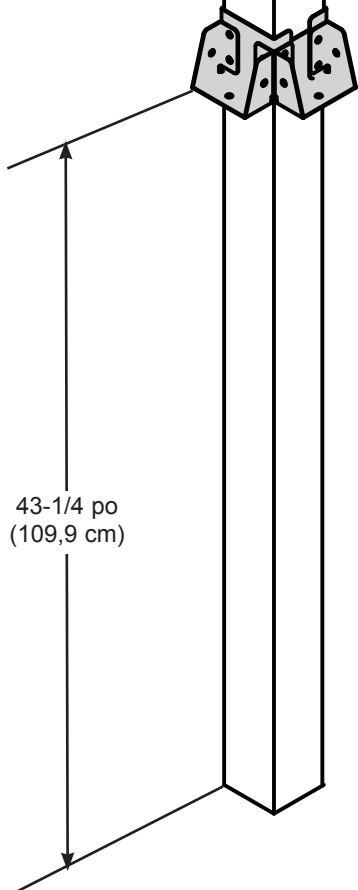
1. Veillez à **TOUJOURS** utiliser des tire-fonds de 2 po (5,1 cm) avec toutes les fixations.
2. Les fixations doivent être « attachées » les unes aux autres. Veillez à **NE JAMAIS** les placer dans une position de non-enclenchement.

abrazadera de estante
Connecteur « Shelf-Loc »

**Las abrazaderas se enganchan entre sí
Les fixations s'attachent ensemble.**

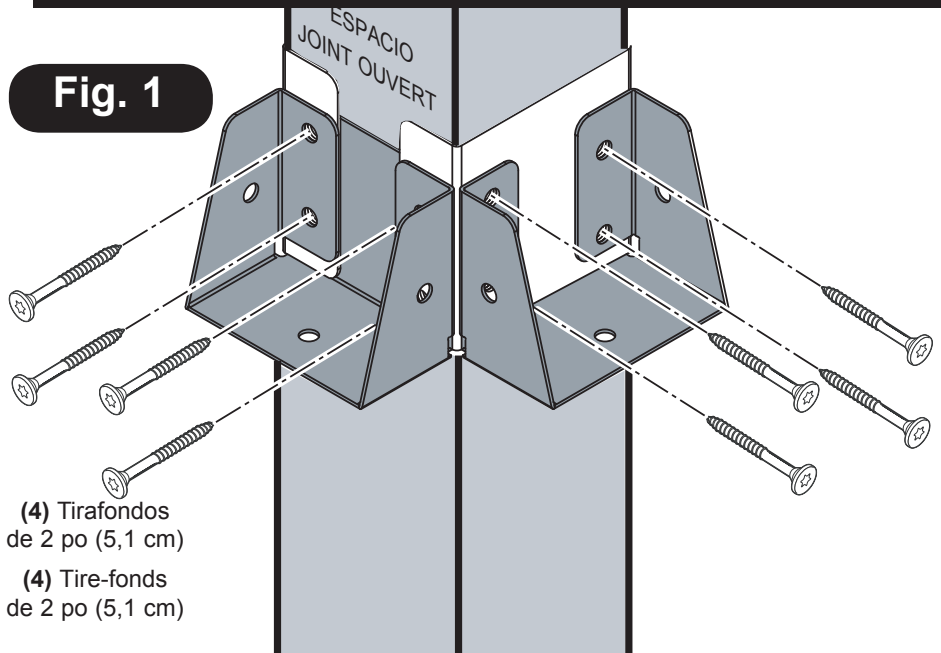
4 x 4 x 96 po
(10,2 x 10,2 x 243,8 cm)

**Repetir
4 veces
Répétez 4 x**



RECUERDE: los soportes se entrelazan. El soporte de caja se encajará y calzará en el soporte envolvente de la manera en que se muestra a continuación.

SOUVENEZ-VOUS : les supports sont inter-verrouillables. Le connecteur Cup-Loc pincera et serrera le connecteur Wrap-Loc tel qu'illustré ci-dessous.



A. Construcción de los marcos

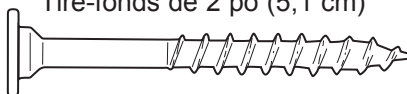
1. Tome las medidas y ubique los soportes en los (4) montantes de 4 x 4 x 96 po (10,2 x 10,2 x 243,8 cm), como se muestra en la (Fig. 1).

A. Construction du Cadre

1. Mesurez et positionnez les support sur les 4 planches de 4 x 4 x 96 po (10,2 x 10,2 x 243,8 cm) tel qu'illustré à la (Fig. 1).

Tirafondo de 2 po (5,1 cm)

Tire-fonds de 2 po (5,1 cm)



X 8 (4 por cada soporte) (4 à chaque support)

La abertura del soporte envolvente debe colocarse tal como se muestra en las ubicaciones para su uso posterior. (Véase página 24)

L'ouverture du connecteur Wrap-Loc doit être positionnée tel qu'illustré ci-dessous pour une utilisation ultérieure. (Voir page 24)

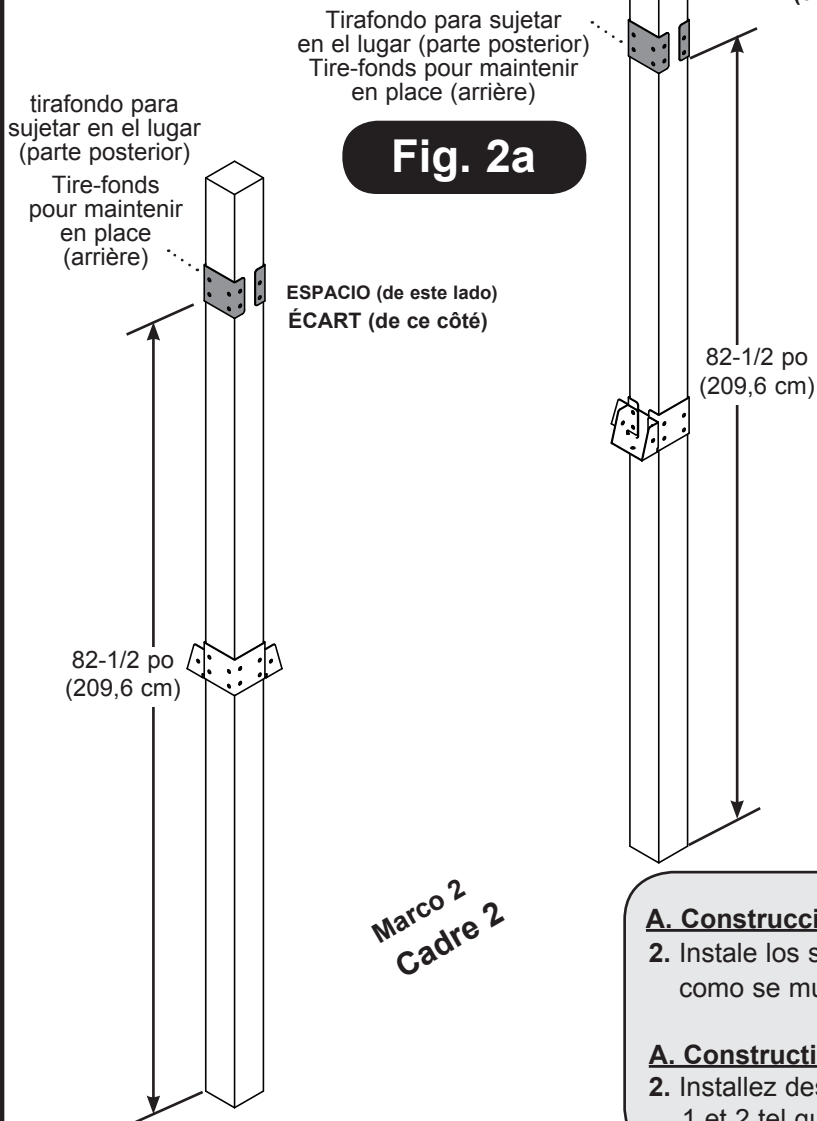
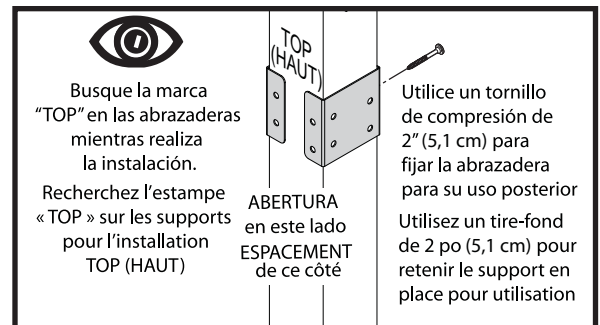


Fig. 2



A. Construcción de los marcos (cont.)

2. Instale los soportes envolventes superiores en el Marco 2, como se muestra en la (Fig. 2a)

A. Construction du cadre (suite)

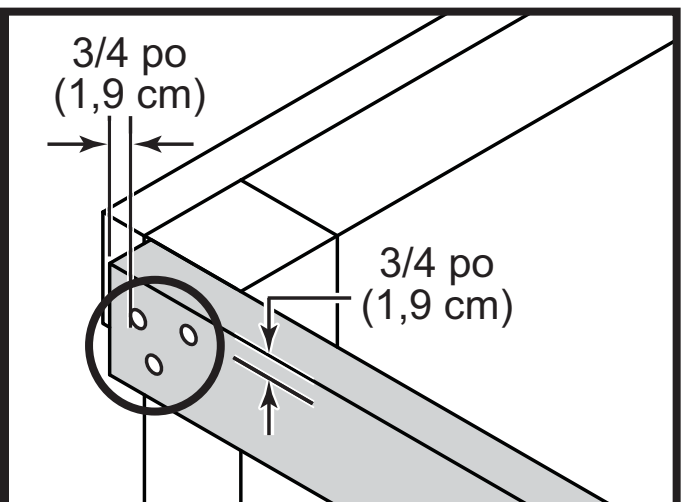
2. Installez des connecteurs Wrap-Loc supérieurs sur les cadres 1 et 2 tel qu'illustré à la (Fig. 2a).

• ADVERTENCIA •

Evite rajar la madera, para ello coloque los tornillos a una distancia de 3/4 po (1,9 cm) del borde.

• MISE EN GARDE •

Évitez de faire fendre votre pièce de bois en décalant vos vis ou clous à au moins 3/4 po (1,9 cm) du bord.



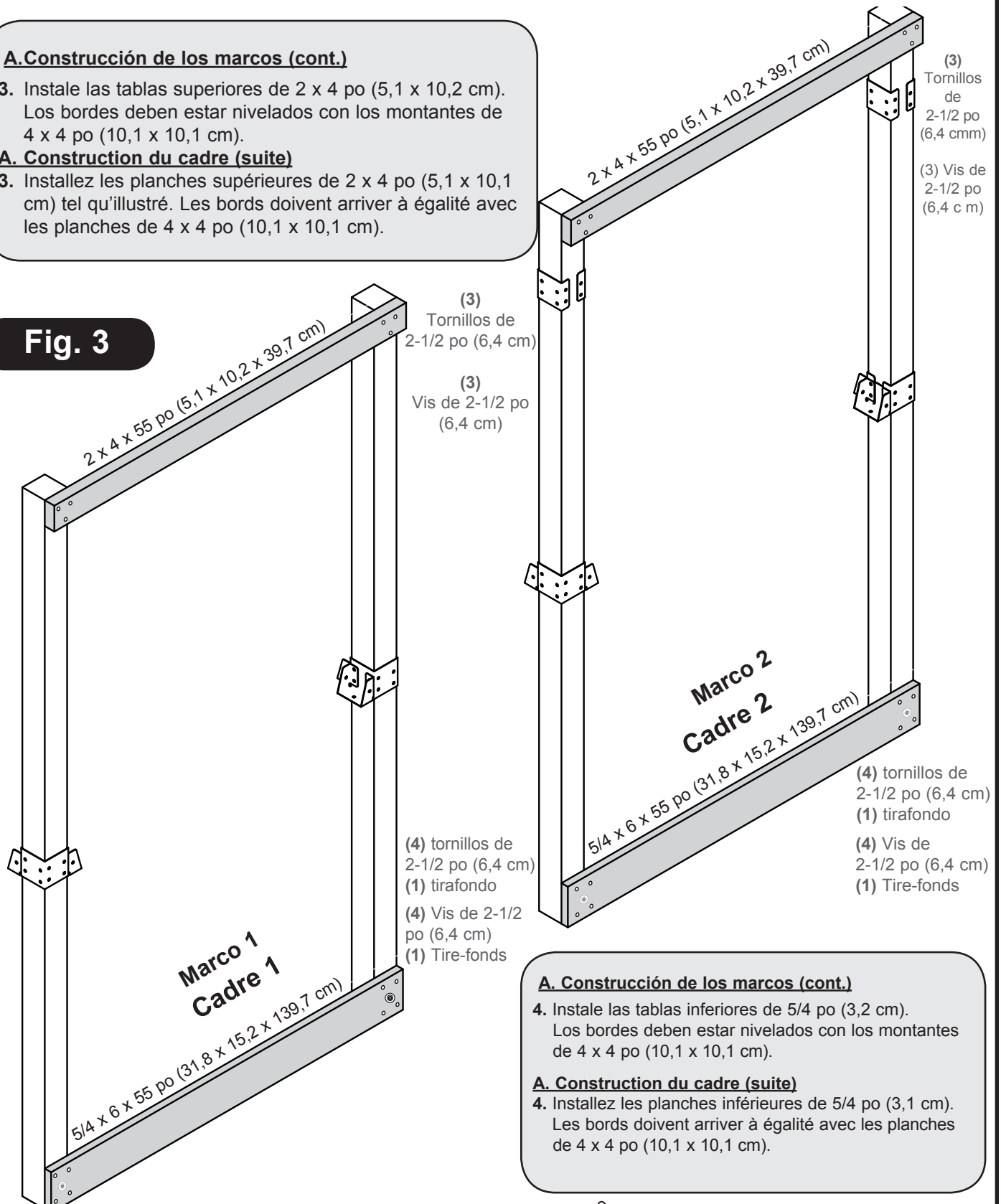
A. Construcción de los marcos (cont.)

3. Instale las tablas superiores de 2 x 4 po (5,1 x 10,2 cm). Los bordes deben estar nivelados con los montantes de 4 x 4 po (10,1 x 10,1 cm).

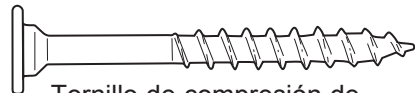
A. Construction du cadre (suite)

3. Installez les planches supérieures de 2 x 4 po (5,1 x 10,1 cm) tel qu'illustré. Les bords doivent arriver à égalité avec les planches de 4 x 4 po (10,1 x 10,1 cm).

Fig. 3



Tornillo de 2-1/2 po (6,4 cm)
Vis de 2-1/2 po (6,4 cm)



Tornillo de compresión de 2 po (5,1 cm)
Tire-fond de 2 po (5,1 cm)

A. Construcción de los marcos (cont.)

4. Instale las tablas inferiores de 5/4 po (3,2 cm). Los bordes deben estar nivelados con los montantes de 4 x 4 po (10,1 x 10,1 cm).

A. Construction du cadre (suite)

4. Installez les planches inférieures de 5/4 po (3,1 cm). Les bords doivent arriver à égalité avec les planches de 4 x 4 po (10,1 x 10,1 cm).

Fig. 4

(3) Tornillos de 2-1/2 po (6,4 cm)

(3) Vis de 2-1/2 po (6,4 cm)

2 x 4 x 43 po (5,1 x 10,2 x 109 cm)

2 x 4 x 43 po (5,1 x 10,2 x 109 cm)

A. Construcción de los marcos (cont.)

5. Sujete las tablas superiores de 2 x 4 po (5,1 x 10,2 cm) tal como se muestra en la (Fig. 4). Los bordes deben estar nivelados con los montantes de 4 x 4 po (10,2 x 10,2 cm).

A. Construction du cadre (suite)

5. Attachez les planches de 2 x 4 po (5,1 x 10,1 cm) supérieures tel qu'illustré à la (Fig. 4). Les bords doivent arriver à égalité avec les planches de 4 x 4 po (10,1 x 10,1 cm).

Marco 1
Cadre 1

5/4 x 6 x 43 po (3,2 x 15,2 x 109 cm)

5/4 x 6 x 43 po (3,2 x 15,2 x 109 cm)

(4) Tornillos de 2-1/2 po (6,4 cm)

(1) Tirafondo de 2 po (5,1 cm)

(4) Vis de 2-1/2 po (6,4 cm)

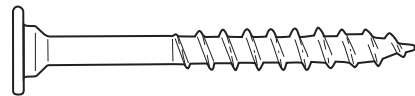
(1) Tire-fonds de 2 po (5,1 cm)

A. Construcción de los marcos (cont.)

6. Sujete las tablas inferiores de 5/4 po (3,2 cm) tal como se muestra en la (Fig. 4). Los bordes deben estar nivelados con los montantes de 4 x 4 po (10,1 x 10,1 cm).

A. Construction du cadre (suite)

6. Attachez les planches inférieures de 5/4 po (3,1 cm) tel qu'illustré à la (Fig. 4). Les bords doivent arriver à égalité avec les planches de 4 x 4 po (10,1 x 10,1 cm).



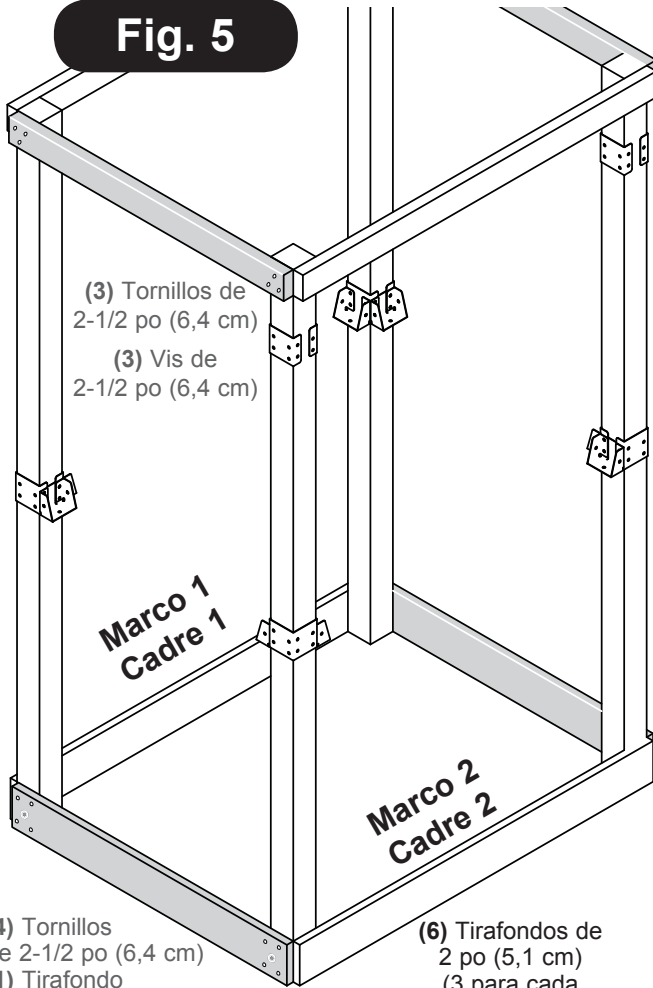
Tornillo de compresión de 2 po (5,1 cm)

Tire-fond de 2 po (5,1cm)



Tornillo de 2-1/2 po (6,4 cm)

Vis de 2-1/2 po (6,4 cm)

Fig. 5

- (3) Tornillos de 2-1/2 po (6,4 cm)
 (3) Vis de 2-1/2 po (6,4 cm)

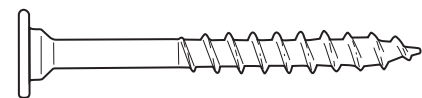
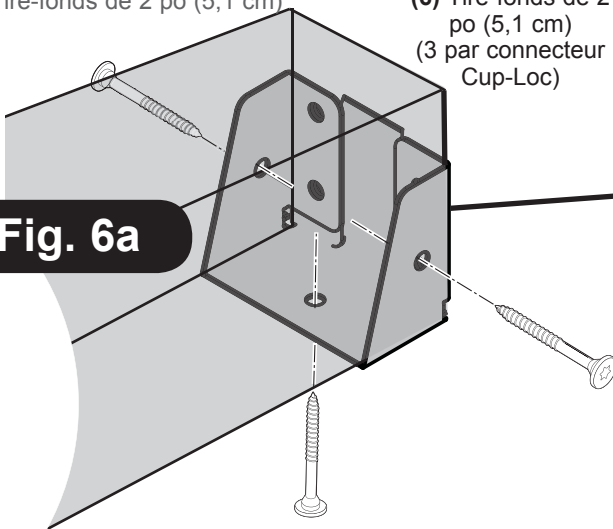
Marco 1
Cadre 1

Marco 2
Cadre 2

- (4) Tornillos de 2-1/2 po (6,4 cm)
 (1) Tirafondo de 2 po (5,1 cm)
 (4) Vis de 2-1/2 po (6,4 cm)
 (1) Tire-fonds de 2 po (5,1 cm)

- (6) Tirafondos de 2 po (5,1 cm)
 (3 para cada soporte de caja)

- (6) Tire-fonds de 2 po (5,1 cm)
 (3 par connecteur Cup-Loc)

Fig. 6a

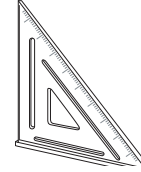
Tornillo de compresión de 2 po (5,1 cm) **x 3**
 Tire-fond de 2 po (5,1 cm)

A. Construcción de los marcos (cont.)

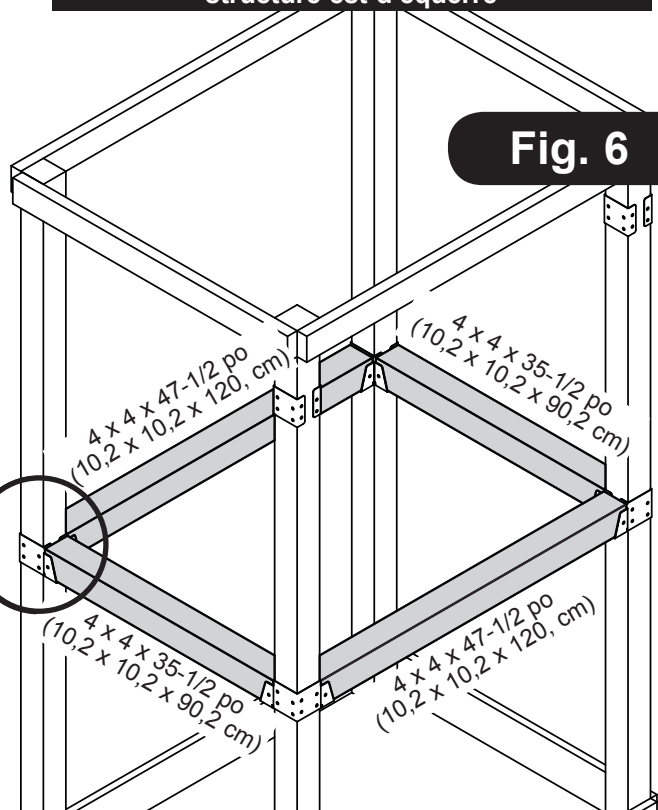
7. Fije las tablas superiores de 2 x 4 po (5,1 x 10,2 cm) y las tablas inferiores de 5/4 po (3,2 cm) al **Marco 2**, tal como se muestra en la (**Fig. 5**). Los bordes deben estar nivelados con los montantes de 4 x 4 po (10,2 x 10,2 cm).

A. Construction du cadre (suite)

7. Attachez les planches de 2 x 4 po (5,1 x 10,2 cm) supérieures et les planches de 5/4 po (3,2 cm) inférieures au **cadre 2** tel qu'illustré à la (**Fig. 5**). Les bords doivent arriver à égalité avec les planches de 4 x 4 po (10,2 x 10,2 cm).



Verifique dos veces para asegurarse de que la estructura esté en escuadra
Revérifiez le tout pour vous assurer que la structure est d'équerre

Fig. 6**A. Construcción de los marcos (cont.)**

8. Instale las vigas de 4 x 4 po (10,2 x 10,2 cm), tal como se muestra en la (**Fig. 6**).

9. Instale tirafondos en cada esquina, tal como se muestra en la (**Fig. 6a**).

A. Construction du cadre (suite)

8. Installez les poutres de 4 x 4 po (10,2 x 10,2 cm) comme illustré dans la (**Fig. 6**).

9. Installez des tire-fonds à chaque extrémité comme illustré à la (**Fig. 6a**).

2 x 4 x 12 po
(5,1 x 10,2 x 30,5 cm)

Fig. 7

Viga central de soporte
Poutre de support central

2 x 4 x 45 po (5,1 x 10,2 x 114,3 cm)

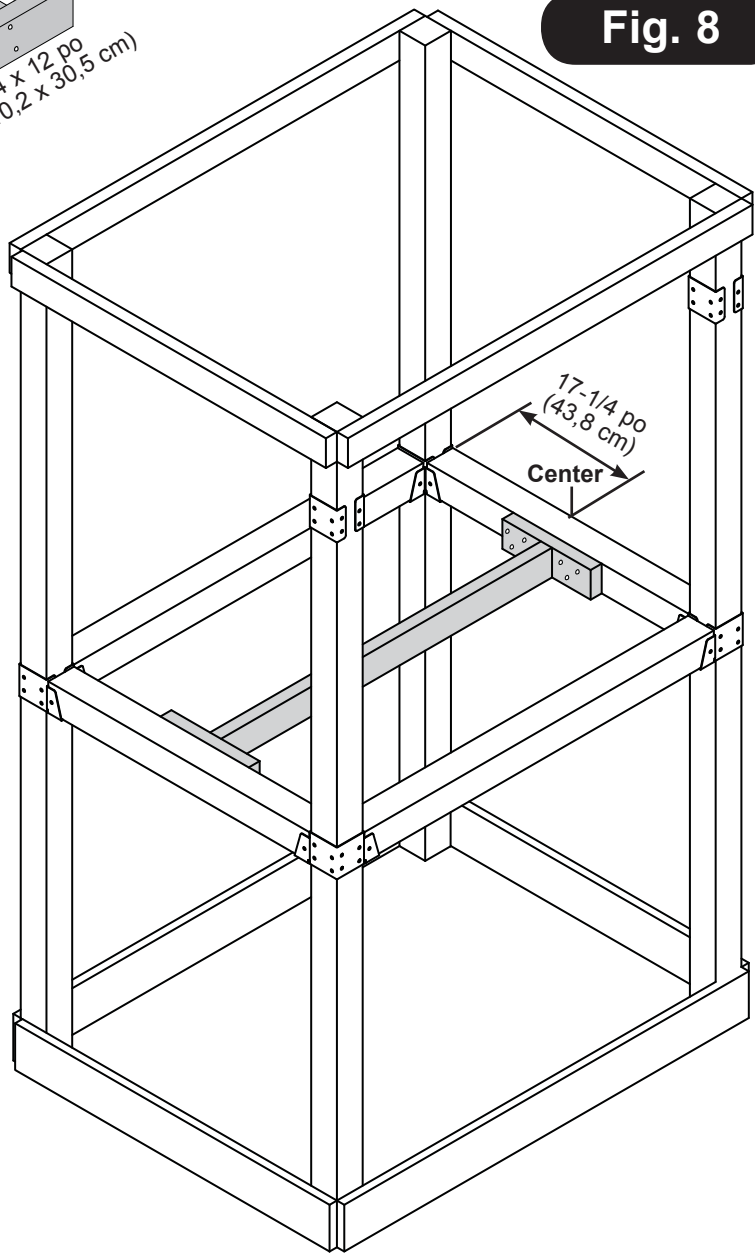
- (2) Tornillos de 2-1/2 po (6,4 cm) a cada lado
- (2) Vis de 2-1/2 po (6,4 cm) par côté

2 x 4 x 12 po
(5,1 x 10,2 x 30,5 cm)

B. Viga central de soporte
1. Arme la viga central de soporte siguiendo las instrucciones de la (Fig. 7).

B. Poutre de support central
1. Construisez la poutre de support centrale en vous conformant aux instructions de la (Fig. 7).

Fig. 8



- (6) Tornillos de 2-1/2 po (6,4 cm) a cada lado
- (2) Visde 2-1/2 po (6,4 cm) par côté

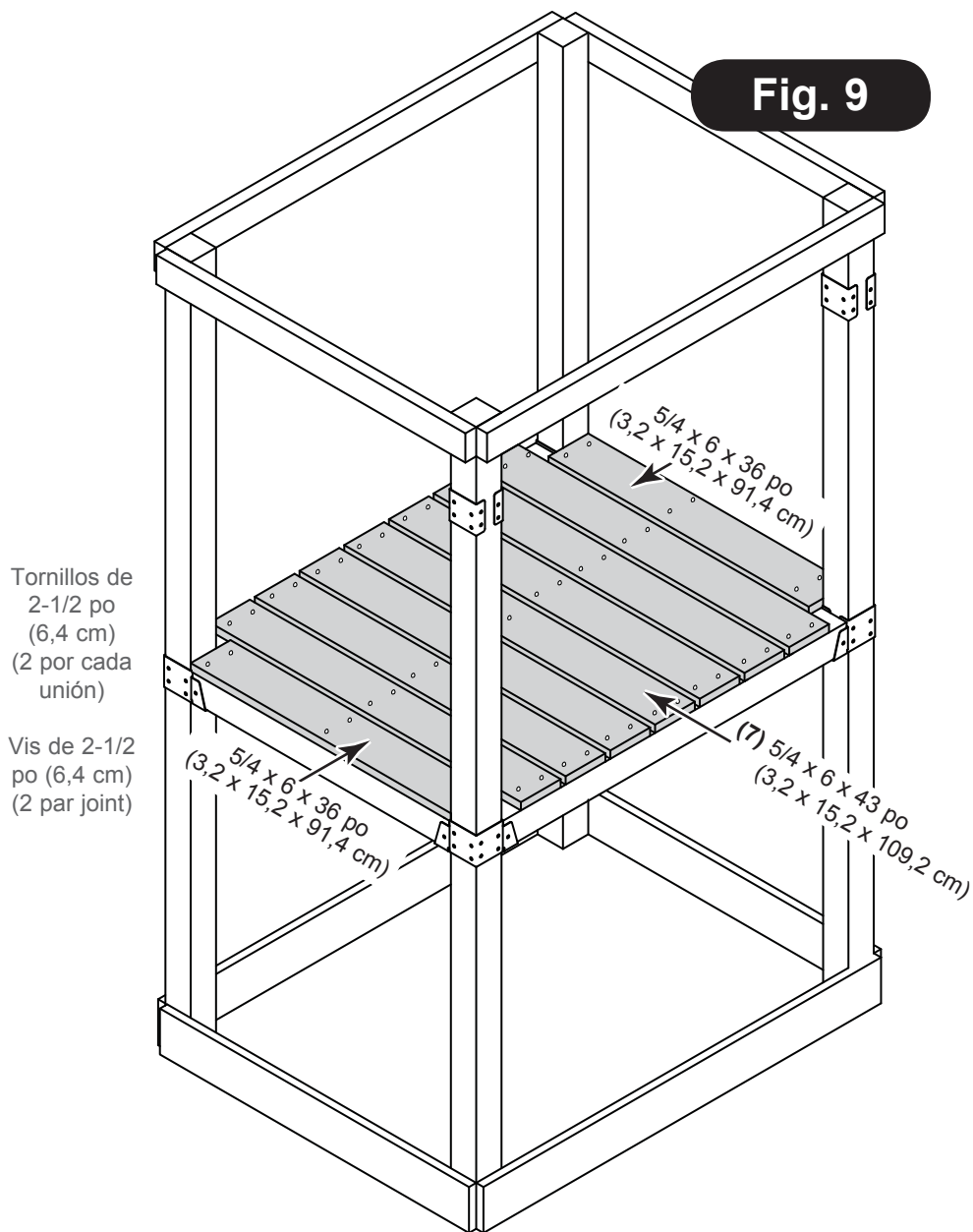
B. Viga central de soporte (cont.)
2. Fije la viga central de soporte a la estructura, según se muestra en la (Fig. 8).

B. Poutre de support centrale (suite)
2. Fixez la poutre de support centrale à la structure comme illustré à la (Fig. 8).



Tornillo de 2-1/2 po (6,4 cm)
Vis de 2-1/2 po (6,4 cm)

Fig. 9



Tornillo de 2-1/2 po (6,4 cm)
Vis de 2-1/2 po (6,4 cm)



C. Instalación de las tablas de la plataforma

1. Instale las tablas de 5/4 po (3,2 cm) de la plataforma sobre la estructura, como se muestra en la (**Fig. 9**).
2. Utilice dos tornillos de 2-1/2 po (6,4 cm) en el centro y en cada extremo de las tablas de la plataforma.

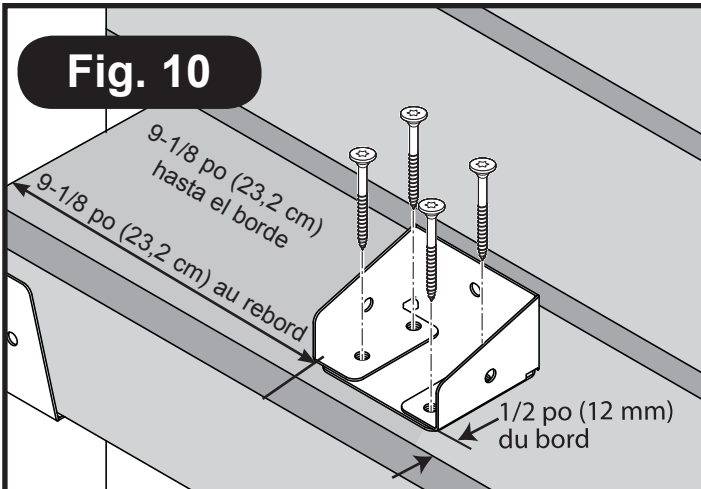
Nota: los tornillos del centro se fijarán a la viga central de soporte.

C. Installez les planches de la terrasse

1. Installez les planches de la terrasse de 5/4 po (3,2 cm) sur la structure tel qu'illustré à la (**Fig. 9**).
2. Utilisez deux vis/clous de 2-1/2 po (6,4 cm) au centre à chaque extrémité des planches de la terrasse.

Remarque : les vis/clous du centre doivent se fixer au support central.

Fig. 10



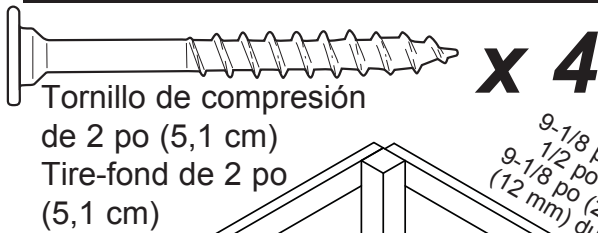
Instale el soporte de caja mediante (4) tirafondos de 2 po (5,1 cm)
 Installez les connecteurs Cup Loc à l'aide de (4) tire-fonds de 2 po (5,1 cm)

D. Instalación de los soportes de las barandas de 4 x 4 po (10,2 x 10,2 cm)

1. Instale los (2) soportes de caja, como se muestra en la (Fig. 10a).
2. Instale los (2) soportes de las barandas de 4 x 4 x 29-3/4 po (10,2 x 10,2 x 75,6 cm), como se muestra en las (Fig. 11) y (Fig. 11a).

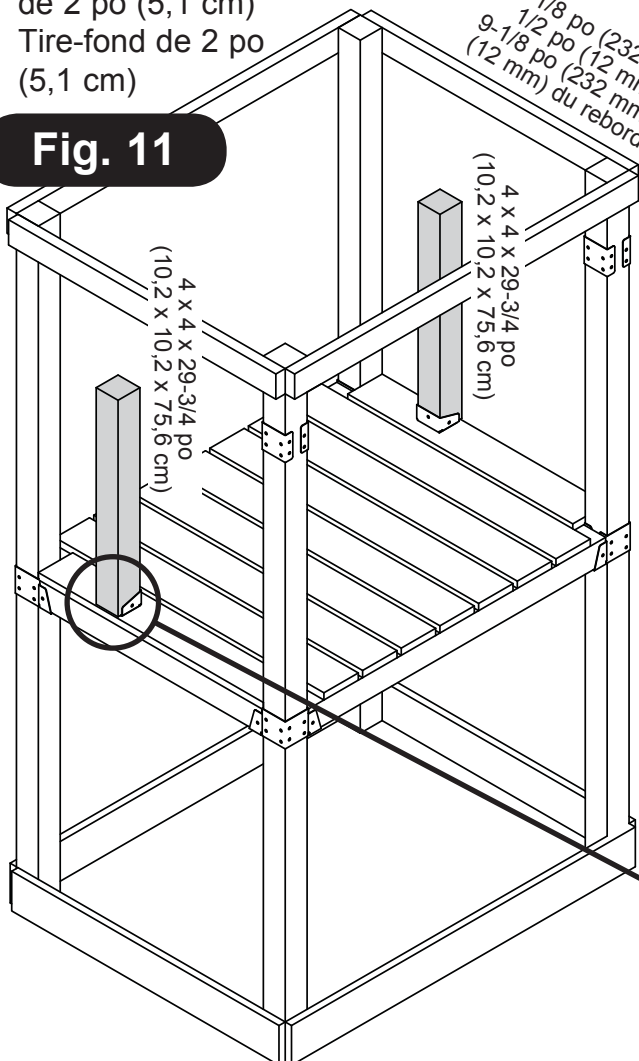
D. Installez les supports de rampe de 4 x 4

1. Installez (2) connecteurs Shelf-Loc (2) tel qu'illustré aux (Fig.10) et (Fig. 10a).
2. Installez (2) planches de 4 x 4 x 29-3/4 po (10,1 x 10,1 x 75,6 cm) tel qu'illustré à la (Fig. 11) et à la (Fig. 11a).



Tornillo de compresión de 2 po (5,1 cm)
 Tire-fond de 2 po (5,1 cm)

Fig. 11



Tornillo de compresión de 2 po (5,1 cm)
 Tire-fond de 2 po (5,1 cm)

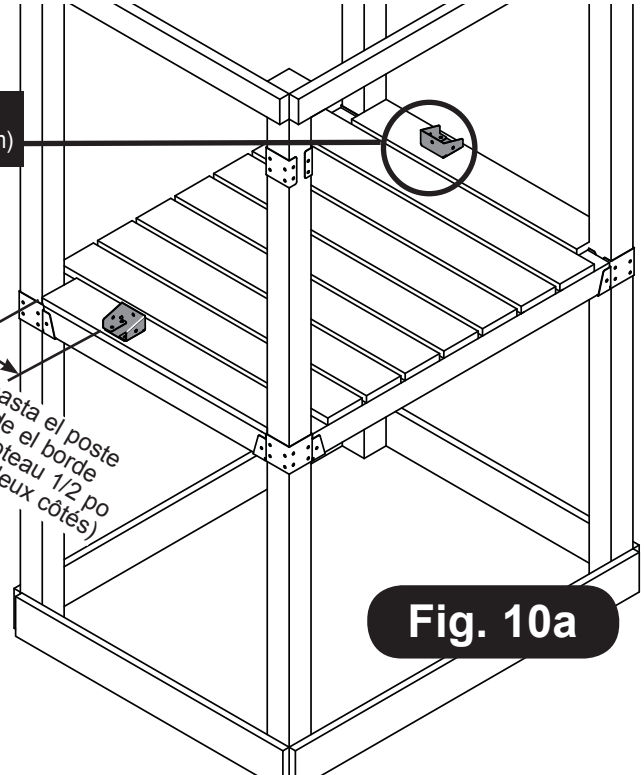


Fig. 10a

Fije los montantes de 4 x 4 po (10,2 x 10,2 cm) con (3) tirafondos de 2 po (5,1 cm)
 El soporte debe estar a 1/2 po (1,3 cm) del borde.
 Fixez les montants de 4 x 4 po (10,1 x 10,1 cm) à l'aide de (3) tire-fonds de 2 po (5,1 cm)
 Le support doit être à 1/2 po (1,3 cm) du bord

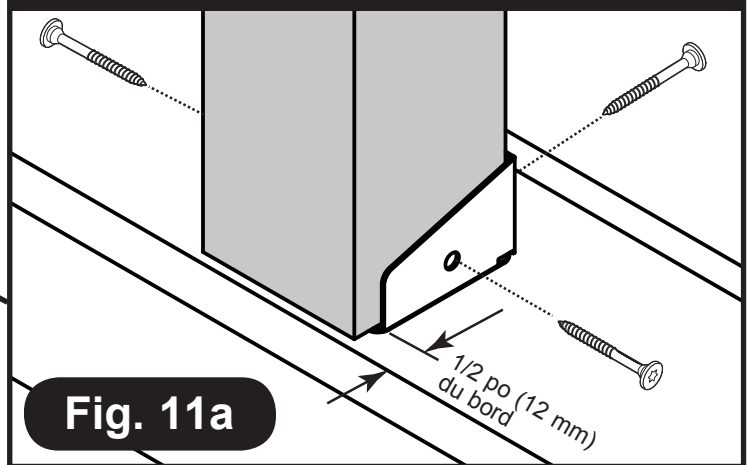


Fig. 11a

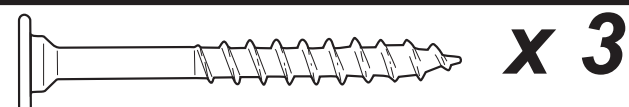
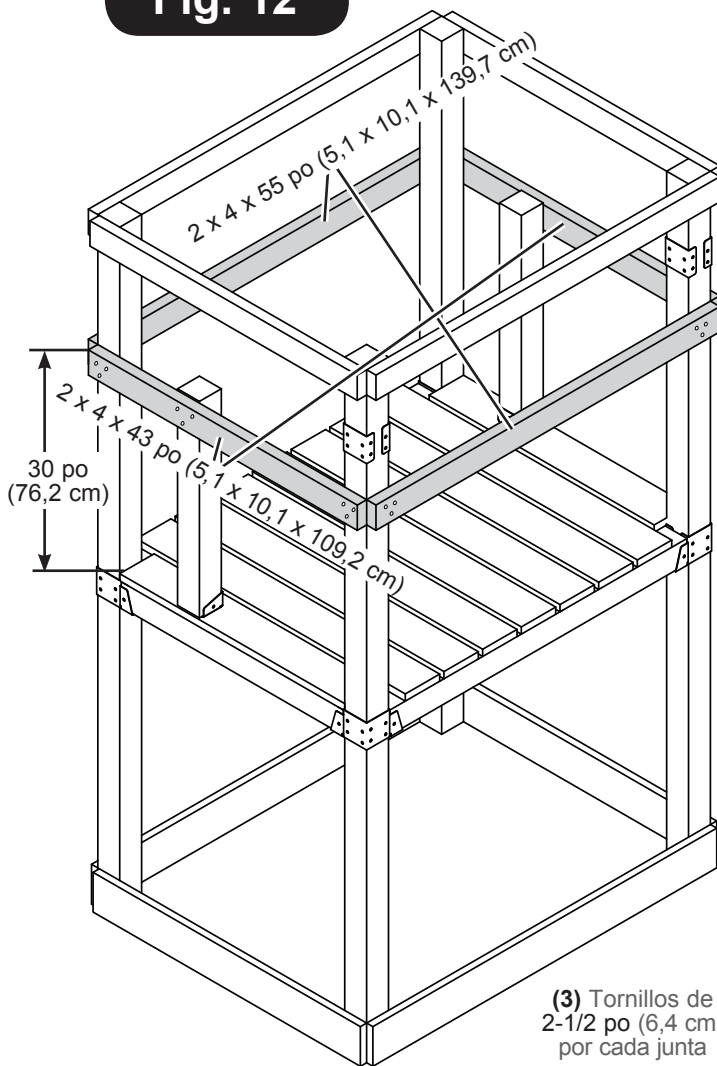


Fig. 12



E. Instalación de las tablas superiores de las barandas

1. Instale las tablas superiores de las barandas, de 2 x 4 po (5,1 x 10,2 cm), a 30 po (76,2 cm) de la plataforma, como se muestra en la (Fig. 12).

Nota: tome la medida desde la parte superior de la tabla de 5/4 po (3,2 cm) hasta la parte superior de la tabla de 2 x 4 po (5,1 x 10,2 cm) de la baranda.

E. Installez les planches de la rampe supérieure

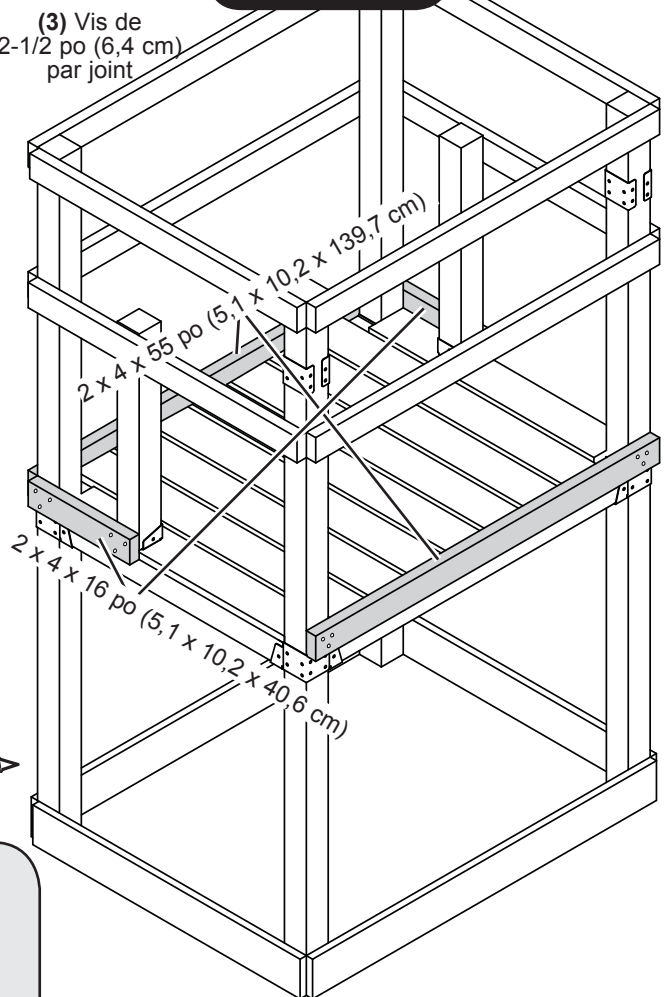
1. Installez les planches de 2 x 4 po (5,1 x 10,2 cm) de la rampe inférieure tel qu'illustré à la (Fig. 12). 30 po (76,2 cm) au-dessus de la plateforme tel qu'illustré à la (Fig. 12).

Remarque : la mesure est prise à partir du dessus de la planche de 5/4 po (32 mm) jusqu'au dessus de la planche de la rampe de 2 x 4 po (5,1 cm x 10,2 cm).

(3) Tornillos de 2-1/2 po (6,4 cm) por cada junta

(3) Vis de 2-1/2 po (6,4 cm) par joint

Fig. 13



(3) Tornillos de 2-1/2 po (6,4 cm) por cada junta

(3) Vis de 2-1/2 po (6,4 cm) par joint

Tornillo de 2 1/2 po (6,4 cm)
Vis de 2-1/2 po (6,4 cm)



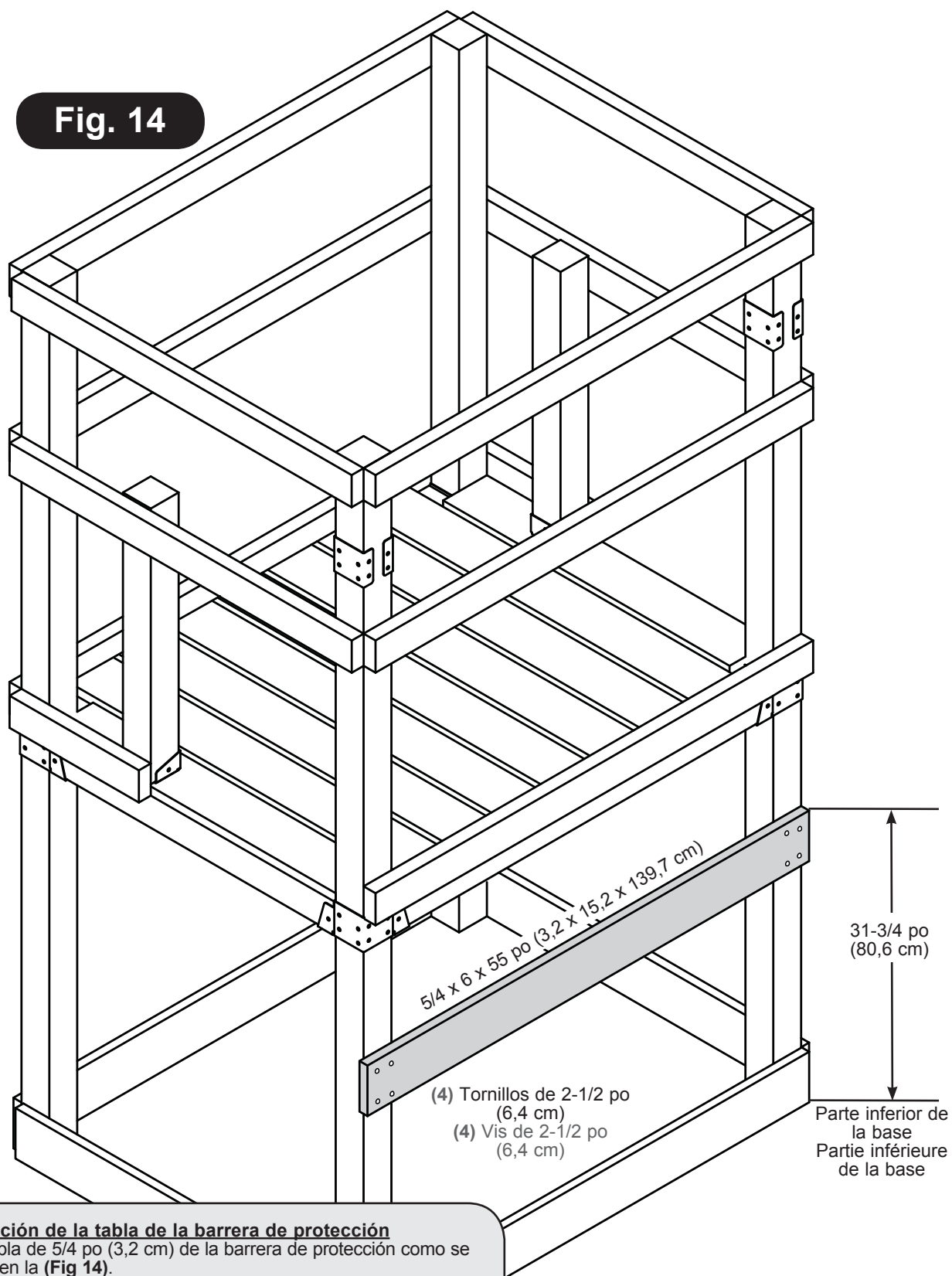
F. Instalación de las tablas inferiores de las barandas

1. Instale las tablas inferiores de las barandas, de 2 x 4 po (5,1 x 10,2 cm), como se muestra en la (Fig. 13). Nivélelas con la parte superior de los soportes de 4 x 4 po (10,2 x 10,2 cm) de la plataforma.

F. Installez les planches de la rampe inférieure

1. Installez les planches de 2 x 4 po (5,1 x 10,2 cm) de la rampe tel qu'illustré à la (Fig. 13). Installez à égalité avec le côté des supports de plateforme de 4 x 4 po (10,2 x 10,2 cm).

Fig. 14



G. Instalación de la tabla de la barrera de protección

1. Fije la tabla de 5/4 po (3,2 cm) de la barrera de protección como se muestra en la (Fig 14).

G. Installez la planche de la barrière de protection

1. Fixez la planche de la barrière de protection de 5/4 po (3,2 cm) tel qu'illustré à la (Fig. 14).



Tornillo de 2-1/2 po (6,4 cm)
Vis de 2-1/2 po (6,4 cm)

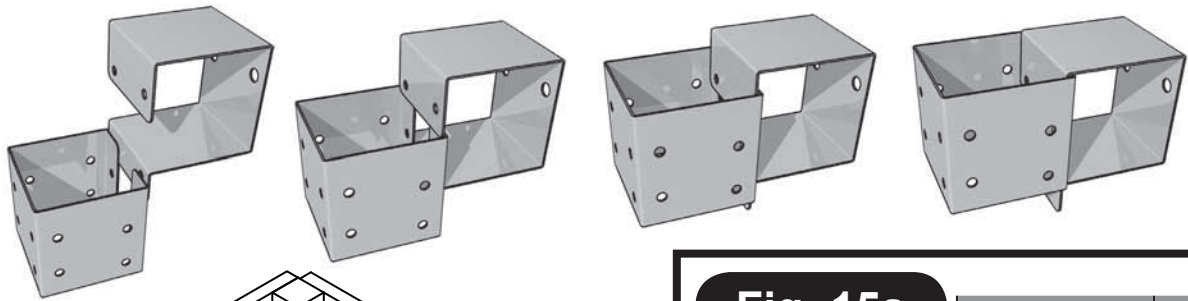


Fig. 15

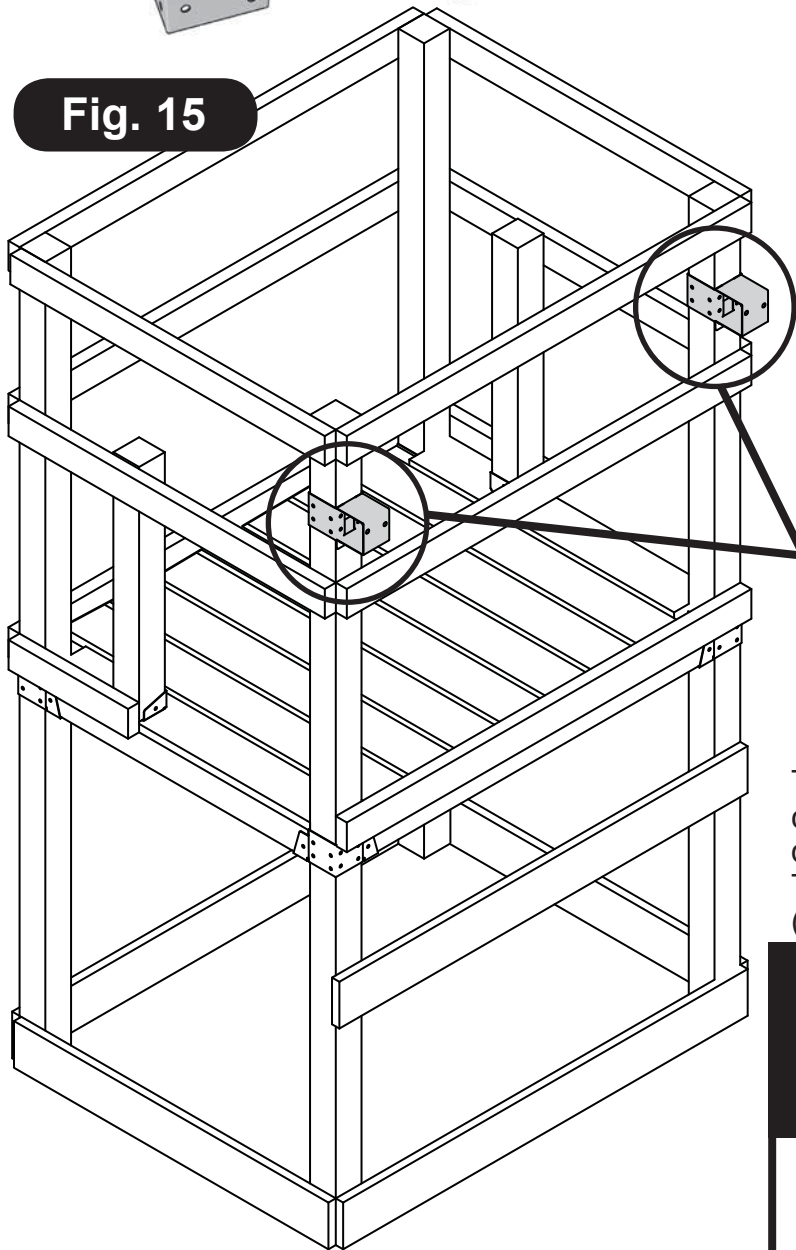
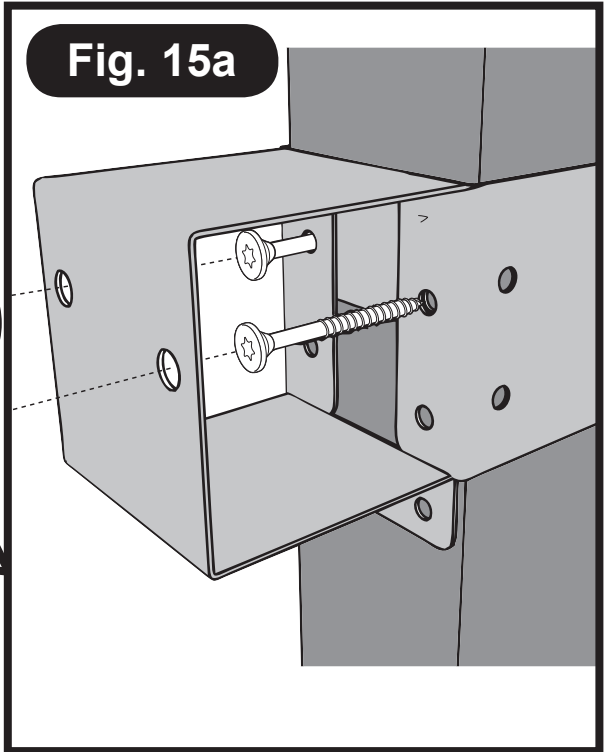


Fig. 15a



Tornillo de
compresión
de 2 po (5,1 cm)
Tire-fond de 2 po
(5,1 cm)

x 2



Consejo: flexione los soportes para facilitar la
instalación de los 4 x 4 po (10,2 x 10,2 cm)

Conseil : utilisez les supports flexibles pour
faciliter l'installation des poutres de 4 x 4 po
(10,1 x 10,1 cm)

H. Instalación de los soportes del sostén del accesorio

1. Encaje los soportes por encaje en los soportes envolventes
como se muestra en las (Fig. 15), (Fig. 15a) y (Fig. 16).

H. Installez les supports de l'accessoire

1. Fixez les supports du connecteur Shelf-Loc sur le connecteur
Wrap-Loc tel qu'illustré à la (Fig. 15), (Fig. 15a), (Fig. 16).

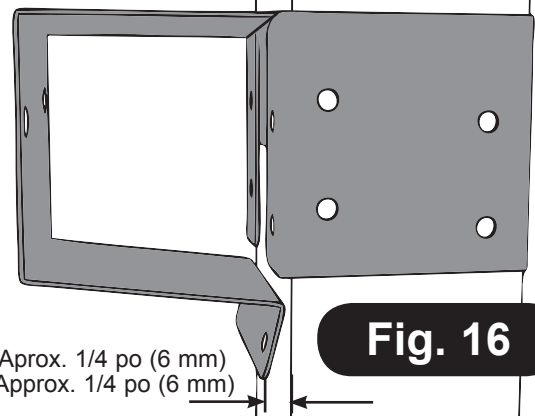


Fig. 16

Aprox. 1/4 po (6 mm)
Approx. 1/4 po (6 mm)

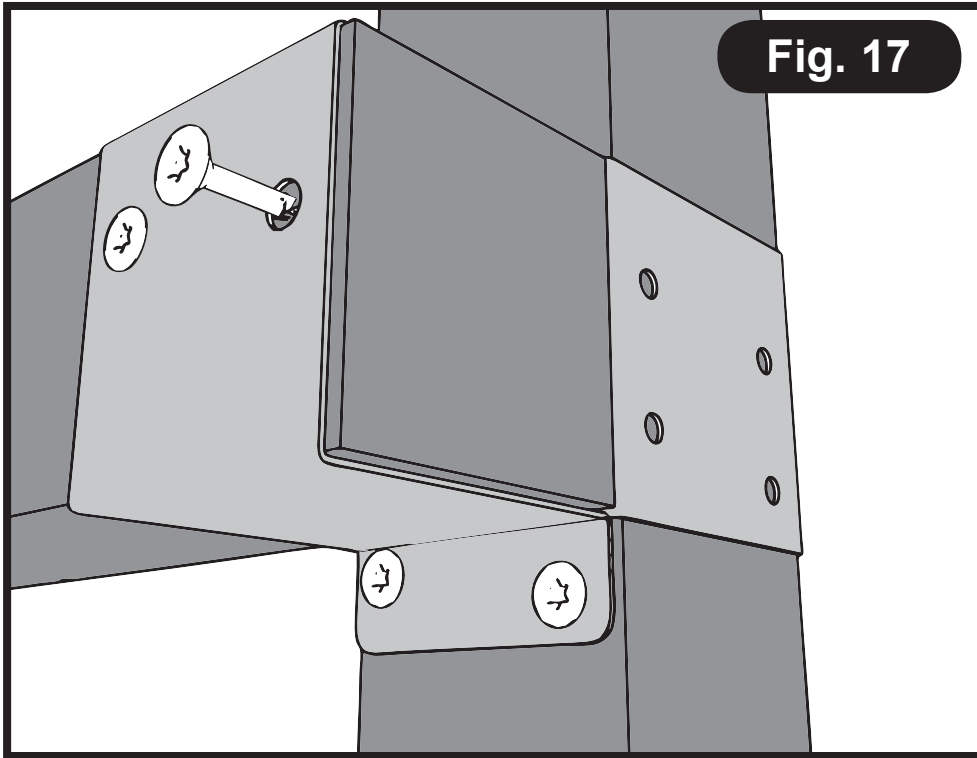
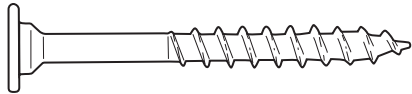


Fig. 17



Tornillo de compresión
de 2 po (5,1 cm) **x 4**
Tire-fond de 2 po (5,1 cm)

**I. Instalación de la barra de sostén del
accesorio de 4 x 4 po (10,2 x 10,2 cm)**

1. Inserte la barra de sostén de 4 x 4 po (10,2 x 10,2 cm) en los soportes, como se muestra en la (Fig. 17).
2. Fije los soportes (Fig. 17a).

**I. Installez la poutre de 4 po x 4 po (10,2 x
10,2 cm) des accessoires**

1. Installez les 4 x 4 po (10,2 x 10,2 cm) dans les connecteurs, comme illustré dans la (Fig. 17).
2. Fixez solidement les supports (Fig. 17a).

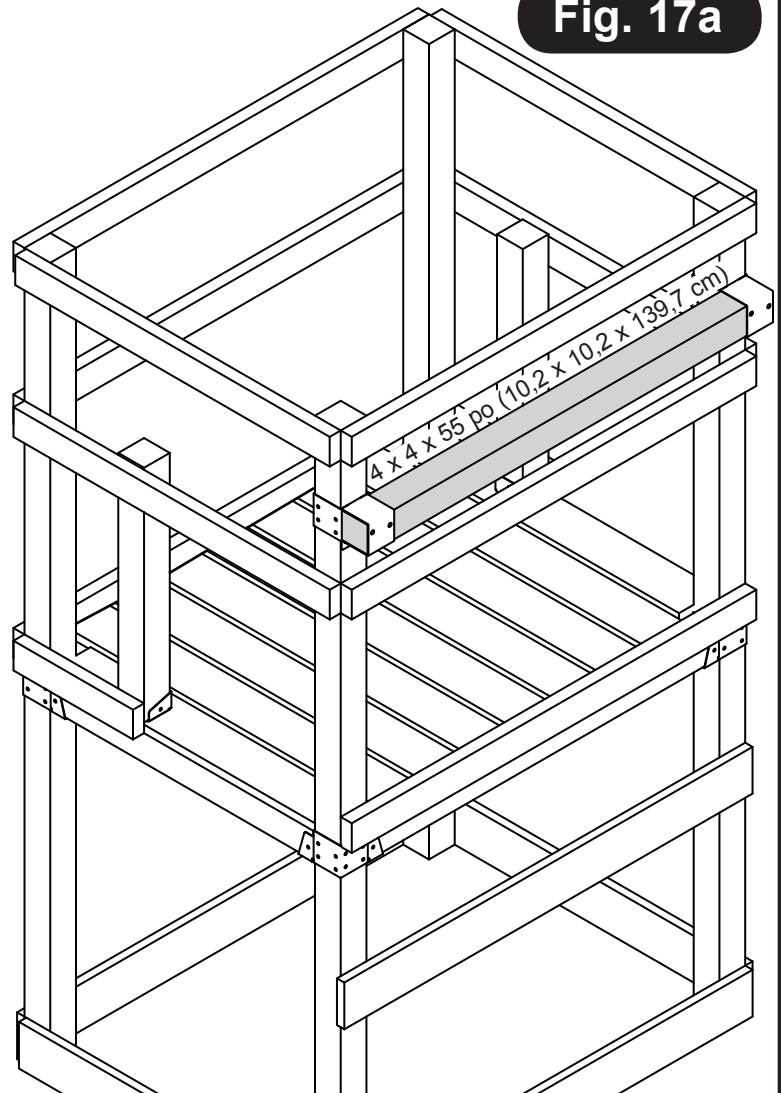


Fig. 17a

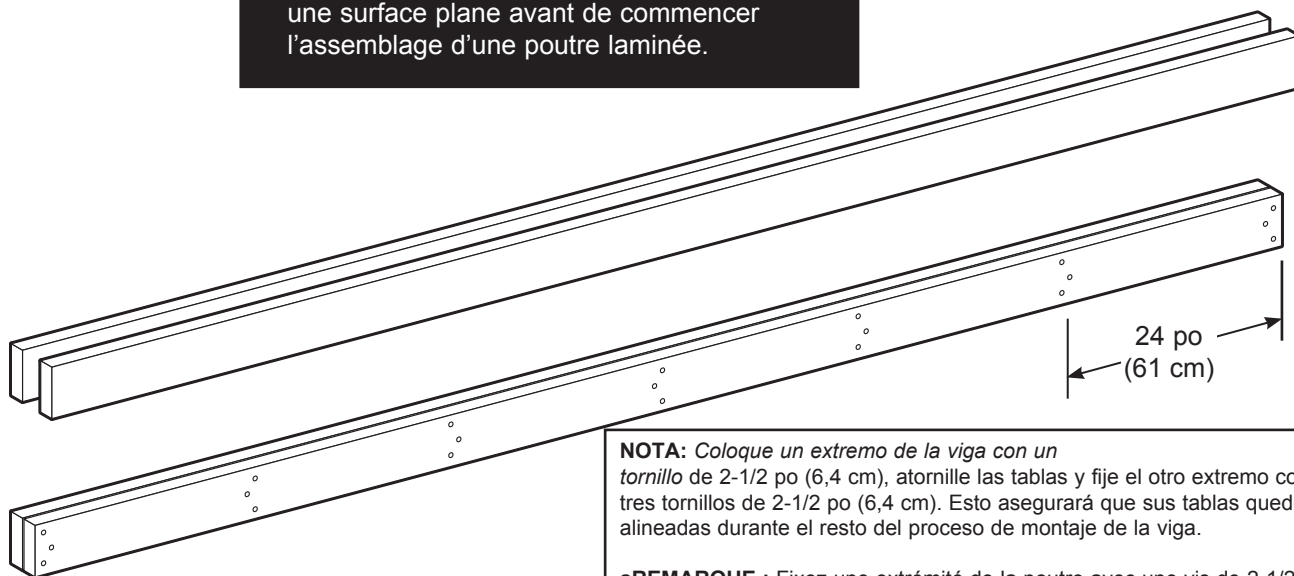
Viga laminada opcional

Poutre laminée facultative

Fig. 18

NOTA: disponga las tablas sobre una superficie plana antes de comenzar el montaje de la viga laminada.

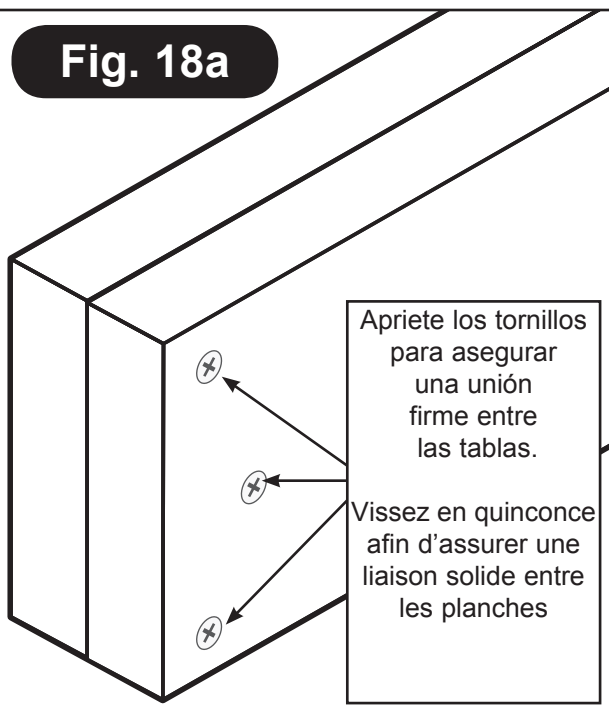
REMARQUE : Déposez les pièces de bois sur une surface plane avant de commencer l'assemblage d'une poutre laminée.



NOTA: Coloque un extremo de la viga con un tornillo de 2-1/2 po (6,4 cm), atornille las tablas y fije el otro extremo con tres tornillos de 2-1/2 po (6,4 cm). Esto asegurará que sus tablas queden alineadas durante el resto del proceso de montaje de la viga.

aREMARQUE : Fixez une extrémité de la poutre avec une vis de 2-1/2 po (6,4 cm), vissez les planches et fixer l'autre extrémité avec trois vis de 2-1/2 po (6,4 cm). Cette opération permettra d'assurer que les planches resteront alignées tout au long de l'opération d'assemblage de la poutre.

Fig. 18a



Apriete los tornillos para asegurar una unión firme entre las tablas.

Vissez en quinconce afin d'assurer une liaison solide entre les planches

P. Instrucciones para la viga laminada

1. Si no dispone de una tabla de 4 x 6 po (10,2 x 15,2 cm), puede laminar dos tablas juntas de 2 x 6 x 144 po (5,1 x 15,2 x 365,8 cm) para crear la viga.
2. Coloque las tablas sobre una superficie plana y alinee todos los bordes.
NOTA: Asegúrese de que todas las tablas sean del mismo largo. De no ser así, córtelas.
3. Desde el extremo de cada tabla, mida y coloque una marca a intervalos de 24 po (61 cm) (**Fig. 18**).
4. Ensamble la viga sujetando cada extremo con tres tornillos de 2-1/2 po (6,4 cm) (**Fig. 18a**).

Nota: Apriete los tornillos como se muestra en la (**Fig. 18a**). Para lograr una unión firme. Repita cada 24 po (61 cm) a lo largo de toda la longitud de la viga. Cuando la viga esté completa, mida, taladre los orificios y fije las agarraderas de la viga y los sujetadores de nilón del columpio.

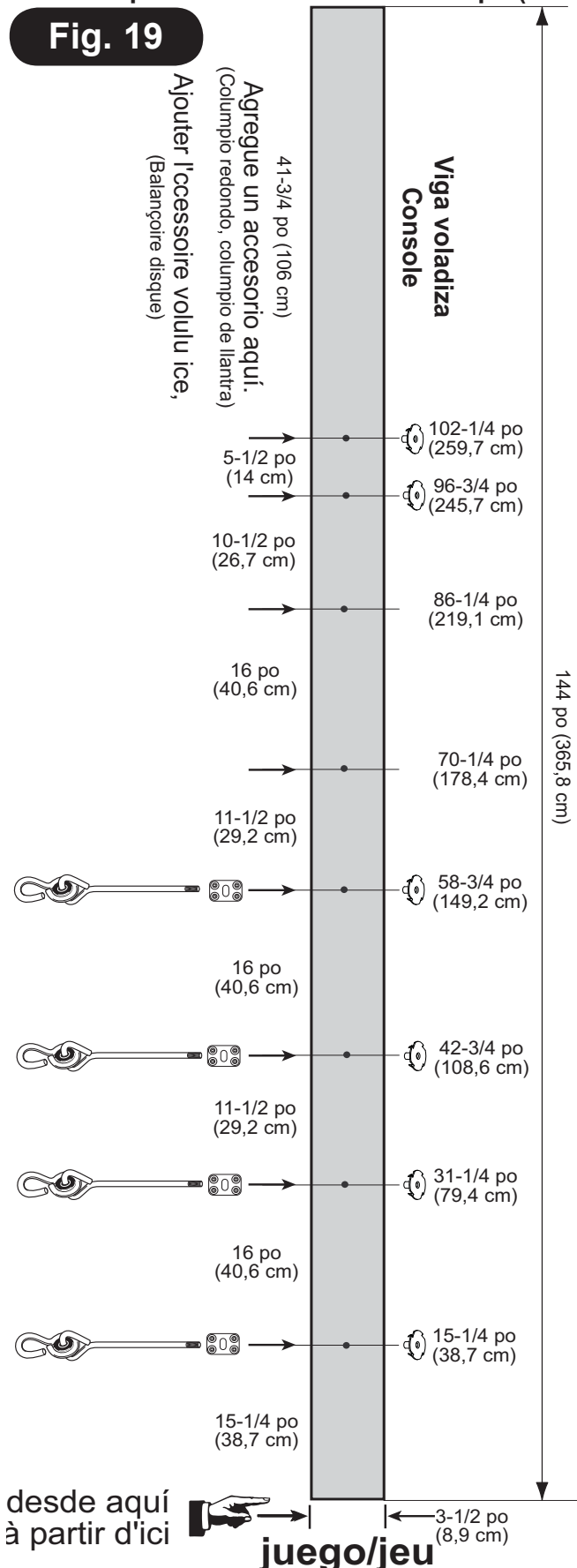
P. Instructions pour une poutre laminée

1. Si une pièce de bois de 4 x 6 po (10,2 x 15,2 cm) n'est pas disponible, vous pouvez créer une poutre laminée à partir de deux pièces de bois de 2 po x 6 po x 12 pi (5,1 x 15,2 x 365,8 cm).
2. Déposez les pièces de bois sur une surface horizontale et aligner les bords.
REMARQUE : Assurez-vous que chaque pièce de bois est de la même longueur. Si ce n'est pas le cas, coupez la ou les planches.
3. À partir de leur extrémité, mesurez et marquez chaque planche à des intervalles de 24 po (61 cm) (**Fig. 18**).
4. Assemblez la poutre en fixant ensemble chacune des extrémités en utilisant trois vis de 2-1/2 po (6,4 cm) (**Fig. 18a**).

REMARQUE : Vissez en quinconce tel qu'illustré à la (**Fig. 18a**) afin d'assurer une liaison solide entre les planches. Répétez à tous les 24 po (61 cm) sur toute la longueur du madrier. Une fois la poutre assemblée, mesurez, percez des trous et fixez les attaches-supports et les crochets de suspension de balançoires à coussinet de nylon.

Ubicación de las perforaciones de 3/8 po (1 cm)
Emplacement des trous de 3/8 po (1 cm)

Fig. 19



J. Ubicación de las perforaciones en la viga para los columpios

1. Utilice una broca de 3/8 po (1 cm) para hacer una perforación de 3/8 po (1 cm) a través de la viga en cada ubicación, como se muestra en la (Fig. 19).
2. Mediante suaves golpes de martillo, coloque las contratueras en la viga para los columpios, en las ubicaciones que se ilustran.

J. Emplacements des trous sur la poutre de balançoires

1. Utilisez un embout à perceuse de 3/8 po (1 cm) pour percer un trou de 3/8 po (1 cm) en travers de la poutre aux endroits illustrés à la (Fig. 19)
2. Introduisez un écrou en T incrusté dans la poutre de balançoire aux emplacements illustrés.

**VISTA DESDE ARRIBA
 VUE DU DESSUS**

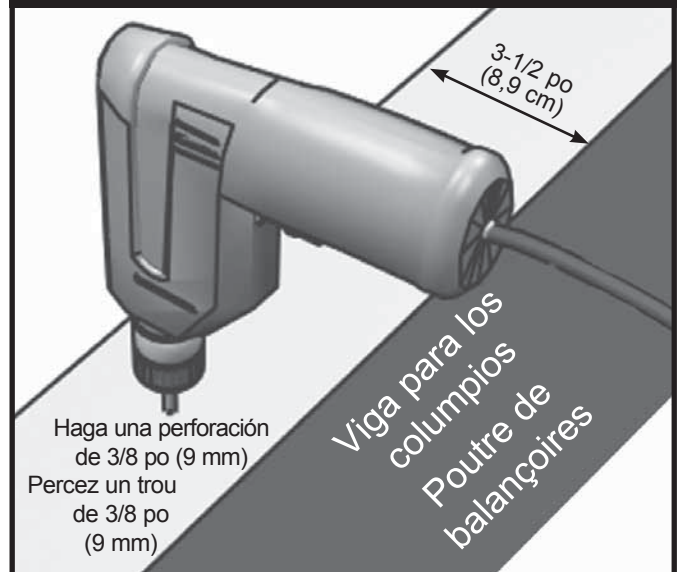
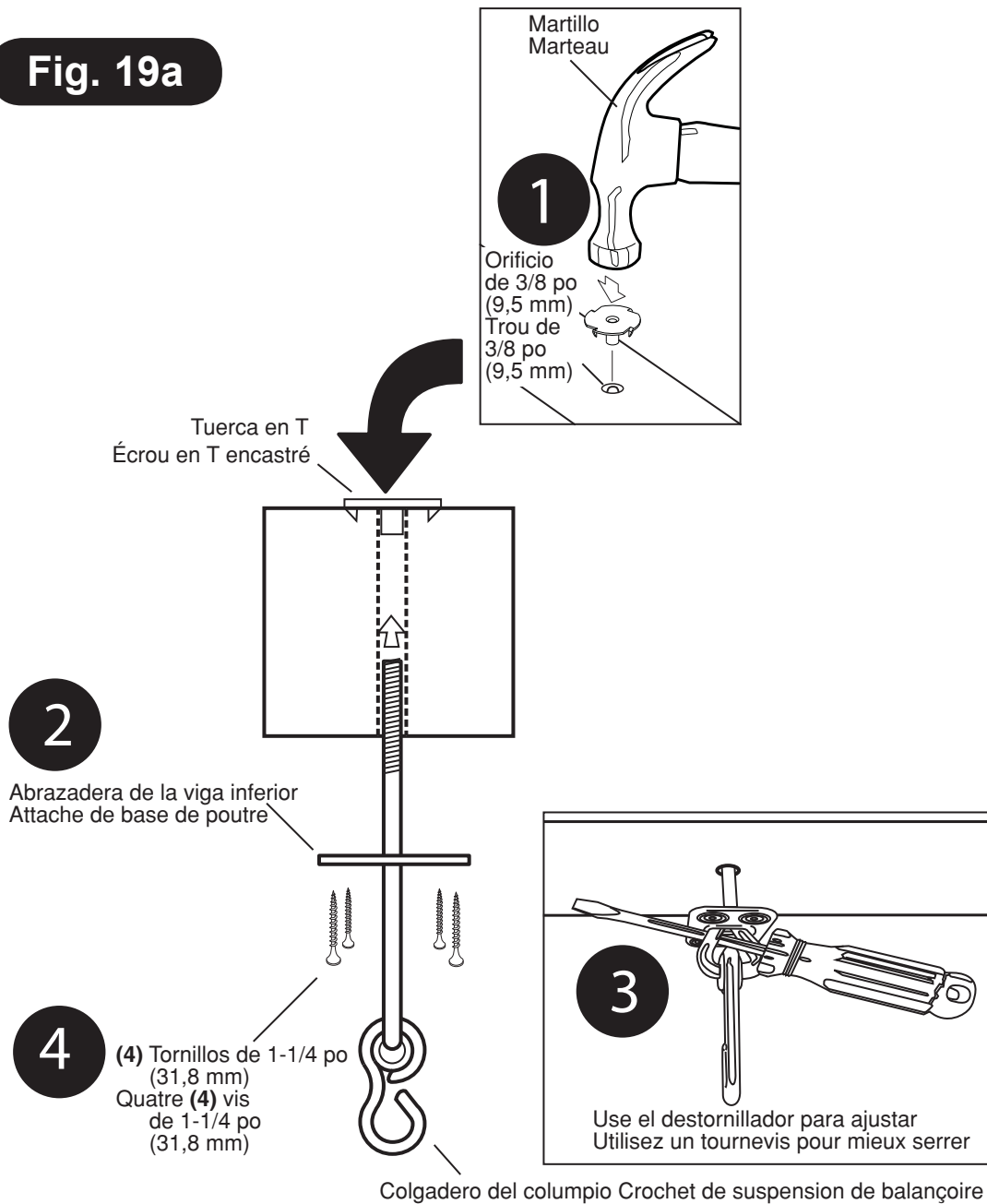


Fig. 19a

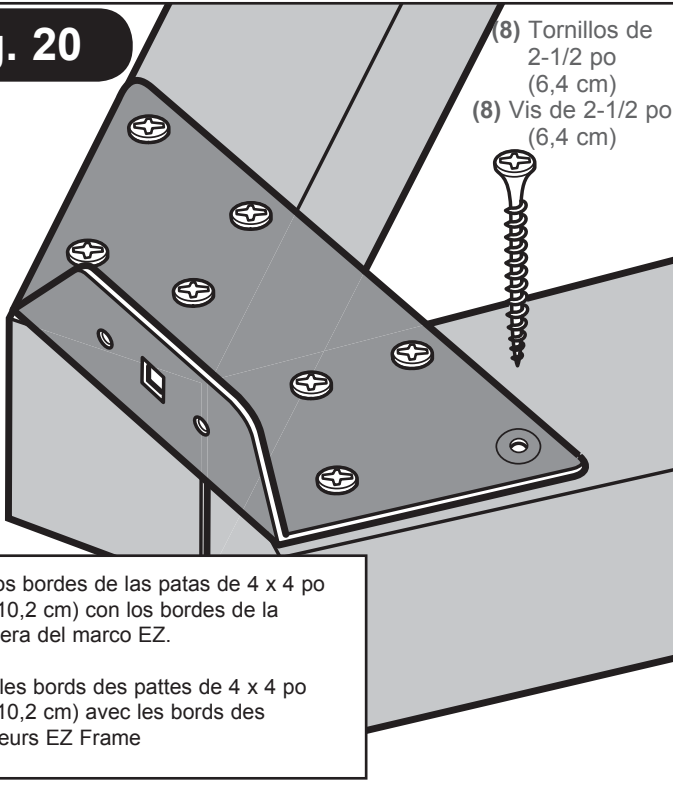


Q. Ubicación de las perforaciones de la viga del columpio

1. Inserte una tuerca en T en el agujero de 3/8 po (9,5 mm) como se muestra en la (Fig. 19a).
2. Coloque una de las agarraderas de la viga inferior sobre la suspensión del columpio como se muestra en la (Fig. 19a).
3. Inserte la suspensión del columpio en la viga y páselo por la tuerca en T hasta que quede alineado o casi alineado con la parte superior de la tuerca en T. Puede usarse un destornillador para girar la suspensión (Fig. 19a). Oriente el colgadero del columpio como se muestra en la (Fig. 19a).
4. Use (4) tornillos de 1-1/4 po (31,8 mm) para asegurar la agarradera de la viga.
5. Revise el colgadero para asegurarse de que no gire.
6. Repita esta inspección para todos los colgaderos del columpio.

Q. Emplacements des trous sur la poutre de balançoires

1. Introduisez un écrou en T encastré dans le trou de 3/8 po (9,5 mm), comme illustré (Fig. 19a).
2. Placez une attache à la base de la poutre au-dessus du crochet de suspension, comme illustré (Fig. 19a).
3. Insérez le crochet de suspension dans la poutre et vissez-le dans l'écrou en T encastré jusqu'à ce qu'il soit aligné ou presque avec le dessus de l'écrou. Un tournevis peut être utilisé pour tourner le crochet (Fig. 19a). Orientez le crochet de suspension, comme illustré (Fig. 19a).
4. Utilisez quatre (4) vis de 1-1/4 po (31,8 mm) fixer solidement l'attache de la poutre.
5. Assurez-vous que le crochet ne tourne pas.
6. Répétez ces étapes pour tous les crochets de suspension.

Fig. 20**J. Montaje de la estructura en A**

1. Disponga las piezas de 4 x 4 po (10,2 x 10,2 cm) y la pieza de 5/4 x 6 po (3,2 x 15,2 cm) como se muestra en la (Fig. 20) y la (Fig. 21).
2. Alinee la abrazadera de marco EZ con la parte frontal de las piezas de 4 x 4 po (10,2 x 10,2 cm).
3. Asegure las abrazaderas del marco EZ con (8) tornillos de 2-1/2 po (6,4 cm) a las piezas de 4 x 4 po (10,2 x 10,2 cm) y asegúrese de que queden niveladas entre sí.
4. Asegure la pieza de 5/4 x 6 po (3,2 x 15,2 cm) a las piezas de 4 x 4 po (10,2 x 10,2 cm) como se muestra en la (Fig. 21).
5. Dé vuelta y agregue una segunda abrazadera. Repita los pasos 2 a 3.

J. Assemblage du cadre en « A »

1. Disposez les membrures de 4 x 4 po (10,2 x 10,2 cm) et les 5/4 x 6 po (3,2 x 15,2 cm) comme illustré aux (Fig. 20) et (Fig. 21).
2. Alignez le connecteur EZ Frame avec la face des membrures de 4 x 4 po (10,2 x 10,2 cm).
3. Fixez solidement le connecteur EZ Frame à l'aide de (8) vis de 2-1/2 po (6,4 cm) aux membrures de 4 x 4 po (10,2 x 10,2 cm) en vous assurant que ceux-ci sont au niveau les uns par rapport aux autres.
4. Fixez les membrures de 5/4 x 6 po (3,2 x 15,2 cm) aux 4 x 4 po (10,2 x 10,2 cm) comme illustré à la (Fig. 21).
5. Retournez l'assemblage et ajoutez un deuxième support. Répétez les étapes de 2 à 3.

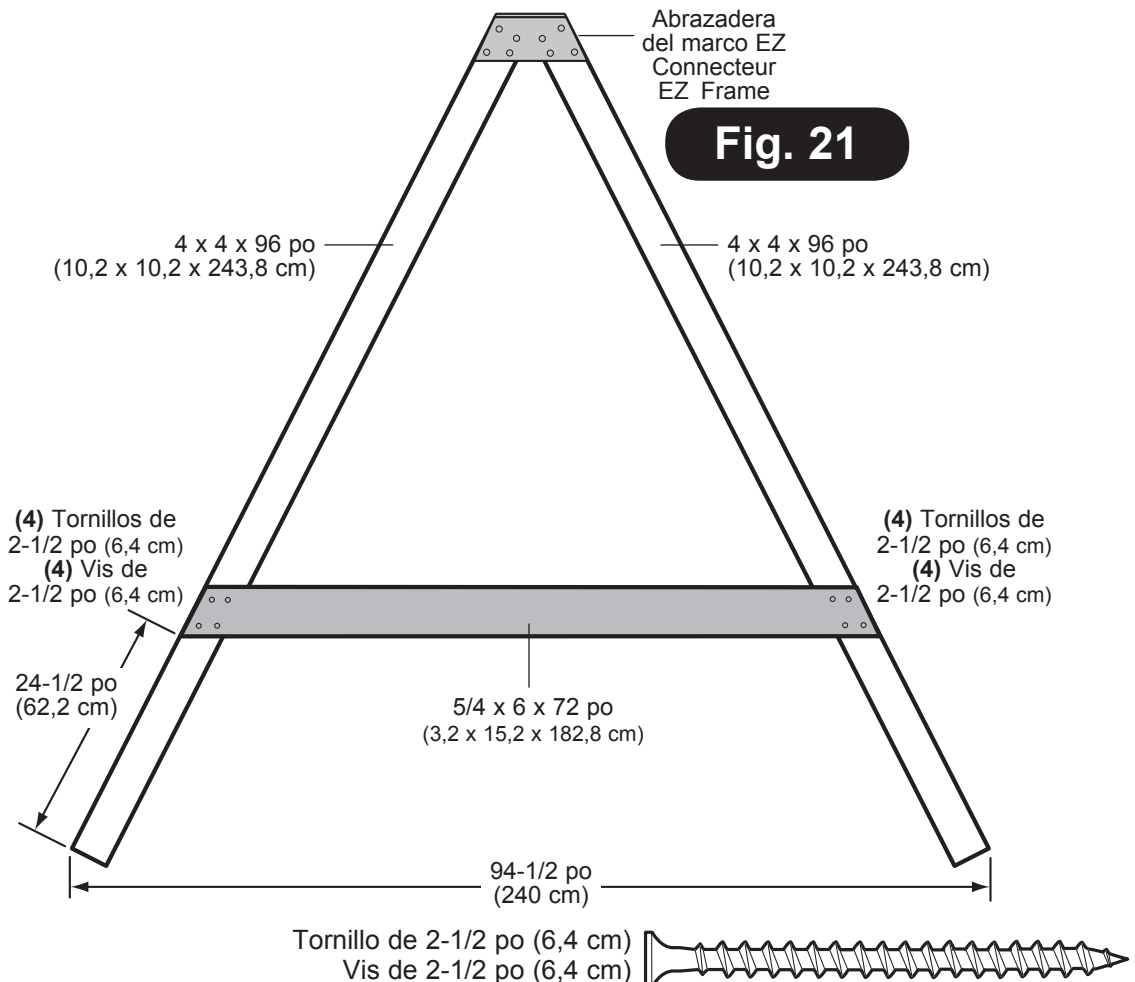
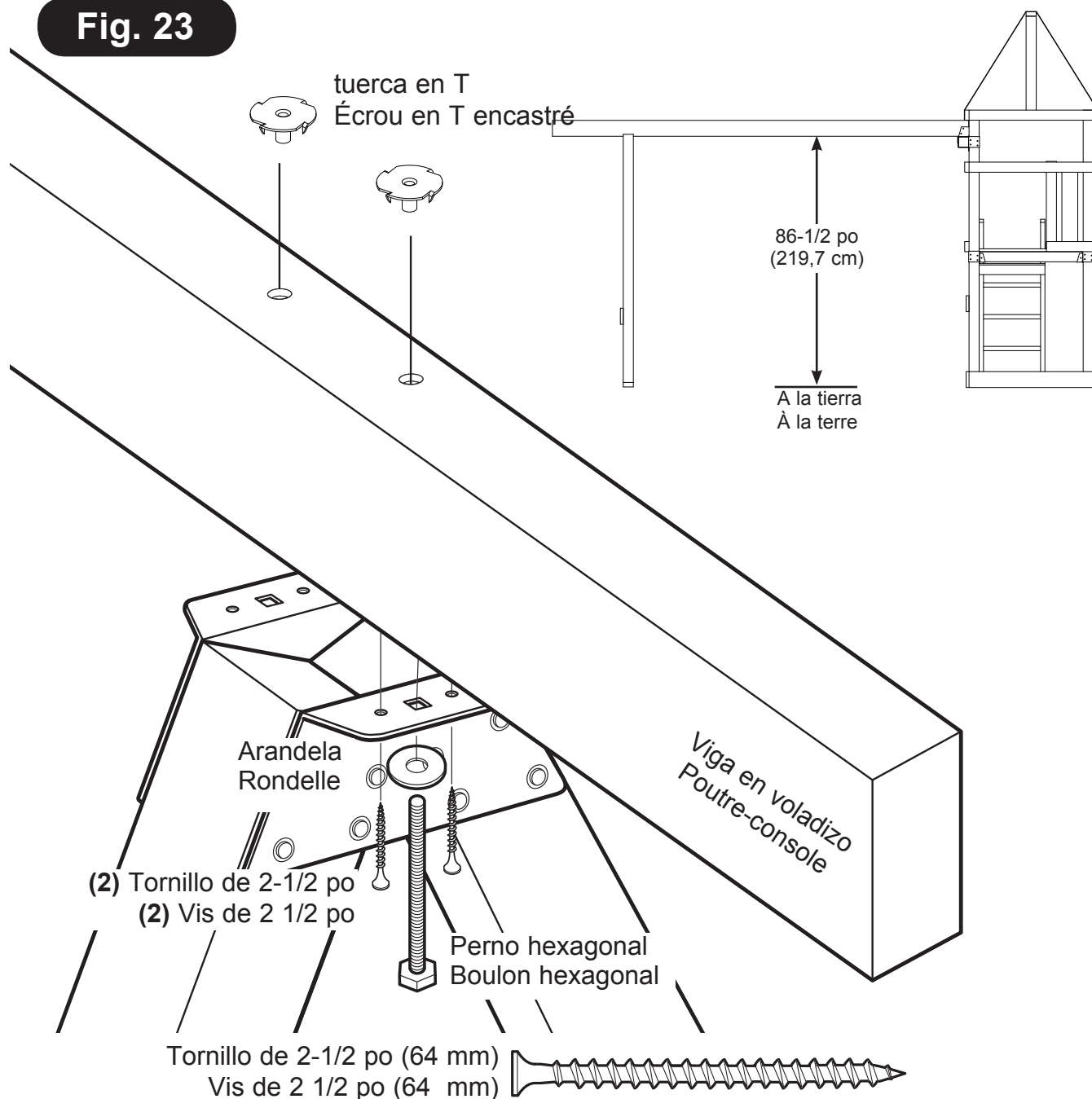
Fig. 21

Fig. 23



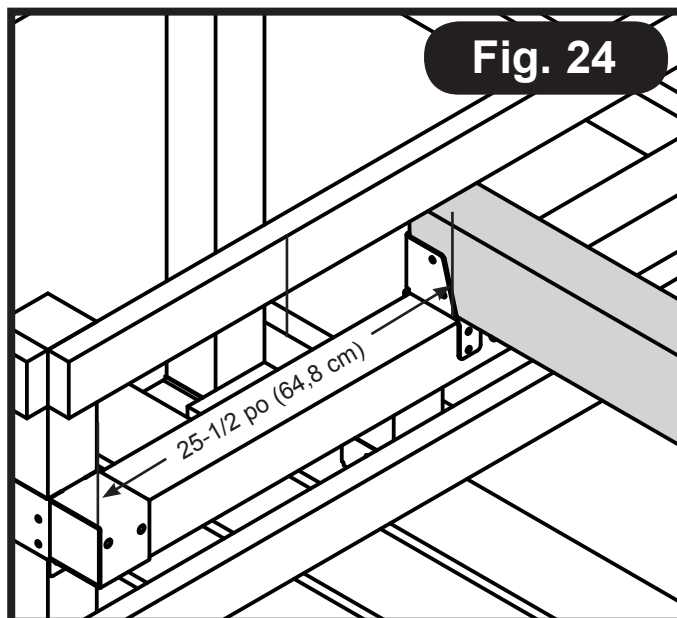
J. Montaje del marco A cont.

1. Inserte la tuerca en T en el agujero de 3/8 po (9,5 mm) como se muestra en la (Fig. 23).
Nota: si se está utilizando una viga laminada, asegúrese de que el diente de la tuerca en T no caiga entre las uniones de la 2 x 6 po (5.1 x 15.3 cm).
2. Coloque la viga del marco en A a la viga del columpio usando (2) pernos hexagonales de 5-1/2 po (14 cm) y 4 tornillos.
3. Apriete el perno hexagonal hasta que quede a ras de la parte superior de la tuerca en T. Repita lo mismo con la otra abrazadera.

J. Assemblage du cadre A (suite)

1. Insérer doucement l'écrou à pointe à enfoncer dans le trou de 3/8 po (9,5 mm) tel qu'illustré à la (Fig. 23).
Remarque : si on utilise une poutre à balançoires laminée, s'assurer que les dents de l'écrou à pointe à enfoncer ne se retrouvent entre les joints des 2 x 6 po (5.1 x 15.3 cm).
2. Fixer la poutre du cadre en « A » à la poutre à balançoires à l'aide de (2) boulons à tête hexagonale de 5-1/2 po (14 cm) et 4 vis.
3. Serrer les boulons à tête hexagonale pour qu'ils soient au niveau avec le haut des écrous à pointe à enfoncer. Répéter ces étapes pour chaque support.

Fig. 24



T. Ensamble del marco A cont.

1. Ubique los soportes divididos en las tablas de 4 x 4 x 55 po (10,2 x 10,2 x 139,7 cm) (**Fig. 24**).
2. Con ayuda de otros, levante el marco en A y el ensamble de la viga del columpio y céntrelos en la unidad como se muestra en la (**Fig. 24**).
3. Asegúrelos como se muestra en la (**Fig. 24a**).

T. ASSEMBLAGE DU CADRE A (suite)

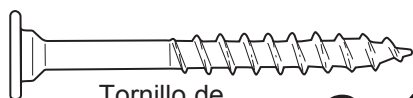
1. Poser les supports fendus sur les poutres de 4 x 4 x 55 po (10,2 x 10,2 x 139,7 cm) (**Fig. 24**).
2. Avec l'aide d'autres personnes, soulever le Cadre « A » et l'assemblage de la poutre à balançoires et centrer sur l'unité tel qu'illustré à la (**Fig. 24**).
3. Fixer solidement tel qu'illustré à la (**Fig. 24a**).

Fig. 24a

Viga del columpio
Poutre de balançoires

Vista desde la
plataforma

Aperçu de la
terrasse



Tornillo de
compresión de
2 po (5,1 cm)

x 8 (cada abrazadera)

Vis à bois à tête
carrée de 2 po
(5,1 cm)

x 8 (chaque support)



Utilice tornillos de 2-1/2 po (6,4 cm) para fijar las tablas de 5/4 x 6 po (3,2 x 15,2 cm) a la pieza de 4 x 4 po (10,2 x 10,2 cm)

Utilisez les vis de 2-1/2 po (65 mm) pour fixer solidement les 5/4 x 6 po (32 mm x 152 mm) aux 4 x 4 po (10,2 x 10,2 cm)

Fig. 25

(2) Tornillos de 2 po (5,1 cm)
2 por cada junta, arriba y abajo
(2) Vis de 2 po (5,1 cm)
(2 par joint, haut, bas)

L. Tablas de la barrera

1. Instale las tablas de 5/4 x 48 po (3,2 x 121,9 cm) de la barrera a espacios regulares en la abertura.

L. Planchas garde-fou

1. Installez les planches de barrière de 5/4 x 48 po (3,2 x 121,9 cm) également espacées dans l'ouverture.

5/4 x 6 x 30 po
(3,2 x 15,2 x 76,2 cm)

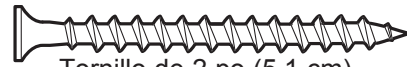
(6) 5/4 x 6 x 48 po
(3,2 x 15,2 x 121,9 cm)

(2) Tornillos de 2 po (5,1 cm)
2 por cada junta, arriba y abajo

(2) Vis de 2 po (5,1 cm)
(2 par joint, haut, bas)

(2) Tornillos de 2 po (5,1 cm)
2 por cada junta, arriba y abajo

(2) Vis de 2 po (5,1 cm)
(2 par joint, haut, bas)



Tornillo de 2 po (5,1 cm)

Vis de 2 po (5,1 cm)



Tornillo de 2-1/2 po (6,4 cm)

Vis de 2-1/2 po (6,4 cm)

Fig. 26

L. Tablas de la barrera (cont.)

2. Instale las tablas de 5/4 x 30 po (3,2 x 76,2 cm) de la barrera a espacios regulares en la abertura.

L. Planchas de barrière (suite)

2. Installez les planches de barrière de 5/4 x 30 po (3,2 x 76,2 cm) également espacées dans l'ouverture.

(2) Tornillos de 2 po (5,1 cm)
2 por cada junta, arriba y abajo

(2) Vis de 2 po (5,1 cm)
(2 par joint, haut, bas)

(6) 5/4 x 6 x 30 po
(3,2 x 15,2 x 76,2 cm)

Tornillo de 2 po (5,1 cm)
Vis de 2 po (5,1 cm)



V. Tablas de la barrera

1. Instale dos soportes de techo de 2 x 4 po (5,1 x 10,2 cm) como se muestra en la (Fig. 27)

V. Planchas garde-fous

1. Instalar le montant de toit de 2 x 4 po (5,1 x 10,2 cm) tel qu'illustré à la (Fig. 27).

Fig. 27

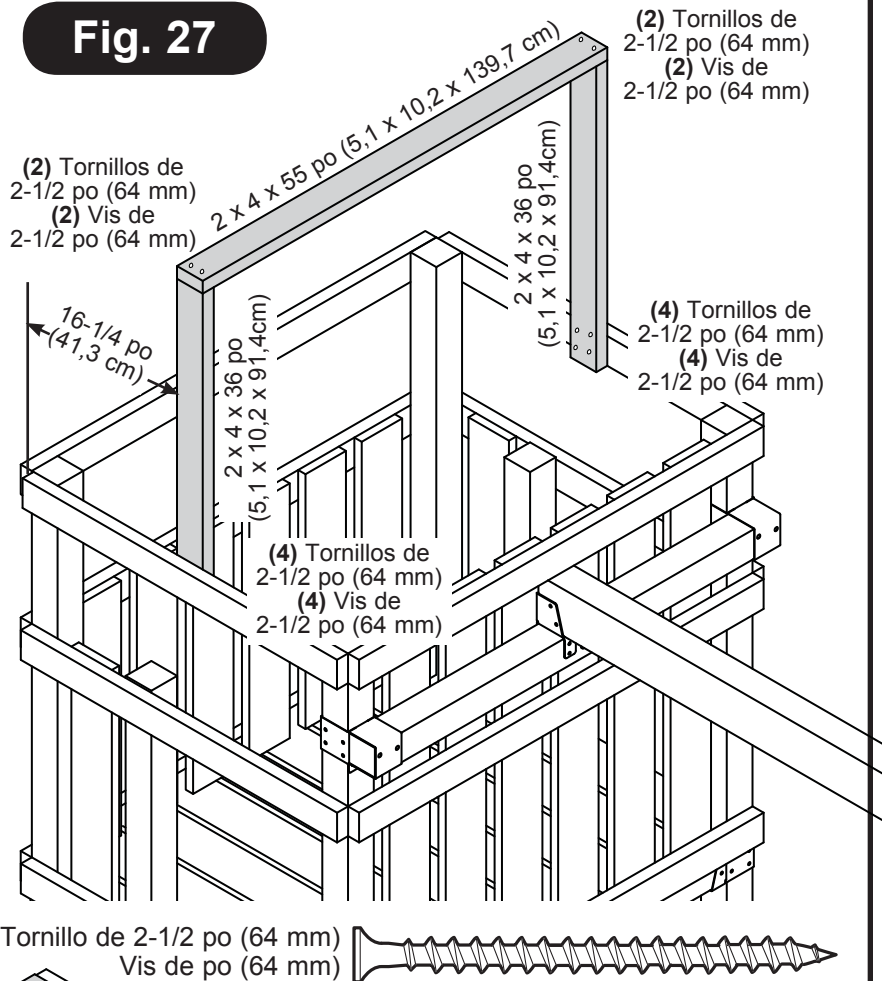


Fig. 28

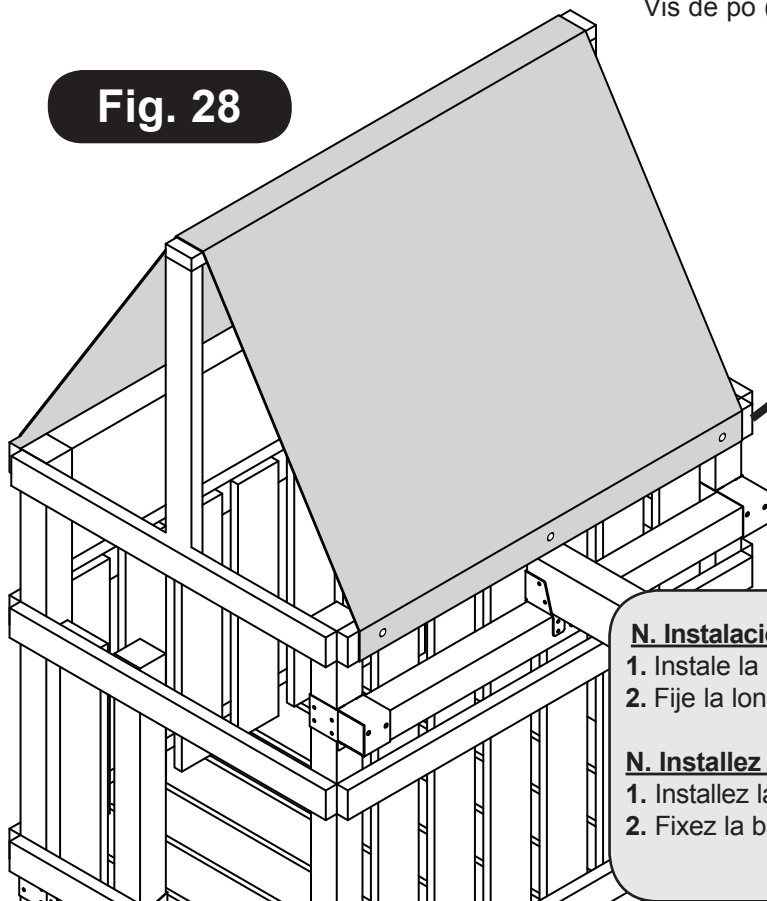
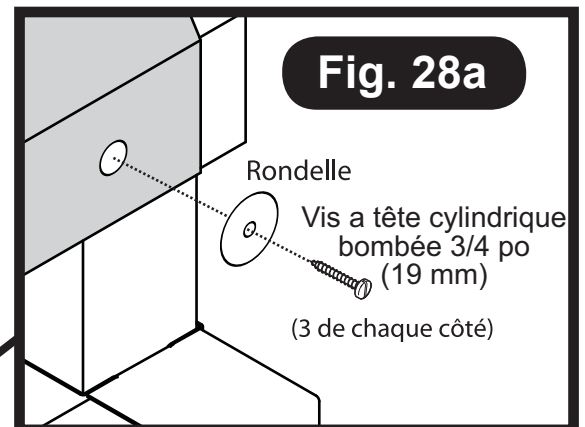


Fig. 28a



Tornillos con cabeza redonda aplanada de 3/4 po (19 mm)
Vis à tête cylindrique bombée de 3/4 po (19 mm)

N. Instalación de la lona

1. Instale la lona como se muestra en la (Fig. 28a).
2. Fije la lona en seis lugares.

N. Installez la bâche.

1. Installez la bâche tel qu'illustré à la (Fig. 28a).
2. Fixez la bâche en six endroits.

Opción n.º 1 de la abertura frontal
 (para ver la opción n.º 2 de la abertura frontal de la pared de rocas para trepar, consulte la página 39).

Option avec ouverture à l'avant no 1
 (voir la page 39 pour la paroi d'escalade, option no 2 avec ouverture à l'avant)

Fig. 29

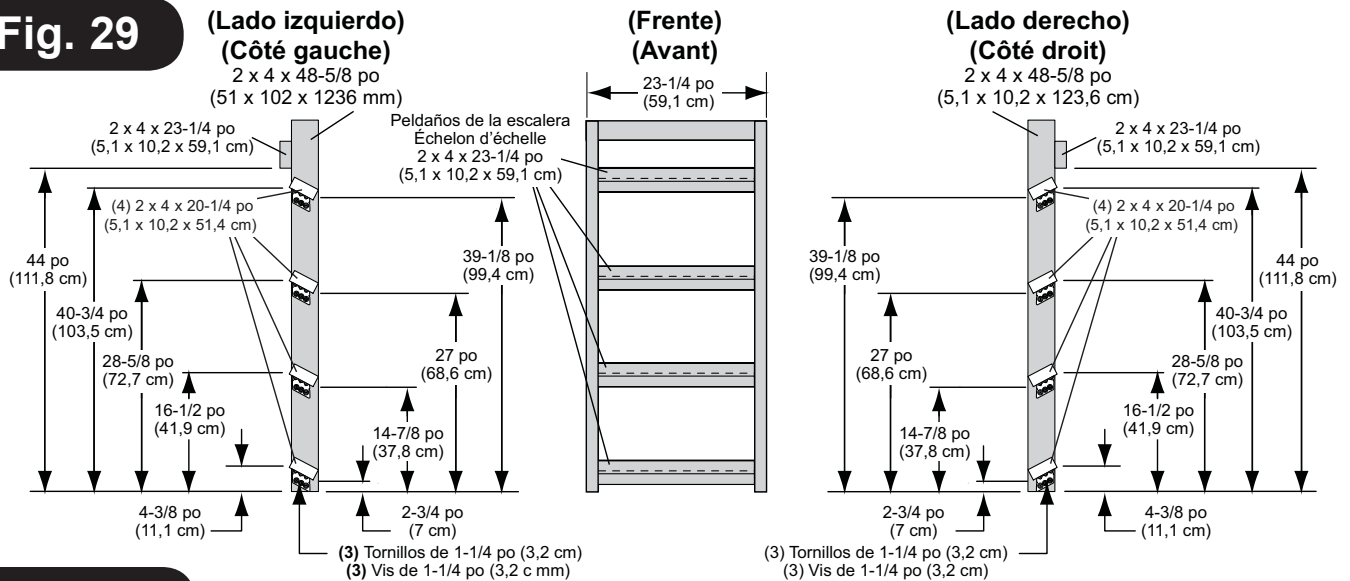
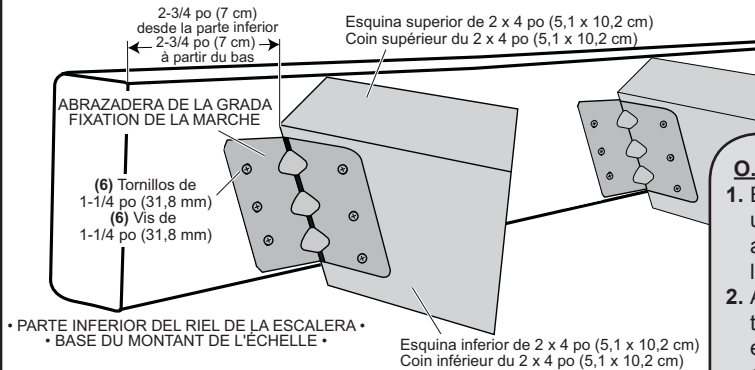


Fig. 30

EJEMPLO DE INSTALACIÓN DE LOS PELDAÑOS DE LA ESCALERA
EXEMPLE D'INSTALLATION DES BARREAUX DE L'ÉCHELLE



Tornillo de 1-1/4 po (3,2 cm)
 Vis de 1-1/4 po (3,2 cm)

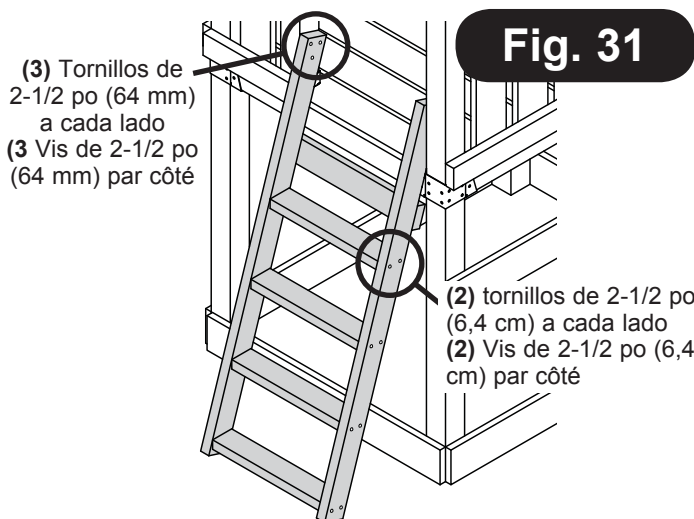


Fig. 31



Tornillo de 2-1/2 po (6,4 cm)
 Vis de 2-1/2 po (6,4 cm)

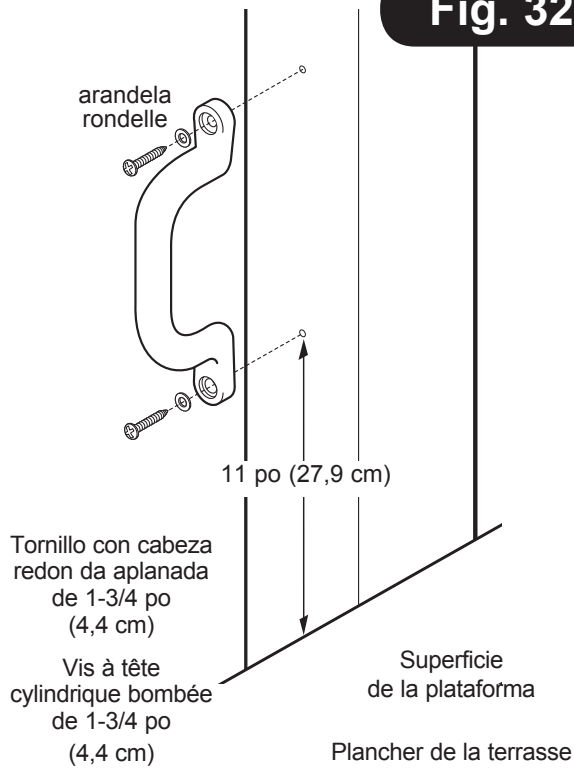
O. Ensamble de la escalera

1. En las barandas de la escalera, marque con un lápiz todas las ubicaciones de las medidas para cada lado. Trace una línea en ángulo que conecte los puntos de las mediciones para cada uno de los peldaños de la escalera (**Fig. 29**).
2. Alinee la parte superior de los soportes para peldaño con la línea trazada y atorníllelos en su lugar. Instale un peldaño de la escalera en cada una de las cuatro ubicaciones (**Fig. 29 y 30**). Repita la operación en la otra baranda de la escalera.
3. Una la pieza de 2 x 4 x 23-1/4 po (5,1 x 10,2 x 59 cm) a las barandas de la escalera, mediante (2) tornillos de 2-1/2 po (6,4 cm) por cada lado.
4. Fije la escalera a la unidad (**Fig. 31**). Nota: el peldaño superior debe estar 11 po (28 cm) por debajo de la plataforma y todos los peldaños deben estar nivelados.
5. Atomille (2) tornillos de 2-1/2 po (6,4 cm) a los extremos de cada uno de los peldaños de la escalera, a través de las barandas laterales derecha e izquierda (**Fig. 31**).

O. Assemblage de l'échelle

1. Marquez tous les emplacements sur les montants de l'échelle pour chaque côté à l'aide d'un crayon. Tracez une ligne reliant les marques pour aligner chaque barreau d'échelle (**Fig. 29**).
2. Alignez le haut du support de marche avec la ligne et vissez en place. Installez un barreau d'échelle à chacun des quatre emplacements (**Fig. 29, 30**). Répétez sur l'autre rampe de l'échelle.
3. Fixez les planches de 2 x 4 x 23-1/4 po (5,1 x 10,2 x 59 cm) (2) Vis de 2-1/2 po (6,4 cm) par côté.
4. Fixez solidement l'échelle à l'unité (**Fig. 31**). Remarque : la marche du haut doit être à 11 po (27,9 cm) sous la plateforme et toutes les marches doivent être de niveau.
5. Vissez (2) vis de 2-1/2 po (6,4 cm) dans chaque extrémité des barreaux d'échelle à travers les montants de gauche et de droite (**Fig. 31**).

Fig. 32



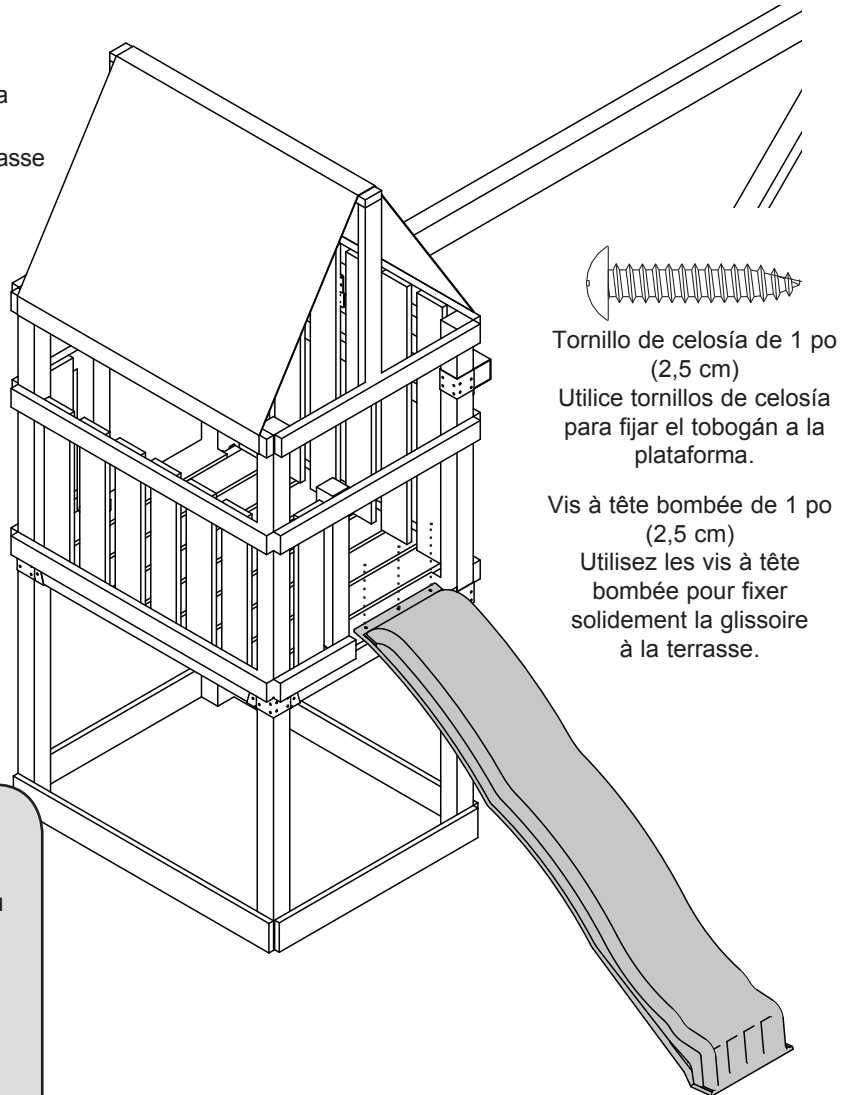
V. Manijas de seguridad.

1. Monte la manija de seguridad en la abertura del trepador, aproximadamente a 11 po (27,9 cm) de distancia sobre la superficie de la plataforma (**Fig. 32**).

V. Poignées de sécurité.

1. Installez les poignées de sécurité dans l'ouverture de la paroi d'escalade à approximativement 11 po (27,9 cm) au dessus de la surface de la plateforme (**Fig. 32**).

Fig. 33



Q. Instalación del tobogán

1. Instale como se muestra en la (**Fig. 33**).

Importante:

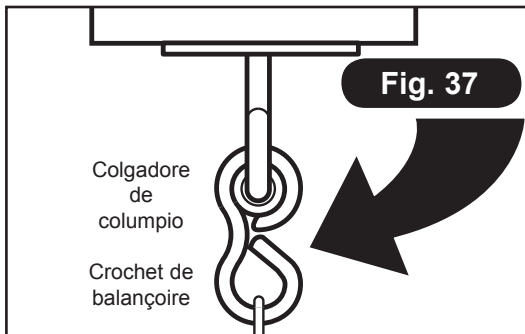
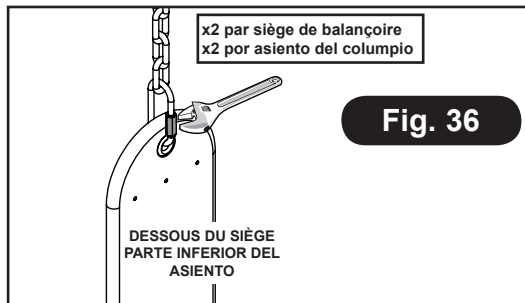
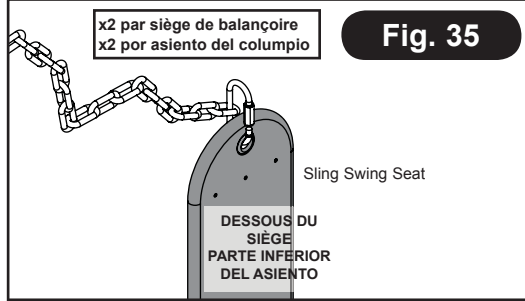
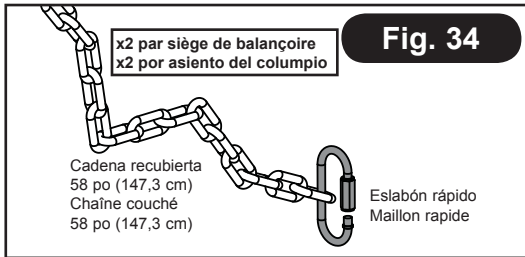
No utilice material traído de una ferretería para fijar el tobogán. Utilice los tornillos de celosía que vienen incluidos en el juego.

Q. Installation du toboggan

1. Installez tel qu'illustré à la (**Fig. 33**).

Important :

Veillez à ne pas utiliser les fixations fournies avec le toboggan. Utilisez les vis à tête bombée incluses dans le prêt-à-monter.



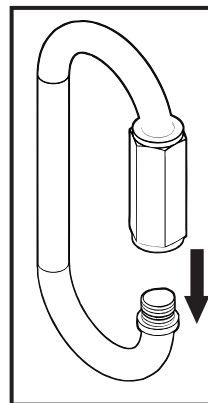
¡NUNCA cuelgue el asiento de un columpio con un eslabón parcial de cadena! Quite y deseché los eslabones parciales.
Veillez à NE JAMAIS suspendre un siège de balançoire par un maillon de chaîne partiel !
 Retirez et jetez les maillons partiels.

Instructions de montage de siège de balançoire

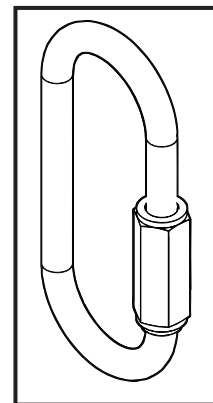
1. Prenez une longueur de chaîne et placez le dernier maillon de la chaîne dans le maillon rapide comme illustré. (Fig. 34).
2. Placez le maillon rapide dans l'oeillet du siège de balançoire comme illustré.(Fig. 35).
3. Serrez la gaine fileté du maillon rapide à l'aide d'une clé de taille convenable de façon à ce que le siège soit solidement attaché et que le maillon rapide ne puisse pas se desserrer facilement. Répétez pour la seconde chaîne, l'autre maillon rapide et oeillet du siège de balançoire. (Fig. 36).
4. Suspendez les chaînes aux supports de balançoire à douilles de nylon. Pliez le crochet à l'aide d'une pince pour fixer les chaînes aux supports de balançoire (fig. 37). Assurez-vous que tous les raccords soient bien refermés et fixés avant d'utiliser le siège de la balançoire.

Instrucciones de montaje de asiento columpio

1. Toma una porción de la cadena y coloca su eslabón del extremo a través del enganche rápido tal como se muestra. (Fig. 15).
2. Toma una porción de la cadena y coloca su eslabón del extremo a través del enganche rápido tal como se muestra. (Fig. 16).
3. Aprieta el casquillo roscado del enganche rápido con una llave de tamaño adecuado para que el asiento esté bien sujeto y el enganche rápido no se afloje fácilmente. Repite lo mismo para la segunda cadena, enganche rápido y el ojal del asiento del columpio. (Fig. 17).
4. Cuelgue las cadenas de los colgaderos del columpio con empaques de nailon. Apriete la abertura de los ganchos con alicates para asegurar las cadenas a los colgaderos del columpio (Fig. 18). Asegúrese de que todas las conexiones estén bien apretadas y ajustadas antes de usar el asiento del columpio.



Maillon rapide « Ouvert »
Eslabón rápido "abierto"



Maillon rapide « Fermé »
Eslabón rápido "cerrado"

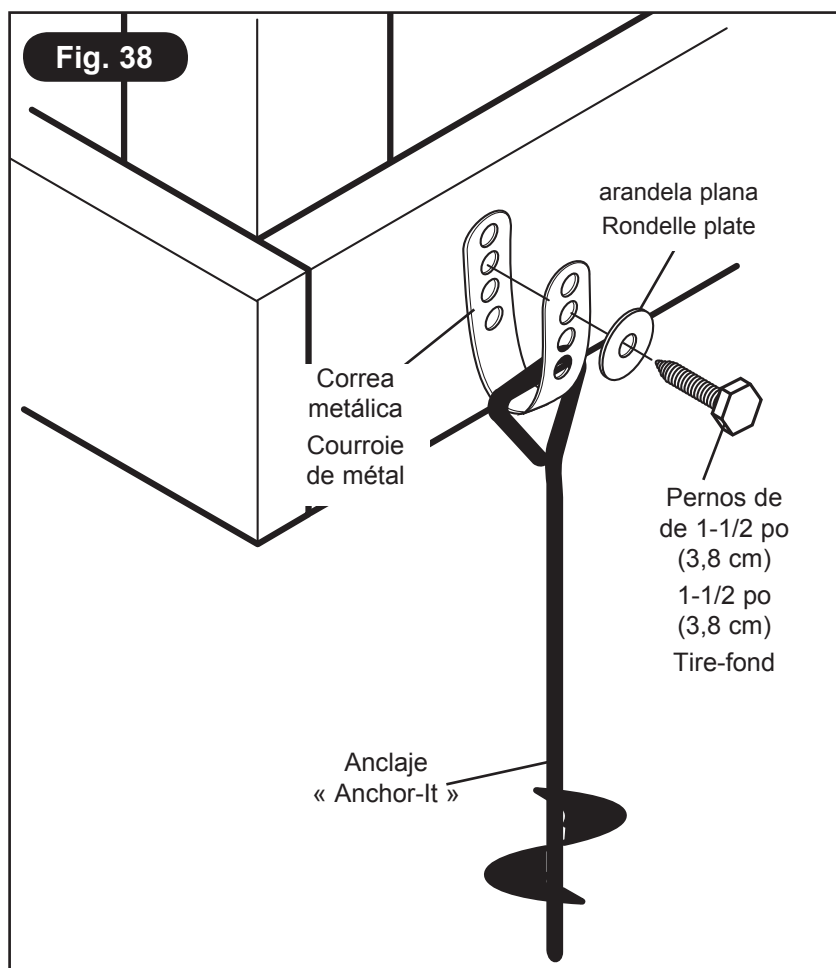
Remarque :

Lorsqu'il est bien installé, le fil est orienté vers le bas.

Nota:

Para realizar una instalación correcta, la rosca debe estar en la parte inferior.

Anclaje/« Anchor-It »



Y. Instalación del anclaje.

Instrucciones para anclar los centros de actividades Swing•N•Slide

1. Determine la ubicación final de su centro de actividades.
2. Coloque las estacas de anclaje adyacentes a la base y cerca de las esquinas de su centro de actividades (en la parte inferior de las patas del conjunto de columpios) y gire las estacas como un taladro en el suelo hasta que sólo se vea el bucle.
3. Coloque la correa metálica a través del bucle de la estaca de anclaje y asegúrela a la unidad con un tornillo de compresión y una arandela como se ilustra a la derecha. Nota: fije la correa a la unidad con la menor holgura posible usando los orificios de la correa que mejor resulten.

Y. Installation du « Anchor-It ».

Instructions relatives à l'ancrage du centre de jeu Swing•N•Slide

1. Déterminez l'emplacement final de votre centre de jeu.
2. Placez les piquets d'ancrage « Anchor-It » de manière adjacente au cadre et près des coins de votre centre de jeu (au bas des pattes du portique) et tournez les piquets à tarière dans le sol jusqu'à ce que seul l'anneau demeure hors du sol.
3. Placez la sangle de métal dans l'anneau du piquet « Anchor-It » et fixez-le solidement à l'unité à l'aide d'un tire-fond et d'une rondelle comme illustré à la droite. Remarque : fixez la sangle à l'unité et laissez le moins de jeu possible en utilisant les trous de la sangle qui conviennent le mieux.

Filet d'escalade Cargo

MONTAJE LATERAL OPCIÓN 1

MONTAGE LATÉRAL OPTION 1

TABLAS NECESARIAS: / **PIÈCES DE BOIS REQUISES.**

(se venden por separado) / (vendu séparément)

CANTIDAD/ QUANTITÉ **DESCRIPCIÓN/ DESCRIPTION**

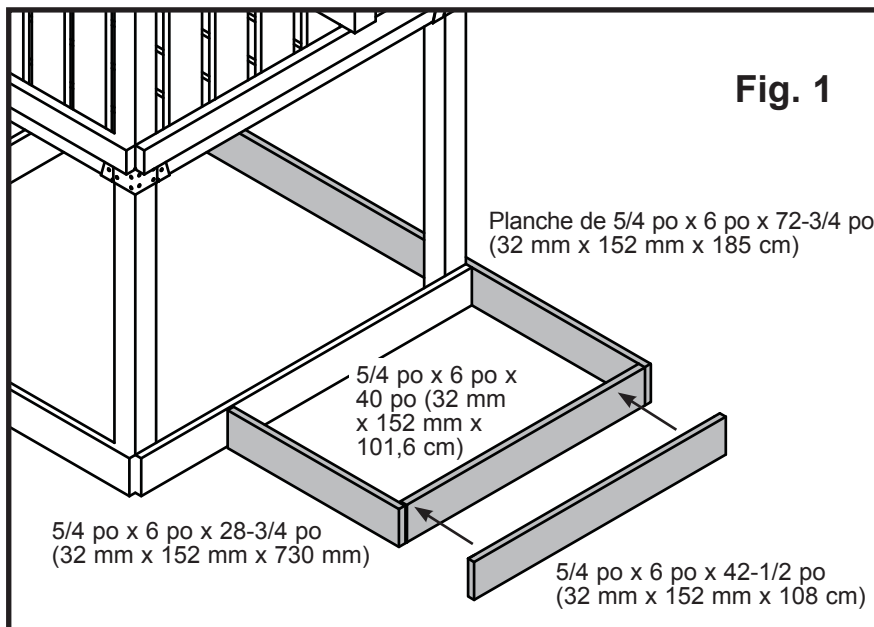
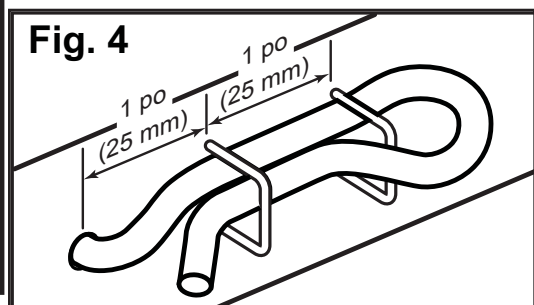
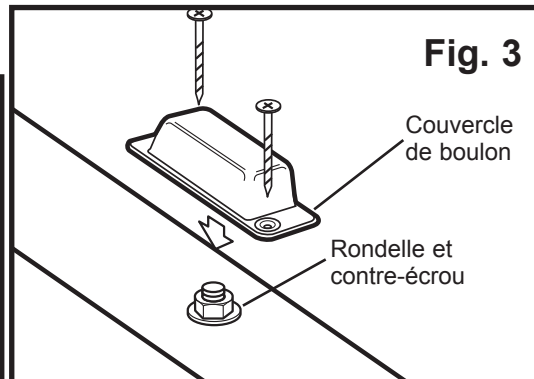
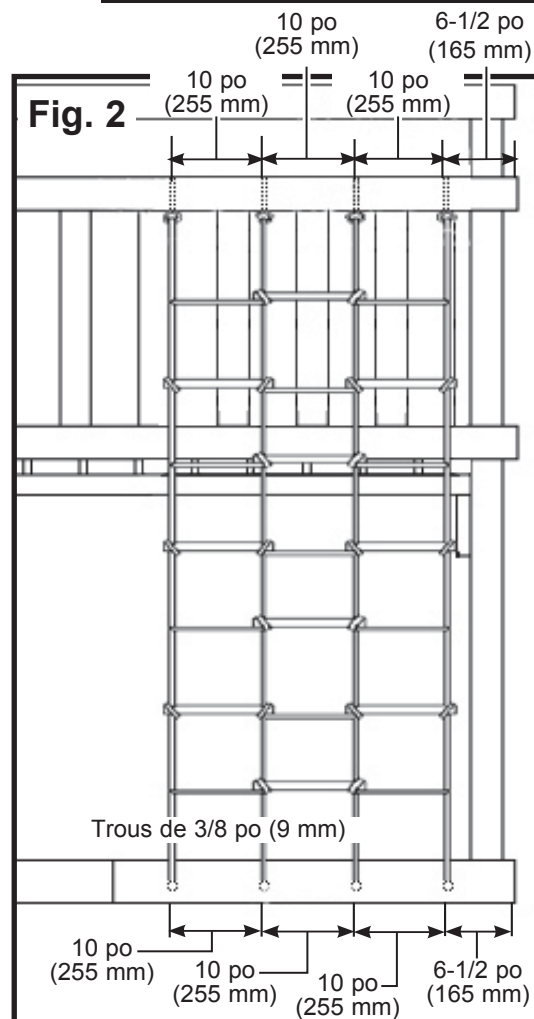
2 5/4 po x 6 po x 10 pi (3,2 x 15,2 x 304,8 cm)

INSTRUCCIONES

1. Corte una de 5/4 x 6 x 72-3/4 po (3,2 x 15,2 x 185 cm). Corte una de 5/4 x 6 x 40 po (3,2 x 15,2 x 101,6 cm) y 42-1/2 po (108 cm). Corte las restantes de 5/4 x 6 x 28-3/4 po (3,2 x 15,2 x 73 cm).
2. Retire la tabla base de la unidad. **NOTA:** Guarde los elementos de ferretería, ya que se usarán luego.
3. Fije la tabla de 5/4 x 6 x 72-3/4 po (3,2 x 15,2 x 185 cm) a la base como se indica en la **Fig. 1** usando cuatro (4) tornillos de 2-1/2 po (6,4 cm) y un (1) tornillo de compresión de 2 po (5,1 cm) en cada junta.
4. Fije la tabla restante a la unidad como se muestra en la **Fig. 1** usando tres tornillos de 2-1/2 po (6,4 cm) por junta.
5. Taladre cuatro agujeros de 3/8 po (0,9 cm) en la tabla superior y cuatro agujeros de 3/8 po (0,9 cm) en la inferior como se indica en la **Fig. 2**. **NOTA:** Taladre desde la parte inferior de la tabla de 2 x 4 po (5,1 x 10,2 cm) hasta la parte superior. Inserte los cáncamos de la Cargo Net a través de los agujeros de la tabla superior y asegúrelos usando una agarradera de viga, una arandela y una contratuerca (ver **Fig. 3**).
NOTA: Usando una sierra para metales, retire las partes sobrantes del cáncamo tan cerca de la contratuerca como sea posible.
6. Coloque las cubiertas sobre los pernos como se indica en la **Fig. 3**. Asegure las cubiertas de los pernos usando tornillos de 2 po (5,1 cm).
7. Coloque dos grapas de cuerda como se indica en la **Fig. 4**. Inserte la Cargo Net a través de los agujeros de la base y pásela a través de las grapas como se muestra en la (**Fig. 4**). Apriétela y asegúrela golpeando las grapas firmemente contra la base.

INSTRUCTIONS

1. Coupez une planche de 5/4 x 6 x 72-3/4 po (3,2 x 15,2 x 185 cm). Coupez une planche de 5/4 x 6 x 40 po et 42-1/2 po (3,2 x 15,2 x 102 cm et 108 cm). Coupez une dernière planche de 5/4 x 6 x 28-3/4 po (3,2 x 15,2 x 73 cm).
2. Enlevez le cadre actuel de l'unité. **REMARQUE :** conservez les fixations puisqu'elles seront réutilisées.
3. Attachez la planche de 5/4 x 6 x 72-3/4 po (3,2 x 15,2 x 185 cm) à la base tel qu'indiqué à la (**Fig. 1**) à l'aide de quatre (4) vis de 2-1/2 po (64 mm) et un (1) tire-fonds de 2 po (51 mm) à chaque joint.
4. Fixez les pièces de bois restantes à l'unité tel qu'illustré à la (**Fig. 1**) à l'aide de trois vis de 2-1/2 po (64 mm) par joint.
5. Percez quatre trous de 3/8 po (9 mm) dans une planche du haut et quatre trous de 3/8 po (9 mm) dans la planche du bas tel qu'illustré dans la (**Fig. 2**). **REMARQUE :** percez la planche de 2 x 4 po (51 x 102 mm) du bas vers le haut. Insérez les boulons à oeillette du filet d'escalade Cargo dans les trous de la planche supérieure et fixez chacun d'entre eux solidement à l'aider d'un attache-support, rondelle et contre-écrou (voir **Fig. 3**).
REMARQUE : à l'aide d'une scie à métal, rognez les filets du boulon à oeillette excédentaires aussi près que possible du contre-écrou.
6. Placez les couvercles de boulon sur les boulons tel qu'illustré à la **Fig. 3**. Fixez solidement les couvercles de boulon à l'aide de vis de 2 po (50 mm).
7. Placez deux crampons à cordage tel qu'illustré à la (**Fig. 4**). Enfillez le filet d'escalade Cargo dans les trous du cadre et faire une boucle à travers les crampons tel qu'illustré à la (**Fig. 4**). Tirez fermement et fixez solidement en martelant les crampons contre le cadre.



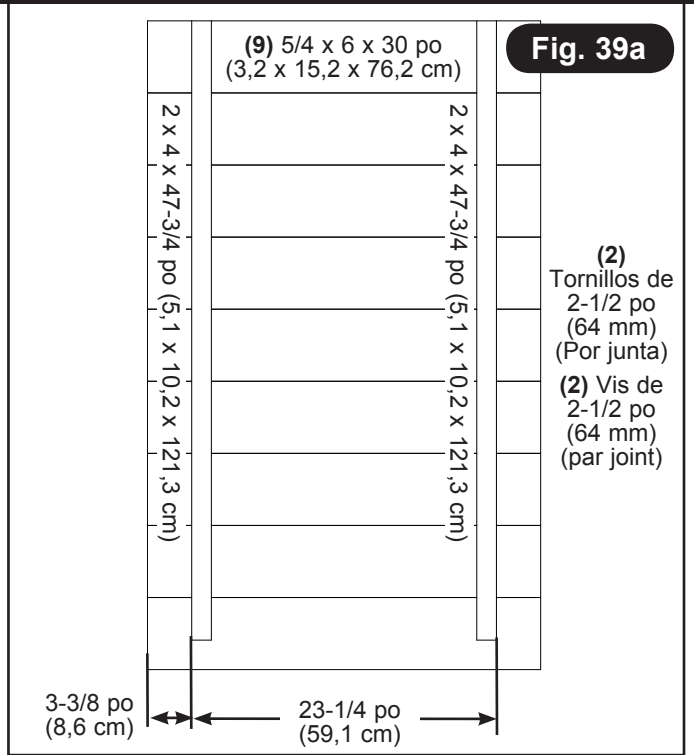
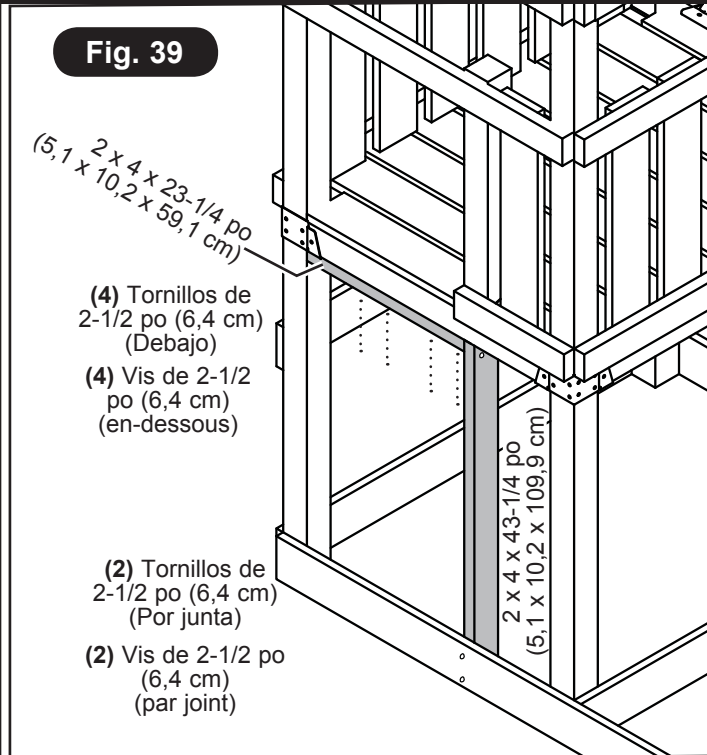
Proyecto 612 Solamente-Projet 612 Seulement

Opción n°2 de entrada al frente

(ver página 34 para la opción n° 1 de entrada al frente para el ensamblaje de la escalera).

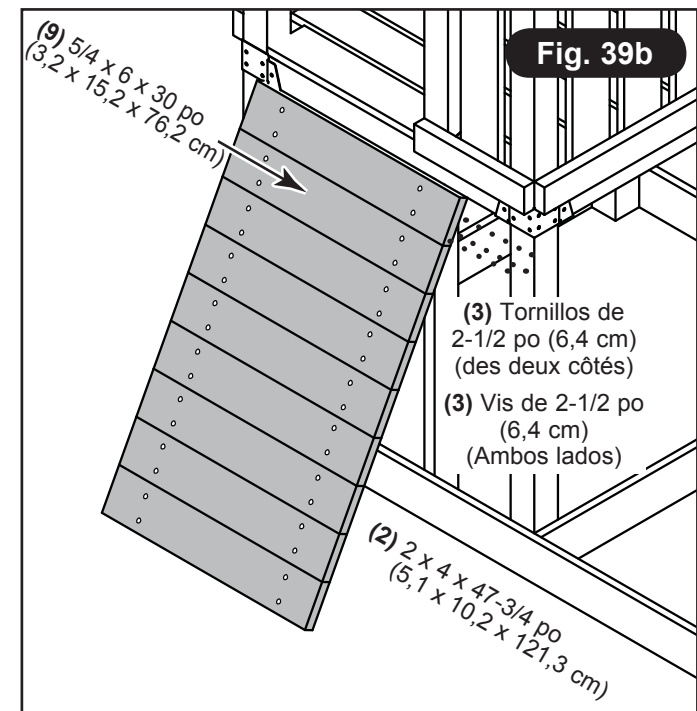
Option no 2 ouverture avant

(voir page 32 pour ensemble d'échelle, option no 1 ouverture avant)



Tornillo de 2-1/2 po (6,4 cm)

Vis de 2-1/2 po (6,4 cm)



NOTA:

La pared de escalada de 4 pi (121,9 cm) requerirá como mínimo 8 rocas de poiescalada (2) bolsas de rocas de escalada NE 4543S.

REMARQUE :

le mur d'escalade de 4 pi (121,9 cm) requiert un minimum de huit (8) blocs d'escalade Deux (2) sacs de blocs d'escalade NE 4543S.

T. Pared de escalada

- (1) 2 po x 4 po x 8 pi ••••• (2) 2 x 4 x 47-3/4 po (5,1 x 10,2 x 243,8 cm) (5,1 x 10,2 x 121,3 cm)
- (1) 2 po x 4 po x 8 pi ••••• (1) 2 x 4 x 43-1/4 po (5,1 x 10,2 x 243,8 cm) (5,1 x 10,2 x 109,9 cm) (1) 2 x 4 x 23-1/4 po (5,1 x 10,2 x 59,1 cm)
- (3) 5/4 po x 6 po x 10 pi ••••• (3) 5/4 x 6 x 30 po (3,2 x 15,2 x 304,8 cm) (3,2 x 15,2 x 76,2 cm)

- Ensamble e instale el marco y el cuerpo de la pared de escalada como se muestra en las (Fig. 39) y (Fig. 39a).
 - Fije (9) tablas de 5/4 x 6 po (3,2 x 15,2 cm) a (2) tablas de 2 x 4 po (5,1 x 10,2 cm) e instálas en la unidad como se muestra en la (Fig. 39b).
 - Use un lápiz para marcar el lugar donde quiera instalar las rocas de escalada. Revise dos veces el espaciado y asegure la roca en cada lugar.
- Nota:** Asegúrese de que los soportes de 2 x 4 po (5,1 x 10,2 cm) no interfieran con el montaje de las rocas de escalada.
- Assemblez et installez le cadre et le corps du mur d'escalade comme illustré aux (Fig. 39) et (Fig. 39a).
 - Fixez (9) planches de 5/4 x 6 po (3,2 x 15,2 cm) aux (2) planches de 2 x 4 po (5,1 x 10,2 cm) et installez sur l'unité tel qu'illustré à la (Fig. 39b).
 - Utilisez un crayon pour marquer les endroits où vous voulez installer les rochers d'escalade. Vérifiez deux fois votre écartement et fixez solidement les rochers à leur emplacement. **Remarque :** s'assurer que les supports à 2 x 4 po (5,1 x 10,2 cm) ne gênent pas le montage des rochers rocks.



***Des questions ???...
Communiquez avec notre département
du service à la clientèle
au 1-800-888-1232***

Visitez le <http://www.swing-n-slide.com/planupdates.htm>
pour des mises à jour sur ces instructions.